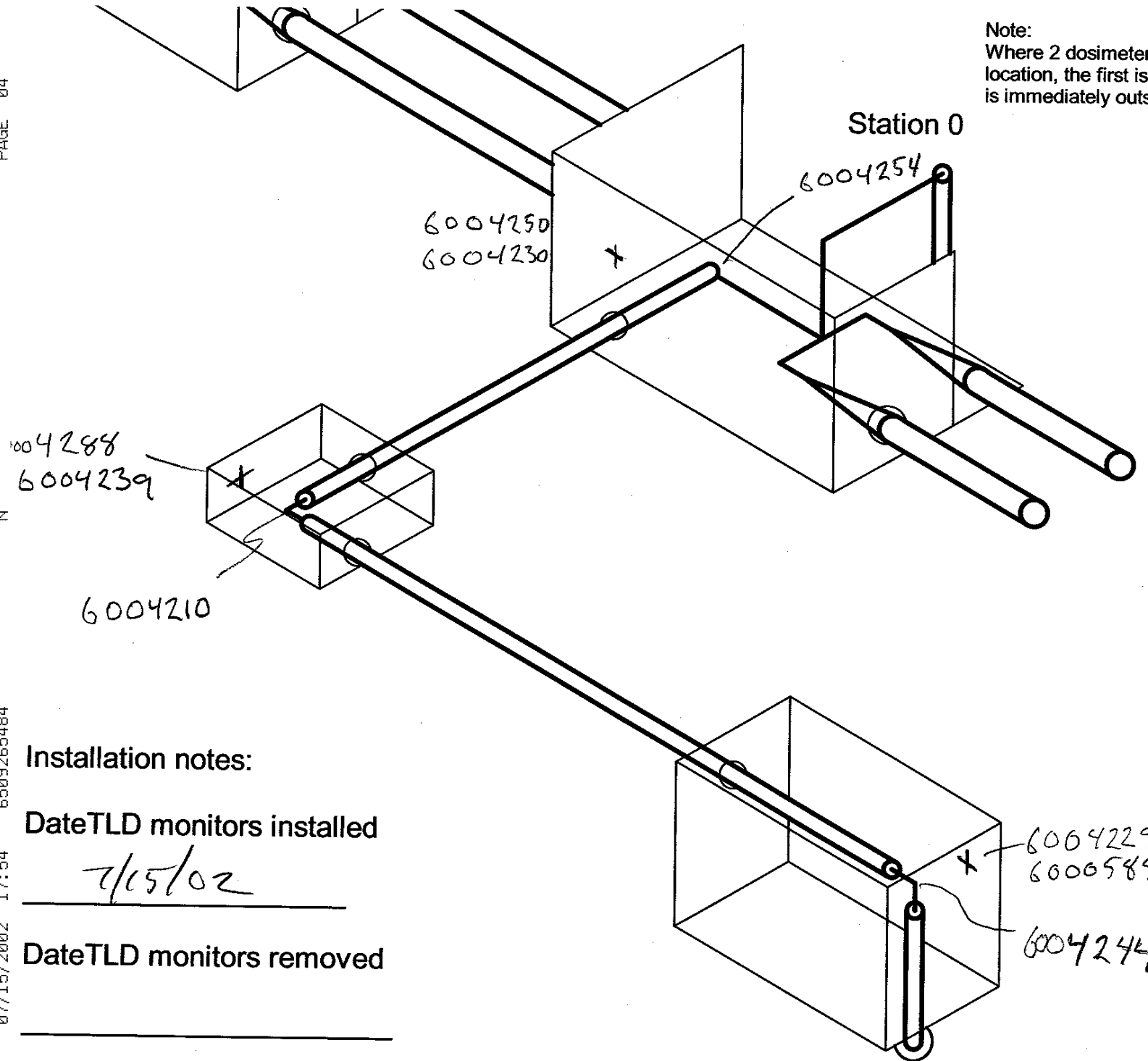


Note:
Where 2 dosimeters are listed on a lead wall location, the first is at the inside and the second is immediately outside



Installation notes:

Date TLD monitors installed

7/15/02

Date TLD monitors removed

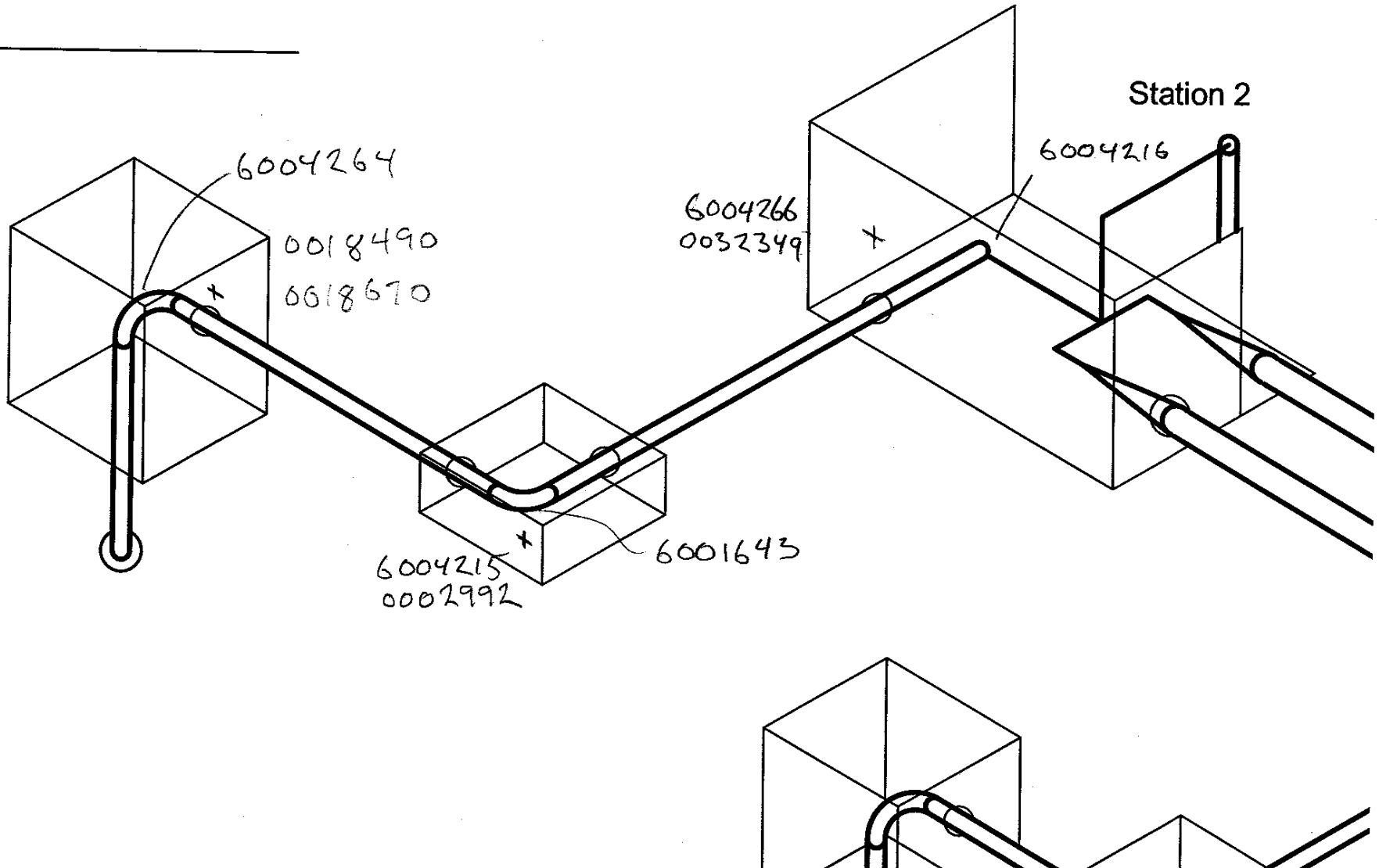
Installation notes:

Date TLD monitors installed

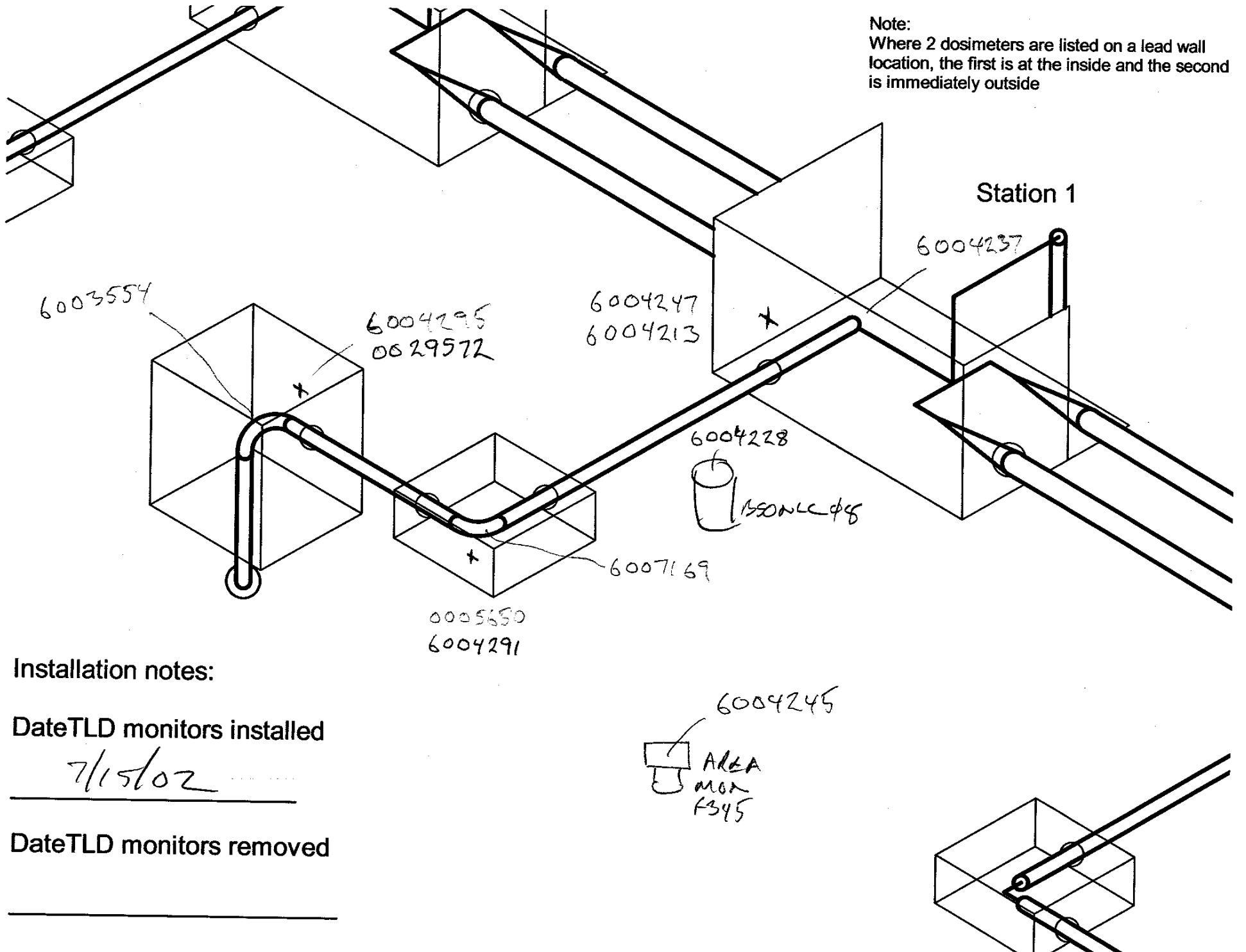
7/15/02

Date TLD monitors removed

Note:
Where 2 dosimeters are listed on a lead wall location, the first is at the inside and the second is immediately outside



Note:
Where 2 dosimeters are listed on a lead wall location, the first is at the inside and the second is immediately outside



Installation notes:

Date TLD monitors installed

7/15/02

Date TLD monitors removed

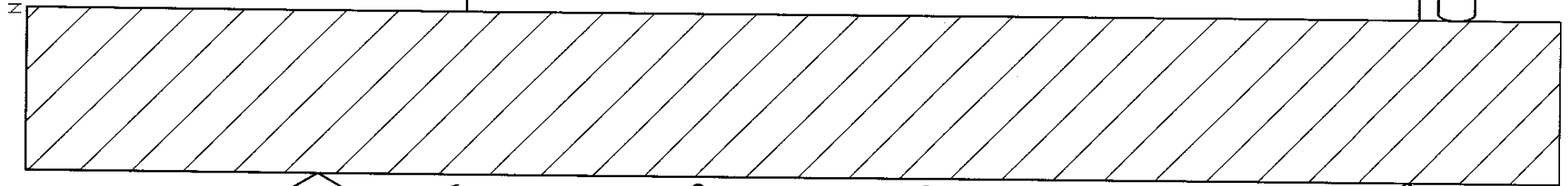
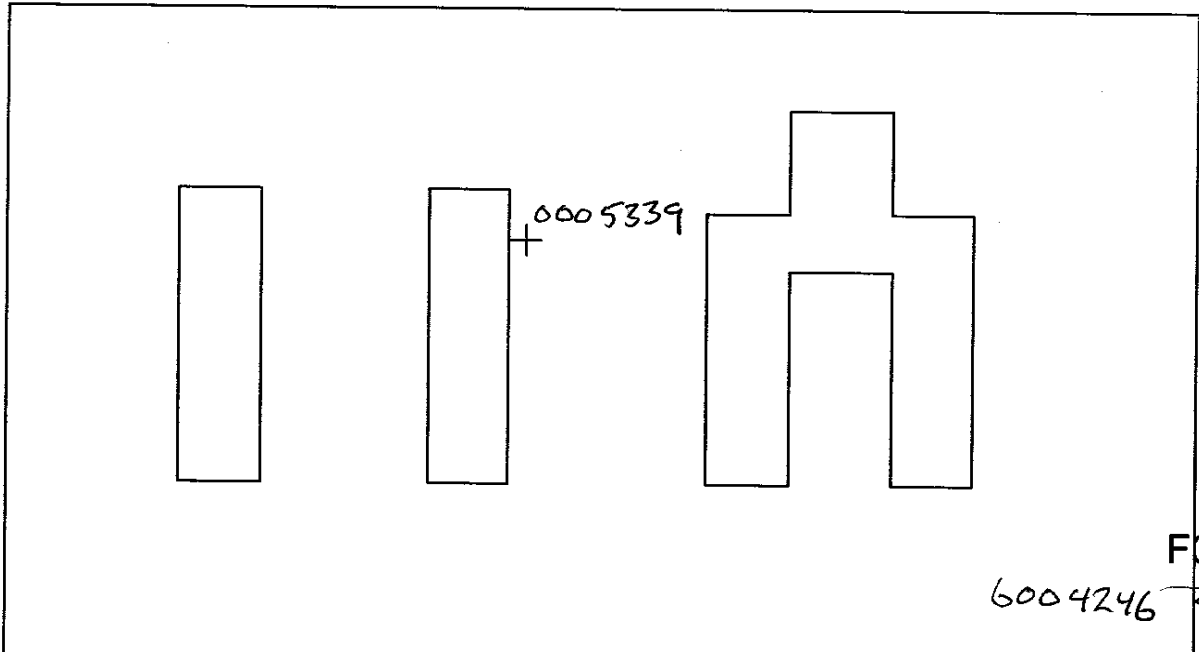
6004245
AREA
MON
F345

Installation notes:

Date TLD monitors installed

7/15/02

Date TLD monitors removed



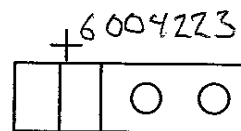
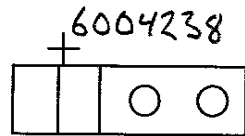
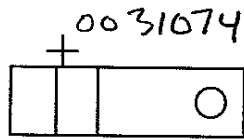
F34-A 17315

6001616

6004242

6003228

F34-U 6003671



F34-U