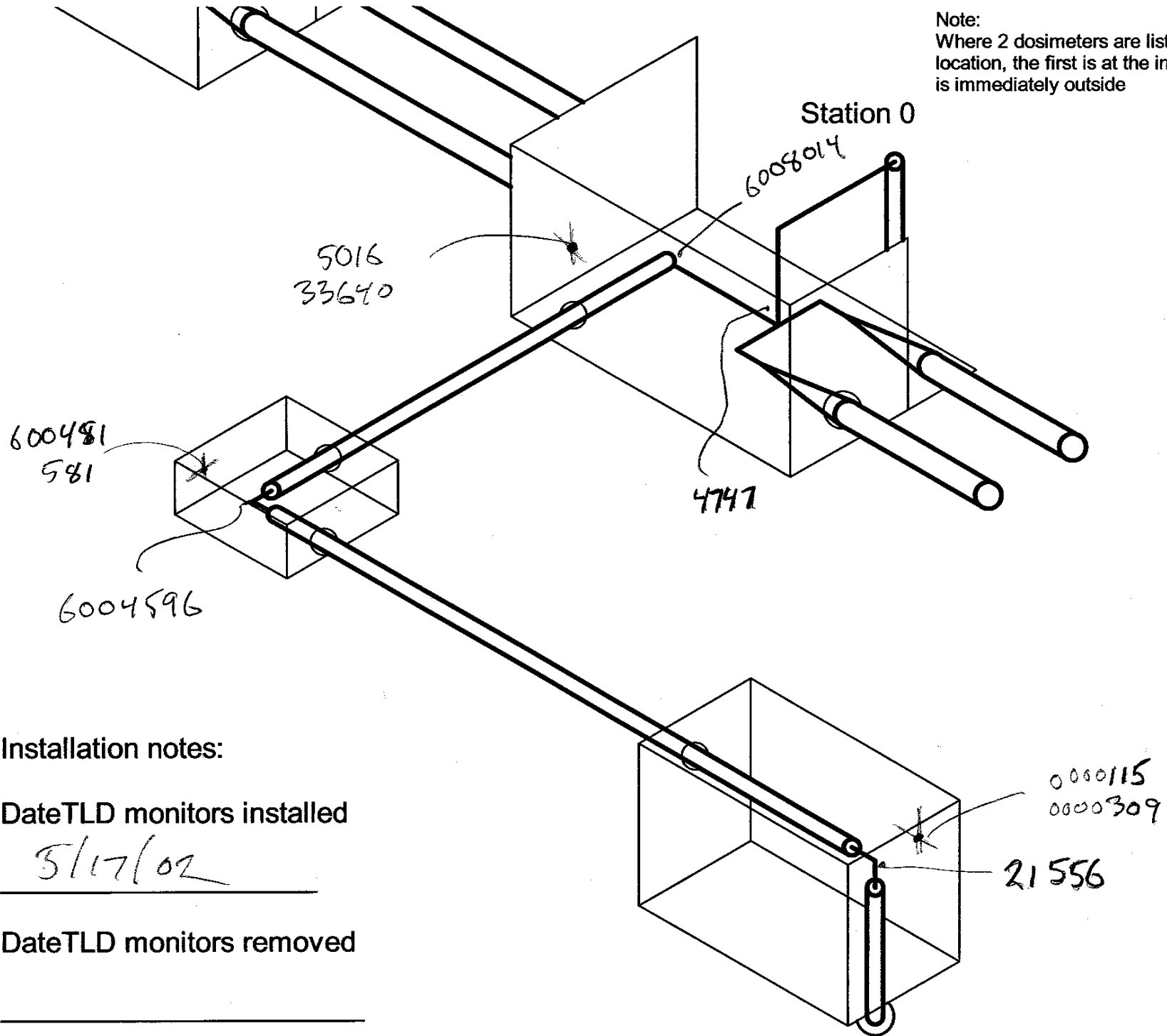


Note:
Where 2 dosimeters are listed on a lead wall location, the first is at the inside and the second is immediately outside



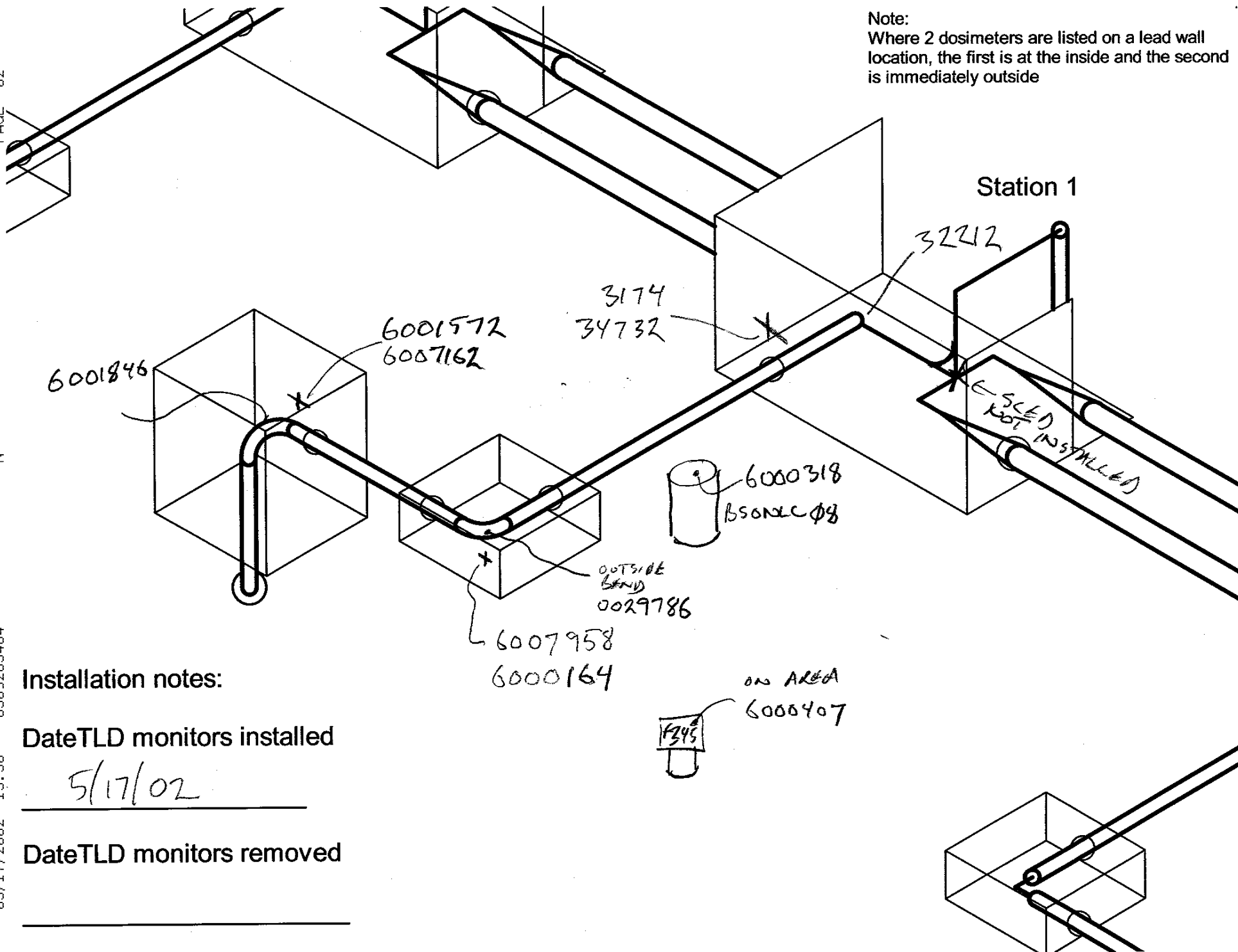
Installation notes:

Date TLD monitors installed

5/17/02

Date TLD monitors removed

Note:
Where 2 dosimeters are listed on a lead wall location, the first is at the inside and the second is immediately outside



6001846
6001572
6007162

3174
34732

Station 1

32212

6000318
B50NLC Ø8

OUTSIDE
BAND
0029786

6007958
6000164

on AREA
6000407

F245

E-SCREEN
NOT
INSTALLED

Installation notes:

Date TLD monitors installed

5/17/02

Date TLD monitors removed

Installation notes:

Date TLD monitors installed

5/17/02

Date TLD monitors removed

Note:

Where 2 dosimeters are listed on a lead wall location, the first is at the inside and the second is immediately outside

