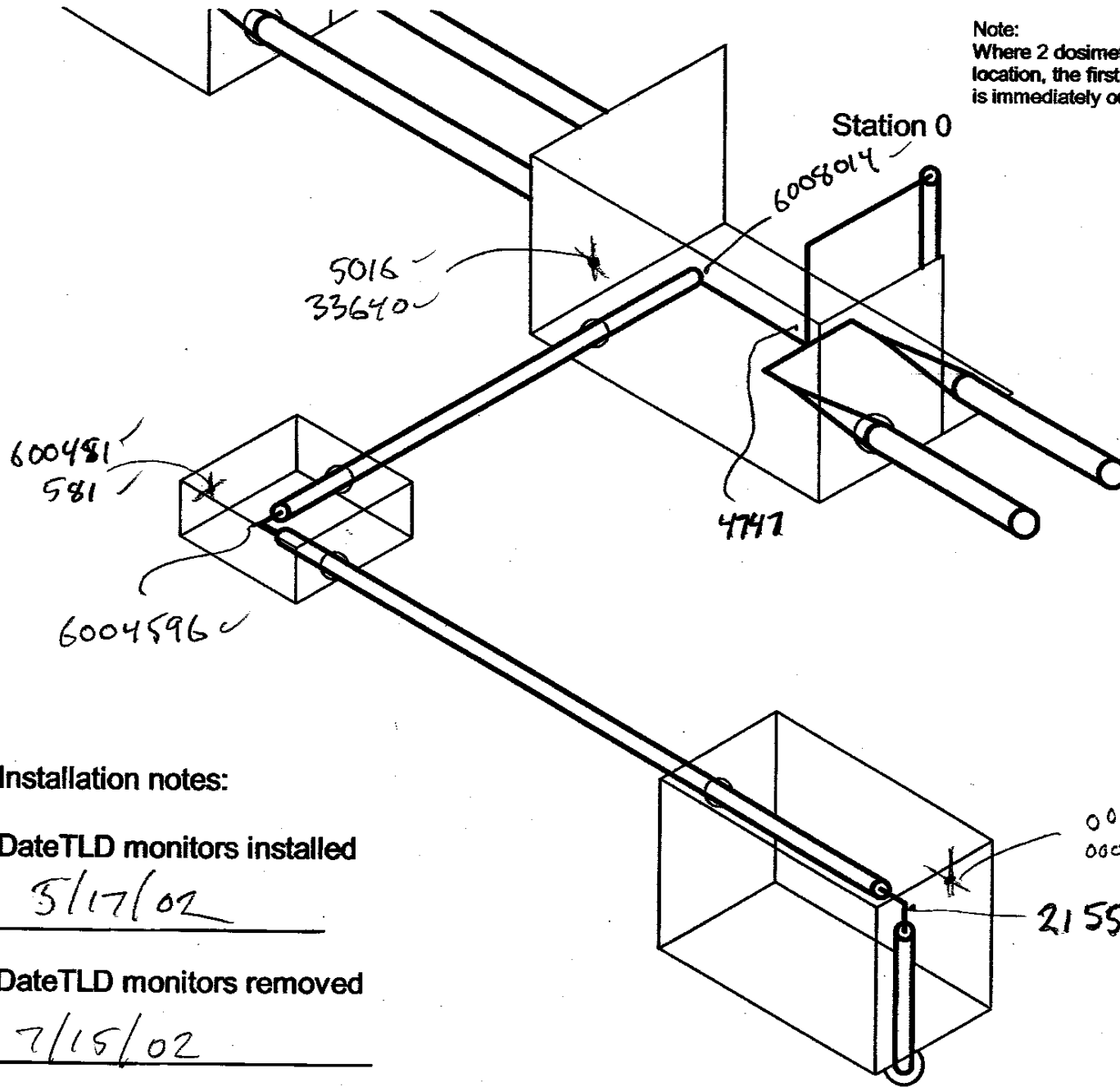


Note:
Where 2 dosimeters are listed on a lead wall location, the first is at the inside and the second is immediately outside



Installation notes:

Date TLD monitors installed

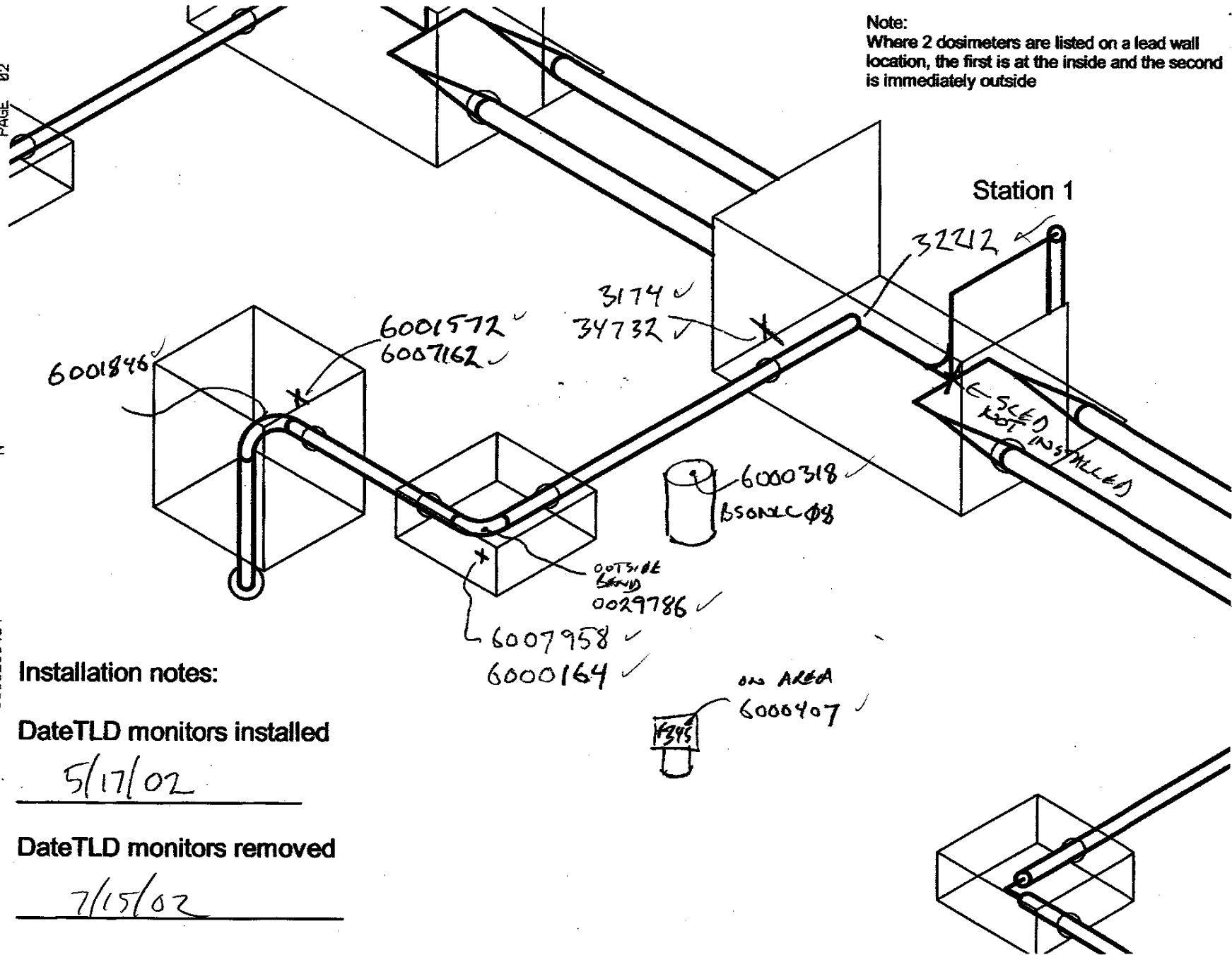
5/17/02

Date TLD monitors removed

7/15/02

Note:
Where 2 dosimeters are listed on a lead wall location, the first is at the inside and the second is immediately outside

N N



Installation notes:

Date TLD monitors installed

5/17/02

Date TLD monitors removed

7/15/02

Installation notes:

Date TLD monitors installed

5/12/02

Date TLD monitors removed

2/15/02

Note:

Where 2 dosimeters are listed on a lead wall location, the first is at the inside and the second is immediately outside

