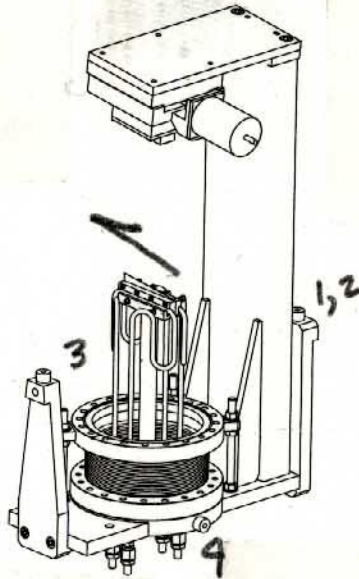


SSRL
BL4 BPM

5-3-07

no



	X	Y	Z
1	-8.271	-1.949	441.784
2	-8.260	-1.928	445.730
3	+7.869	-1.967	443.852
4	+ .374	-12.280	438.285

SSRL CLEANROOM
BL4 BPM
LAB DATA

5-3-07
J.M., L.G.

(X) BUCKED IN ON GRAPHITE BLADE

20.000 = ϵ OF G.B.

- .340 to WIGGER LINE

20.340 = W.L.

51.000 BUCK IN

-30.660 LOS

1) 21.389

1.000

22.389

30.660

-8.271

2) 21.400

1.000

22.400

30.660

-8.260

4) 30.034

1.000

31.034

30.660

+ .374

3) 19.158

19.371

38.529

30.660

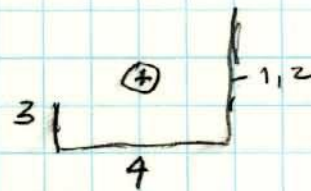
+7.869

SSRL CLEANROOM
BL 4 BPM
LAB DATA

5-3-07
J.M., L.G.

① PITCH ON BLADE (GRAPHITE) = .00394"

(-) .018 DIS END	(+) .013	
16.607 REF.	16.607	
<u>16.589</u> DIS ON REF	<u>16.594</u>	
.394 to u/s END OY	.394	
<u>16.195</u> S/R	<u>16.200</u> S/R	
	+ .197 to GRAPHITE BLADE	
	<u>16.397</u> = ϕ	
	16.195 GUNZ	
	<u>.202</u> HI	



1) .747	2) .726	3) .765	4) 11.078
1.000	1.000	1.000	1.000
<u>-1.747</u>	<u>-1.726</u>	<u>-1.765</u>	<u>-12.078</u>
-.202	-.202	-.202	-.202
<u>-1.949</u>	<u>-1.928</u>	<u>-1.967</u>	<u>-12.280</u>

SSRL CLEAN ROOM
BL4 BPM
LAB DATA

5-3-07
J.M., L.G.

$$\begin{array}{r} \textcircled{Z} \quad 3.94 / 2 = 1.970 \\ \quad \quad - 20.461 \\ \hline \quad \quad -22.431 \text{ LOS} \end{array}$$

$$\bar{z} = 11.27 \text{ m} = 443.701''$$

1) 19.514	2) 23.460	3) 21.582	4) 16.015
$\frac{19.514}{1.000}$	$\frac{23.460}{1.000}$	$\frac{21.582}{1.000}$	$\frac{16.015}{1.000}$
20.514	24.460	22.582	17.015
22.431	22.431	22.431	22.431
-1.917	+2.029	+1.151	-5.416
443.701	443.701	443.701	443.701
441.784	445.730	443.852	438.285