

# Fid. Data Summary for 145D-2 Rafts

145D-62

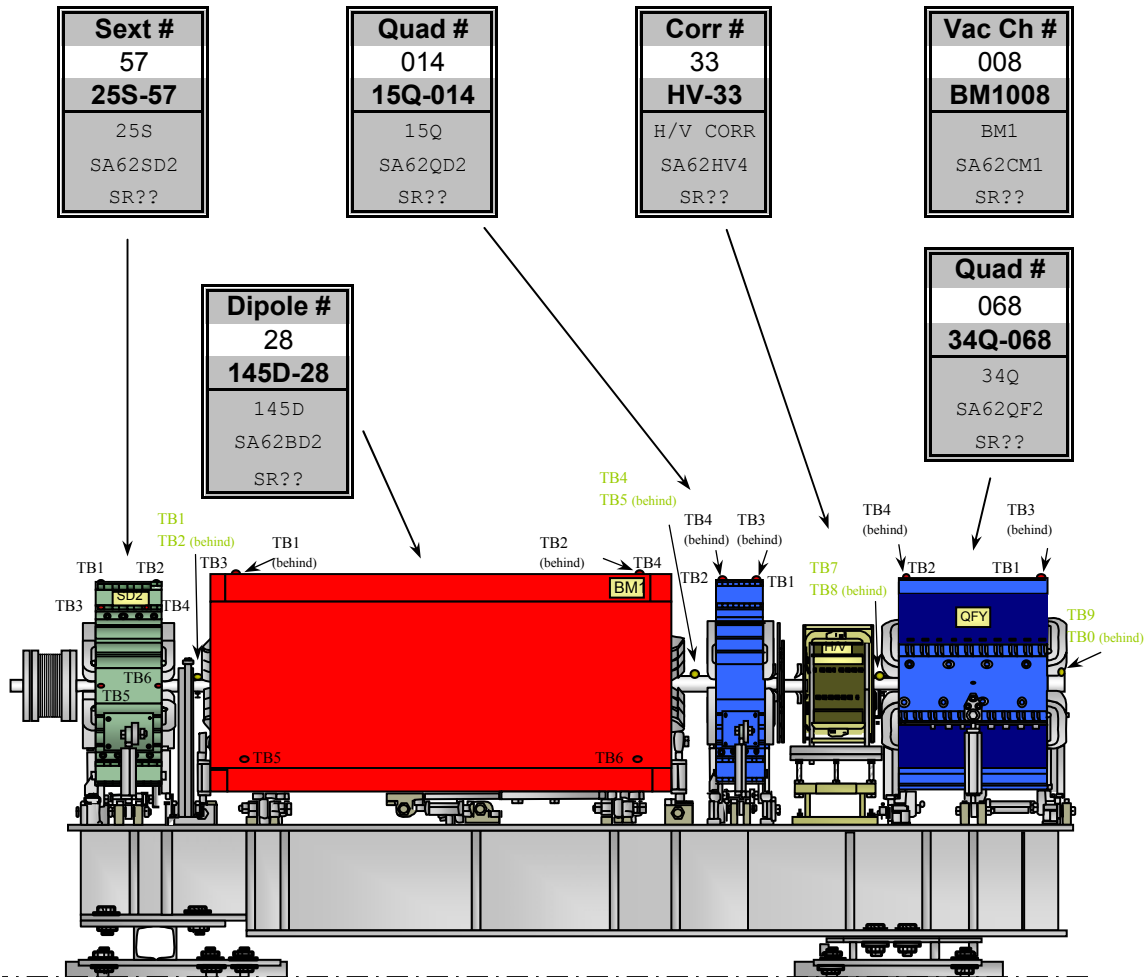
## Raft Description:

Date May 22, 2002

<b>Raft #</b> 62 145D-62	<b>Type</b> 2 145D T-2	<b>Bld. 750 Name</b> SA62	<b>S3 Ring Name</b> SR??
--------------------------------	------------------------------	------------------------------	-----------------------------

### Notes:

The above date represents the latest fiducial date of all components listed below.

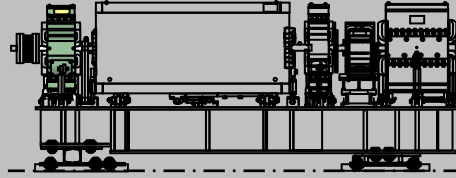


**Sextupole: Fiducial Values for 25S Sextupole**

Fiducial	Z	X	Y
TB1	-4.241	4.220	15.509
TB2	4.287	4.212	15.506
TB3	-4.408	-10.515	12.534
TB4	3.480	-10.514	12.532
TB5	-4.589	-15.065	0.081
TB6	4.494	-15.063	0.050

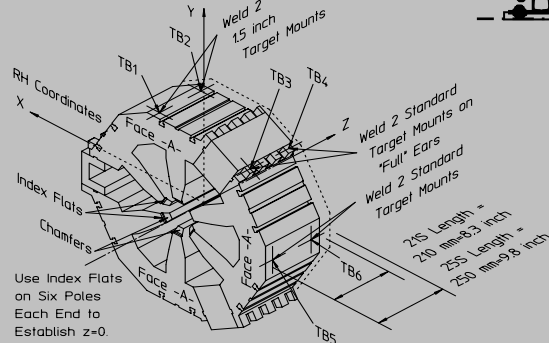
inches          inches          inches

**SEXTUPOLE  
25S-57**



SA62SD2  
SR??

7/11/01



**Description:**

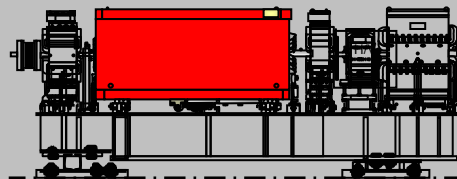
Fiducials based on values posted on web-page. (Check for updates.)

**Gradient Dipole: Fiducial Values for Dipole (145D)**

Fiducial	Z	X	Y
TB1	-26.544	3.461	17.001
TB2	26.524	3.433	16.997
TB3	-26.560	-22.410	16.995
TB4	26.549	-22.403	16.999
TB5	-26.562	-24.239	-11.641
TB6	26.450	-24.247	-11.658

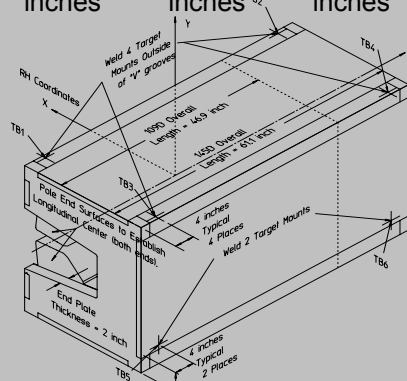
inches          inches          inches

**GRADIENT DIPOLE  
145D-28**



SA62BD2  
SR??

10/31/01



**Description:**

Fiducials based on values posted on web-page. (Check for updates.)

**Quadrupole: Fiducial Values for Upstream (15Q) Quadrupole**

Fiducial	Z	X	Y
TB1	-2.580	11.248	16.199
TB2	2.581	11.261	16.205
TB3	-2.578	-11.257	16.198
TB4	2.581	-11.256	16.199
TB5	-1.522	-15.202	-4.811
TB6	2.419	-15.202	-4.818

inches inches inches

Weld 4 Target Mounts Outside of "V" grooves

Manifolds on Aisle Side Weld 2 Target Mounts on "Full" Ears

SA62QD2  
SR??

**8/8/01**

**Description:**  
Fiducials based on values posted on web-page. (Check for updates.)

**H/V Corrector: Fiducial Values for Corrector**

Fiducial	Z	X	Y
1	-0.003	-0.323	-10.196
2	-0.002	-10.046	-10.205
A	0.000	-20.003	0.000
B	0.000	-20.003	0.000
C	0.000	-20.003	0.000
D	0.000	-20.003	0.000
E	0.000	0.000	17.935
F	0.000	0.000	17.935

inches inches inches

Weld 4 Target Mounts Outside of "V" grooves

Manifolds on Aisle Side Weld 2 Target Mounts on "Full" Ears

SA62HV4  
SR??

**No Date**

**Description:**  
Fiducials based on known nominal values.

**Quadrupole: Fiducial Values for Downstream (34Q) Quadrupole**

Fiducial	Z	X	Y
TB1	-6.317	11.244	16.203
TB2	6.232	11.231	16.218
TB3	-6.308	-11.260	16.204
TB4	6.319	-11.263	16.203
TB5	-5.201	-15.201	-4.931
TB6	4.603	-15.198	-4.825

inches inches inches

QUADRUPOLE  
**34Q-068**

SA62QF2  
SR??

**7/5/01**

**Description:**  
Fiducials based on values posted on web-page. (Check for updates.)

**Vacuum Chamber: Fiducial Values for BM1 Vacuum Chamber**

Fiducial	Z	X	Y
TB1	-34.847	1.547	4.379
TB2	-34.820	8.498	4.397
TB3	10.980	4.211	2.318
TB4	34.574	-5.014	4.375
TB5	36.641	6.197	4.356
TB6	52.460	-1.888	2.291
TB7	55.625	-11.189	3.088
TB8	59.431	8.943	3.031
TB9	74.717	-20.296	4.417
TB0	76.941	-8.226	4.425

inches inches inches

VACUUM CHAMBER  
**BM1008**

SA62CM1  
SR??

**5/22/02**

**Description:**  
Fiducials based on values posted on web-page. (Check for updates.)

**Building 750 Deck: Positions of Component Origins**

750 Name	Z	X	Y	Yaw
SA62SD2	1.367	-3.500	0.000	0.0000
SA62CM1	2.450	-3.500	0.000	0.0000
SA62BD2	2.447	-3.534	0.000	-5.2941
SA62QD2	3.485	-3.694	0.000	-10.5882
SA62QF2	4.114	-3.811	0.000	-10.5882
	meters	meters	meters	degrees

Date of Deck File:

**145D-62**

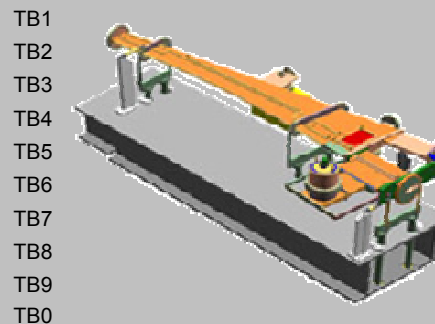
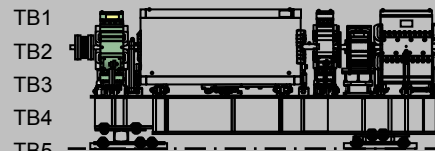
Location of Raft:

**Description:**

Deck coordinates representing origin of the specific component's coordinate system.

**Building 750 As-Built: (TABLE 1 of 2)**

750 Name	delta Z	delta X	delta Y (delta H)
SA62SD2	-0.001	-0.002	-0.002
	-0.005	0.000	-0.002
	0.006	-0.011	0.002
	0.004	-0.001	0.002
	0.007	0.000	0.000
	0.005	-0.003	0.001
SA62CM1	0.006	-0.001	-0.001
	0.000	-0.002	-0.002
	-0.009	-0.001	-0.010
	0.002	0.002	0.000
	-0.002	-0.003	-0.006
	-0.002	-0.003	-0.010
	0.000	-0.001	-0.005
	-0.003	-0.004	-0.015
	0.005	0.001	0.001
	0.003	-0.001	-0.002
	inches	inches	inches



Latest File Date:

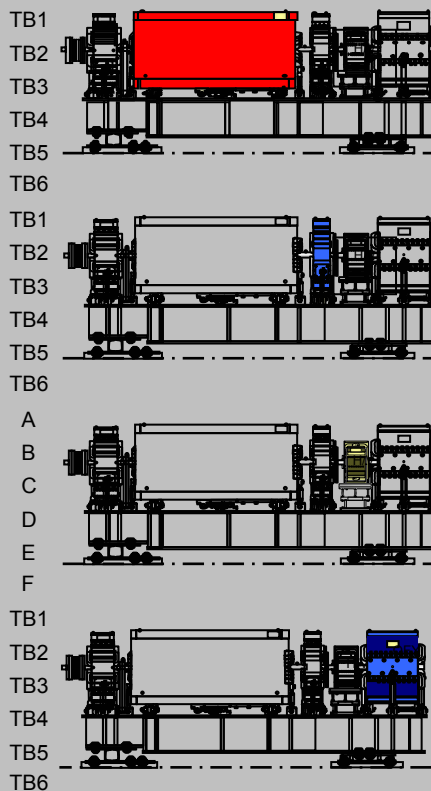
**145D-62**

**Description:**

Values representing the difference between the design and actual fiducial measurements.

**Building 750 As-Built: (TABLE 2 of 2)**

750 Name	delta Z	delta X	delta Y ( delta H )
SA62BD2	0.002	-0.004	-0.004
	-0.003	-0.002	0.002
	0.001	0.001	0.001
	-0.004	-0.003	0.001
	0.003	0.000	0.003
	-0.005	-0.003	0.006
SA62QD2	0.007	-0.004	-0.002
	0.005	-0.008	-0.002
	0.004	-0.004	0.002
	0.009	0.000	0.004
	0.000	0.000	0.000
	0.015	0.004	0.004
SA62HV4		-0.002	
		-0.005	
		-0.005	
		-0.009	
			0.010
SA62QF2			0.010
	-0.011	-0.011	0.000
	-0.011	-0.005	0.003
	-0.002	-0.001	-0.002
	-0.006	-0.001	0.001
	0.006	0.000	-0.002
	0.001	0.000	-0.001
	inches	inches	inches



Latest File Date: December 6, 2002

**145D-62**

**Description:**

*Values representing the difference between the design and actual fiducial measurements.*