

Fid. Data Summary for 145D-2 Rafts

145D-60

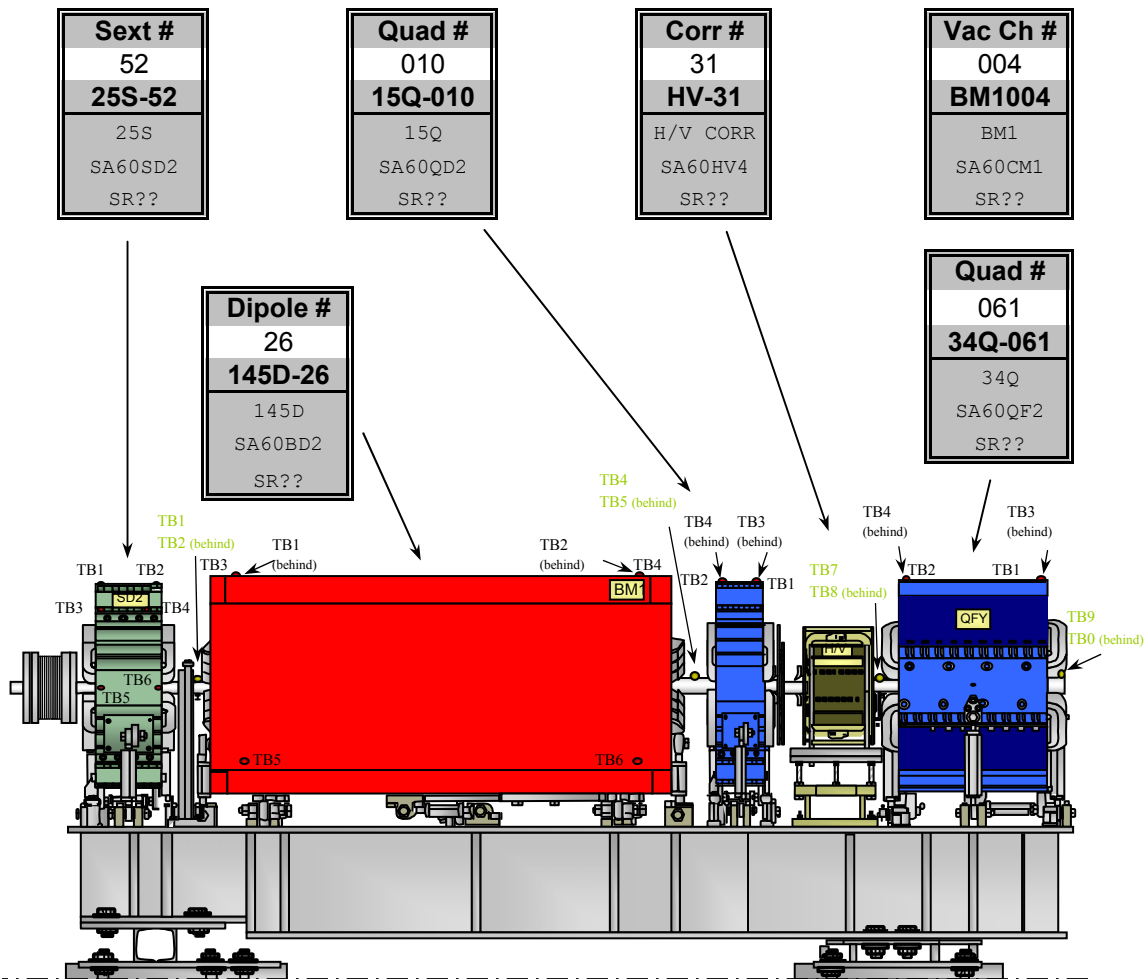
Raft Description:

Date April 26, 2002

Raft # 60 145D-60	Type 2 145D T-2	Bld. 750 Name SA60	S3 Ring Name SR??
--------------------------------	------------------------------	------------------------------	-----------------------------

Notes:

The above date represents the latest fiducial date of all components listed below.



Sextupole: Fiducial Values for 25S Sextupole

Fiducial	Z	X	Y
TB1	-4.332	4.218	15.505
TB2	4.301	4.206	15.509
TB3	-4.384	-10.516	12.529
TB4	3.461	-10.513	12.531
TB5	-4.267	-15.063	0.042
TB6	4.253	-15.063	-0.166

inches inches inches

Use Index Flats on Six Poles Each End to Establish z=0.

Weld 2 1.5 inch Target Mounts

Weld 2 Standard Target Mounts on "Full" Ears

Weld 2 Standard Target Mounts

25S Length = 240 mm=9.3 inch

25S Length = 250 mm=9.8 inch

SEXTUPOLE

25S-52

SA60SD2
SR??

6/11/01

Description:
Fiducials based on values posted on web-page. (Check for updates.)

Gradient Dipole: Fiducial Values for Dipole (145D)

Fiducial	Z	X	Y
TB1	-26.551	3.432	17.000
TB2	26.536	3.439	17.000
TB3	-26.568	-22.414	16.992
TB4	26.547	-22.431	17.001
TB5	-26.473	-24.261	-11.345
TB6	26.460	-24.244	-11.356

inches inches inches

Weld 4 Target Mounts Outside of y-graves

1590 Overall Length = 140.9 inch

1590 Overall Length = 161 inch

4 inches Typical 4 Places

Weld 2 Target Mounts

4 inches Typical 2 Places

End Plate Thickness = 2 inch

GRADIENT DIPOLE

145D-26

SA60BD2
SR??

11/2/01

Description:
Fiducials based on values posted on web-page. (Check for updates.)

Quadrupole: Fiducial Values for Upstream (15Q) Quadrupole

Fiducial	Z	X	Y
TB1	-2.569	11.247	16.196
TB2	2.570	11.250	16.201
TB3	-2.559	-11.240	16.203
TB4	2.564	-11.234	16.207
TB5	-1.435	-15.196	-4.778
TB6	2.327	-15.208	-4.909

inches inches inches

SA60QD2
SR??

3/1/02

Description:
Fiducials based on values posted on web-page. (Check for updates.)

H/V Corrector: Fiducial Values for Corrector

Fiducial	Z	X	Y
1	-0.003	-0.323	-10.196
2	-0.002	-10.046	-10.205
A	0.000	-20.003	0.000
B	0.000	-20.003	0.000
C	0.000	-20.003	0.000
D	0.000	-20.003	0.000
E	0.000	0.000	17.935
F	0.000	0.000	17.935

inches inches inches

SA60HV4
SR??

No Date

Description:
Fiducials based on known nominal values.

Quadrupole: Fiducial Values for Downstream (34Q) Quadrupole

Fiducial	Z	X	Y
TB1	-6.320	11.262	16.200
TB2	6.301	11.242	16.208
TB3	-6.339	-11.258	16.204
TB4	6.292	-11.262	16.201
TB5	-5.189	-15.202	-4.772
TB6	4.639	-15.202	-4.733

QUADRUPOLE
34Q-061

SA60QF2
SR??

6/21/01

Description:
Fiducials based on values posted on web-page. (Check for updates.)

Vacuum Chamber: Fiducial Values for BM1 Vacuum Chamber

Fiducial	Z	X	Y
TB1	-34.831	1.458	4.398
TB2	-34.841	8.458	4.395
TB3	11.076	4.089	2.375
TB4	34.487	-4.990	4.390
TB5	36.609	6.243	4.381
TB6	52.462	-1.881	2.298
TB7	55.656	-11.199	3.047
TB8	59.454	8.962	3.040
TB9	74.627	-20.267	4.381
TB0	76.881	-8.212	4.380

VACUUM CHAMBER
BM1004

SA60CM1
SR??

4/26/02

Description:
Fiducials based on values posted on web-page. (Check for updates.)

Building 750 Deck: Positions of Component Origins

750 Name	Z	X	Y	Yaw
SA60SD2	1.367	-3.500	0.000	0.0000
SA60CM1	2.450	-3.500	0.000	0.0000
SA60BD2	2.447	-3.534	0.000	-5.2941
SA60QD2	3.485	-3.694	0.000	-10.5882
SA60QF2	4.114	-3.811	0.000	-10.5882
	meters	meters	meters	degrees

Date of Deck File:

145D-60

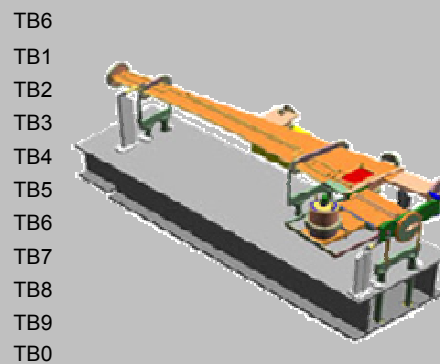
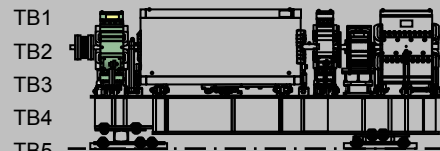
Location of Raft: WEST

Description:

Deck coordinates representing origin of the specific component's coordinate system.

Building 750 As-Built: (TABLE 1 of 2)

750 Name	delta Z	delta X	delta Y (delta H)
SA60SD2	0.023	0.006	0.003
	0.024	0.003	-0.001
	0.005	0.002	0.006
	0.005	-0.003	0.000
	-0.003	0.002	0.002
	-0.002	-0.005	0.000
SA60CM1	0.010	0.002	-0.004
	-0.007	0.001	-0.006
	-0.006	0.021	-0.015
	0.015	0.034	-0.004
	0.011	0.028	-0.007
	-0.002	0.041	-0.030
	0.011	0.039	-0.005
	0.003	0.038	-0.008
	-0.015	0.006	-0.001
	0.009	0.000	0.001
	inches	inches	inches



Latest File Date:

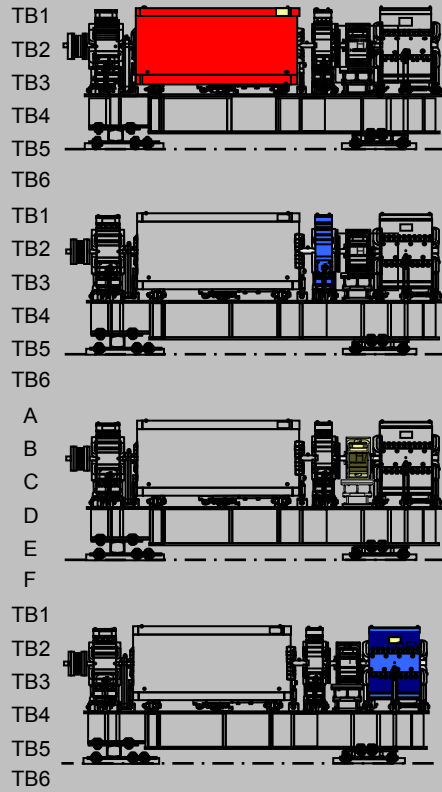
145D-60

Description:

Values representing the difference between the design and actual fiducial measurements.

Building 750 As-Built: (TABLE 2 of 2)

750 Name	delta Z	delta X	delta Y (delta H)
SA60BD2	-0.008	-0.003	0.001
	-0.011	0.005	0.002
	-0.006	0.000	-0.003
	-0.012	0.000	-0.001
	-0.002	0.000	0.000
	-0.007	0.001	0.003
SA60QD2	0.007	0.009	-0.001
	0.008	0.000	0.004
	-0.007	0.004	0.001
	-0.011	-0.001	0.002
	N/A	N/A	N/A
SA60HV4	N/A	N/A	N/A
		-0.002	
		-0.008	
		-0.004	
		-0.007	
			-0.004
SA60QF2			-0.007
	0.005	-0.003	0.001
	0.001	-0.003	0.000
	0.004	0.002	0.000
	0.000	-0.008	0.000
	-0.002	-0.004	-0.001
	0.000	-0.003	-0.008
	inches	inches	inches



Latest File Date: November 26, 2002

145D-60

Description:

Values representing the difference between the design and actual fiducial measurements.