

Fid. Data Summary for 145D-2 Rafts

145D-58

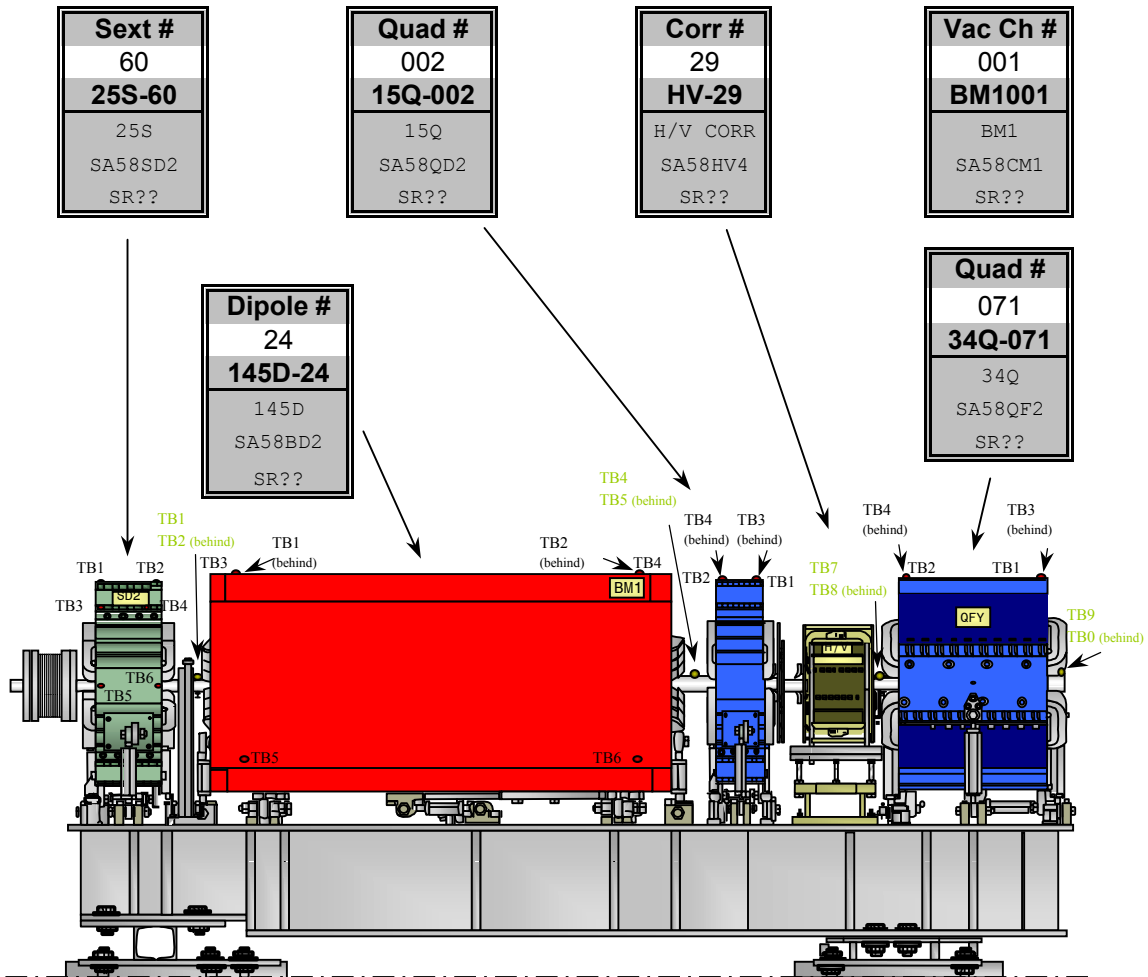
Raft Description:

Date March 7, 2002

Raft # 58 145D-58	Type 2 145D T-2	Bld. 750 Name SA58	S3 Ring Name SR??
--------------------------------	------------------------------	------------------------------	-----------------------------

Notes:

The above date represents the latest fiducial date of all components listed below.

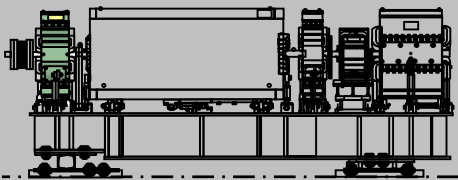


Sextupole: Fiducial Values for 25S Sextupole

Fiducial	Z	X	Y
TB1	-4.316	4.210	15.510
TB2	4.310	4.192	15.509
TB3	-4.352	-10.536	12.518
TB4	3.485	-10.506	12.535
TB5	-4.478	-15.067	0.051
TB6	4.550	-15.066	0.027

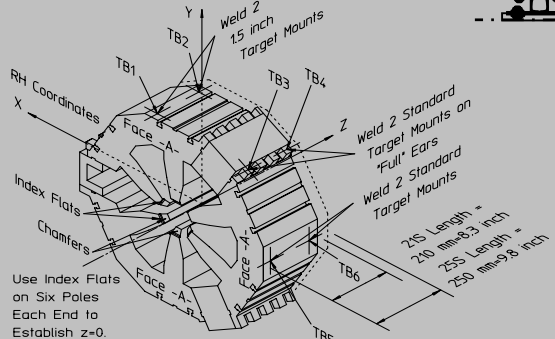
inches inches inches

SEXTUPOLE
25S-60



SA58SD2
SR??

7/12/01



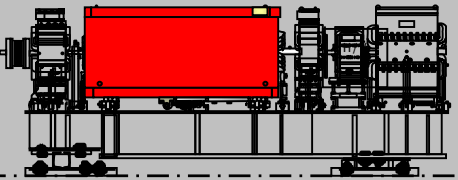
Description:
Fiducials based on values posted on web-page. (Check for updates.)

Gradient Dipole: Fiducial Values for Dipole (145D)

Fiducial	Z	X	Y
TB1	-26.592	3.398	16.998
TB2	26.549	3.407	17.001
TB3	-26.543	-22.382	16.996
TB4	26.563	-22.364	17.001
TB5	-26.547	-24.243	-11.440
TB6	26.496	-24.246	-11.536

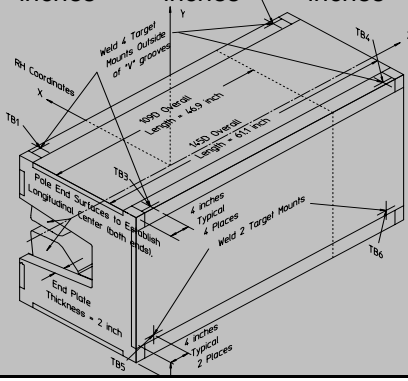
inches inches inches

GRADIENT DIPOLE
145D-24



SA58BD2
SR??

10/10/01



Description:
Fiducials based on values posted on web-page. (Check for updates.)

Quadrupole: Fiducial Values for Upstream (15Q) Quadrupole

Fiducial	Z	X	Y
TB1	-2.579	11.252	16.202
TB2	2.595	11.241	16.206
TB3	-2.590	-11.259	16.208
TB4	2.583	-11.251	16.198
TB5	-1.422	-15.202	-4.803
TB6	2.355	-15.207	-4.767

inches inches inches

**QUADRUPOLE
15Q-002**

SA58QD2
SR??

6/15/01

Description:
Fiducials based on values posted on web-page. (Check for updates.)

H/V Corrector: Fiducial Values for Corrector

Fiducial	Z	X	Y
1	-0.003	-0.323	-10.196
2	-0.002	-10.046	-10.205
A	0.000	-20.003	0.000
B	0.000	-20.003	0.000
C	0.000	-20.003	0.000
D	0.000	-20.003	0.000
E	0.000	0.000	17.935
F	0.000	0.000	17.935

inches inches inches

**H/V CORRECTOR
HV-29**

SA58HV4
SR??

No Date

Description:
Fiducials based on known nominal values.

Quadrupole: Fiducial Values for Downstream (34Q) Quadrupole

Fiducial	Z	X	Y
TB1	-6.091	10.879	16.202
TB2	6.094	10.834	16.203
TB3	-6.084	-10.854	16.207
TB4	6.094	-10.885	16.198
TB5	-5.288	-15.209	-5.010
TB6	4.636	-15.202	-4.927

QUADRUPOLE
34Q-071

SA58QF2
SR??

8/6/01

Description:
Fiducials based on values posted on web-page. (Check for updates.)

Vacuum Chamber: Fiducial Values for BM1 Vacuum Chamber

Fiducial	Z	X	Y
TB1	-34.846	1.577	4.396
TB2	-34.865	8.473	4.401
TB3	10.941	4.391	2.343
TB4	34.504	-4.877	4.379
TB5	36.613	6.251	4.375
TB6	52.467	-1.862	2.274
TB7	55.677	-11.181	3.014
TB8	59.483	8.960	3.031
TB9	74.670	-20.226	4.374
TB0	76.958	-7.990	4.386

VACUUM CHAMBER
BM1001

SA58CM1
SR??

3/7/02

Description:
Fiducials based on values posted on web-page. (Check for updates.)

Building 750 Deck: Positions of Component Origins

750 Name	Z	X	Y	Yaw
SA58SD2	1.367	-3.500	0.000	0.0000
SA58CM1	2.450	-3.500	0.000	0.0000
SA58BD2	2.447	-3.534	0.000	-5.2941
SA58QD2	3.485	-3.694	0.000	-10.5882
SA58QF2	4.114	-3.811	0.000	-10.5882
	meters	meters	meters	degrees

Date of Deck File: September 9, 2002

145D-58

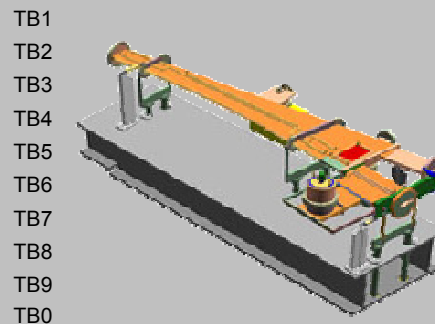
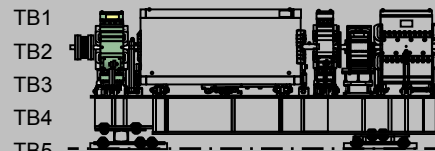
Location of Raft: WEST

Description:

Deck coordinates representing origin of the specific component's coordinate system.

Building 750 As-Built: (TABLE 1 of 2)

750 Name	delta Z	delta X	delta Y (delta H)
SA58SD2	0.023	0.004	0.002
	0.022	-0.004	0.001
	0.007	-0.006	0.003
	0.005	-0.004	0.000
	0.002	0.002	0.002
	0.001	-0.004	0.001
SA58CM1	-0.004	0.002	0.003
	0.000	0.005	0.001
	missing	missing	missing
	0.005	0.006	-0.001
	0.008	0.003	0.002
	-0.001	0.004	-0.006
	-0.001	0.001	-0.008
	-0.001	0.000	0.003
	0.001	0.006	3.000
	-0.001	0.003	-0.001
	inches	inches	inches



Latest File Date: October 30, 2002

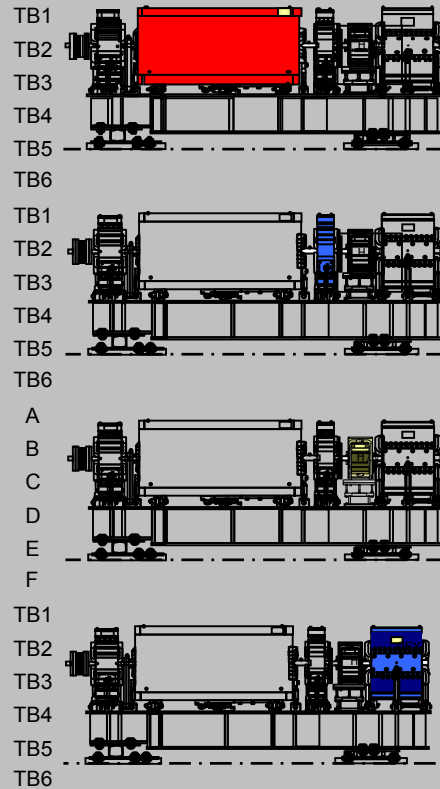
145D-58

Description:

Values representing the difference between the design and actual fiducial measurements.

Building 750 As-Built: (TABLE 2 of 2)

750 Name	delta Z	delta X	delta Y (delta H)
SA58BD2	-0.003	0.001	-0.003
	-0.009	-0.001	0.001
	-0.003	0.007	-0.001
	-0.008	0.002	0.003
	-0.002	0.002	0.001
	-0.005	0.002	0.005
SA58QD2	0.001	0.006	0.005
	-0.001	0.002	0.000
	-0.001	-0.003	0.004
	-0.005	-0.001	0.001
	-0.020	-3.001	-0.017
	-0.021	-0.006	-0.002
SA58HV4		0.003	
		0.008	
		0.005	
		-0.002	
			-0.001
			-0.005
SA58QF2	0.003	0.002	0.003
	0.002	-0.001	-0.001
	-0.004	-0.003	0.004
	-0.011	-0.005	0.000
	-0.014	-0.001	-0.001
	-0.013	-0.004	0.000
	inches	inches	inches



Latest File Date:

145D-58

Description:

Values representing the difference between the design and actual fiducial measurements.