

Fid. Data Summary for 145D-2 Rafts

145D-57

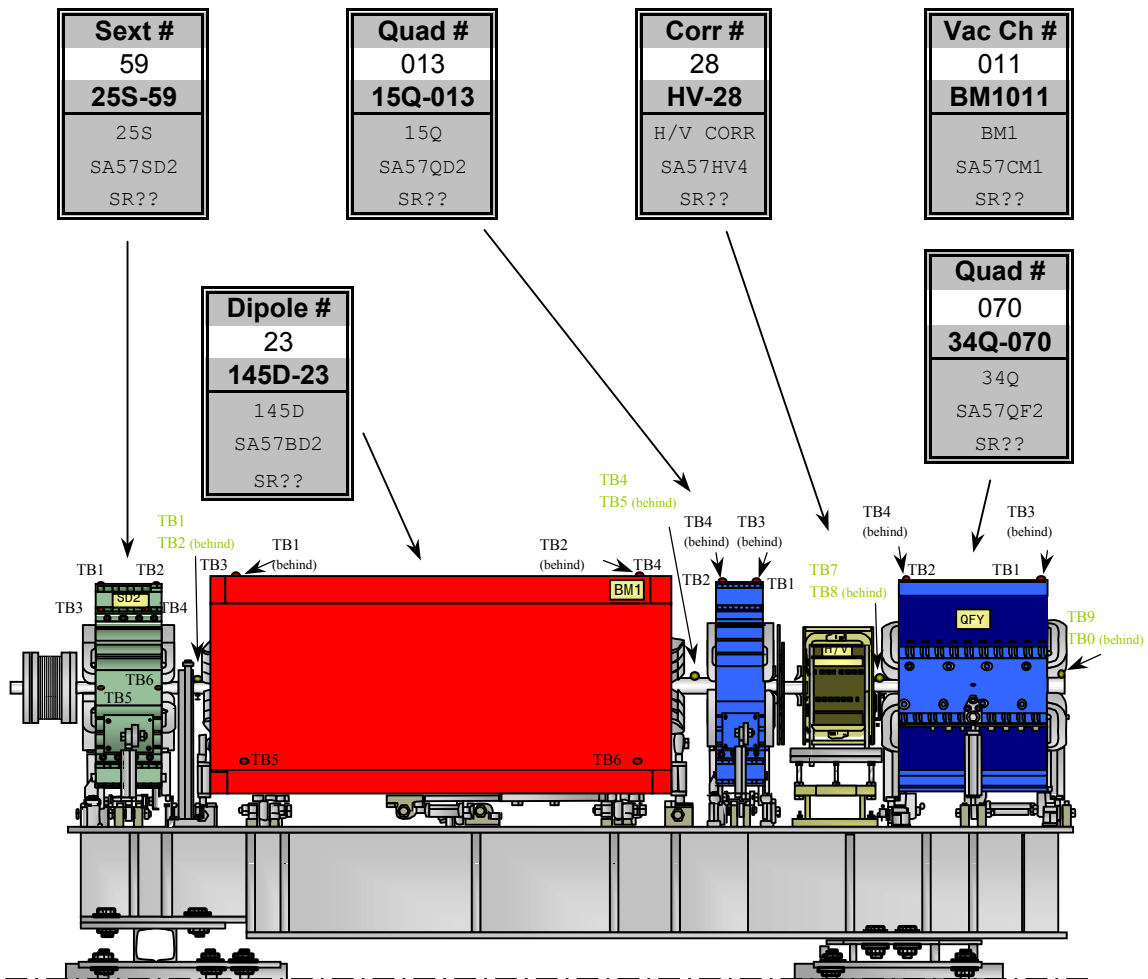
Raft Description:

Date March 28, 2002

Raft # 57 145D-57	Type 2 145D T-2	Bld. 750 Name SA57	S3 Ring Name SR??
--------------------------------	------------------------------	------------------------------	-----------------------------

Notes:

The above date represents the latest fiducial date of all components listed below.
As-built Vacuum Chamber data could not be found.



Sextupole: Fiducial Values for 25S Sextupole

Fiducial	Z	X	Y
TB1	-4.317	4.219	15.501
TB2	4.331	4.210	15.512
TB3	-4.406	-10.533	12.523
TB4	3.443	-10.529	12.526
TB5	-4.384	-15.061	0.039
TB6	4.356	-15.065	0.059

inches inches inches

**SEXTUPOLE
25S-59**

SA57SD2
SR??

8/22/01

Description:
Fiducials based on values posted on web-page. (Check for updates.)

Gradient Dipole: Fiducial Values for Dipole (145D)

Fiducial	Z	X	Y
TB1	-26.551	3.439	17.003
TB2	26.527	3.449	17.003
TB3	-26.543	-22.415	16.993
TB4	26.547	-22.424	17.004
TB5	-26.503	-24.244	-11.490
TB6	26.638	-24.258	-11.525

inches inches inches

**GRADIENT DIPOLE
145D-23**

SA57BD2
SR??

11/13/01

Description:
Fiducials based on values posted on web-page. (Check for updates.)

Quadrupole: Fiducial Values for Upstream (15Q) Quadrupole

Fiducial	Z	X	Y
TB1	-2.585	11.246	16.201
TB2	2.559	11.234	16.202
TB3	-2.574	-11.244	16.203
TB4	2.579	-11.236	16.199
TB5	-1.489	-15.200	-4.728
TB6	2.330	-15.201	-4.726

inches inches inches

SA57QD2
SR??

12/18/01

Description:
Fiducials based on values posted on web-page. (Check for updates.)

H/V Corrector: Fiducial Values for Corrector

Fiducial	Z	X	Y
1	-0.003	-0.323	-10.196
2	-0.002	-10.046	-10.205
A	0.000	-20.003	0.000
B	0.000	-20.003	0.000
C	0.000	-20.003	0.000
D	0.000	-20.003	0.000
E	0.000	0.000	17.935
F	0.000	0.000	17.935

inches inches inches

H/V CORRECTOR
HV-28

SA57HV4
SR??

No Date

Description:
Fiducials based on known nominal values.

Quadrupole: Fiducial Values for Downstream (34Q) Quadrupole

Fiducial	Z	X	Y
TB1	-6.316	11.244	16.201
TB2	6.320	11.250	16.203
TB3	-6.305	-11.242	16.206
TB4	6.350	-11.249	16.202
TB5	-5.161	-15.203	-4.926
TB6	4.644	-15.204	-4.852

QUADRUPOLE
34Q-070

SA57QF2
SR??

7/12/01

Description:
Fiducials based on values posted on web-page. (Check for updates.)

Vacuum Chamber: Fiducial Values for BM1 Vacuum Chamber

Fiducial	Z	X	Y
TB1	-34.849	1.572	4.389
TB2	-34.884	8.414	4.382
TB3	10.975	4.173	2.344
TB4	34.547	-4.906	4.379
TB5	36.835	6.183	4.371
TB6	52.481	-1.860	2.259
TB7	55.674	-11.226	3.017
TB8	59.438	8.996	2.995
TB9	74.665	-20.335	4.387
TB0	76.974	-8.085	4.388

VACUUM CHAMBER
BM1011

SA57CM1
SR??

3/28/02

Description:
Fiducials based on values posted on web-page. (Check for updates.)

Building 750 Deck: Positions of Component Origins

750 Name	Z	X	Y	Yaw
SA57SD2	1.367	0.000	0.000	0.0000
SA57CM1	2.450	0.000	0.000	0.0000
SA57BD2	2.447	-0.034	0.000	-5.2941
SA57QD2	3.485	-0.194	0.000	-10.5882
SA57QF2	4.114	-0.311	0.000	-10.5882
	meters	meters	meters	degrees

Date of Deck File:

145D-57

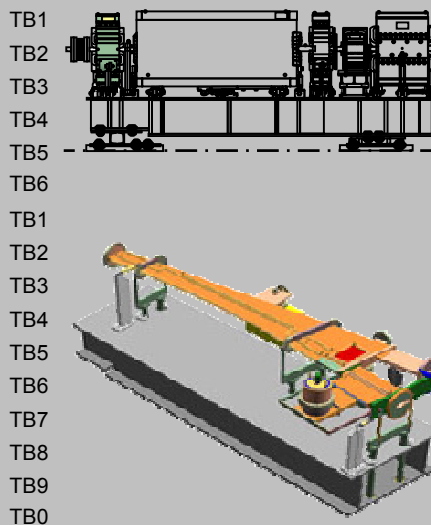
Location of Raft: EAST

Description:

Deck coordinates representing origin of the specific component's coordinate system.

Building 750 As-Built: (TABLE 1 of 2)

750 Name	delta Z	delta X	delta Y (delta H)
SA57SD2	-0.014	-0.004	-0.003
	-0.015	0.000	-0.002
	0.006	0.003	-0.004
	0.002	0.000	-0.002
	0.000	0.000	0.000
	0.000	0.000	0.000
SA57CM1	missing	missing	missing
	missing	missing	missing
	missing	missing	missing
	missing	missing	missing
	missing	missing	missing
	missing	missing	missing
	missing	missing	missing
	missing	missing	missing
	missing	missing	missing
	missing	missing	missing
	inches	inches	inches



Latest File Date:

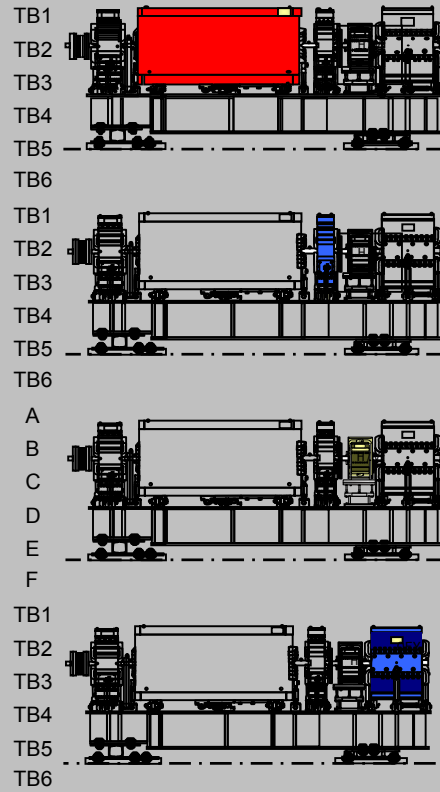
145D-57

Description:

Values representing the difference between the design and actual fiducial measurements.

Building 750 As-Built: (TABLE 2 of 2)

750 Name	delta Z	delta X	delta Y (delta H)
SA57BD2	0.003	0.000	0.002
	-0.001	-0.001	0.000
	0.003	0.002	0.000
	-0.003	-0.001	-0.001
	0.001	0.005	0.002
	-0.007	-0.003	0.001
SA57QD2	0.005	0.000	-0.002
	0.003	0.000	0.000
	0.005	-0.003	-0.002
	0.006	0.000	-0.002
	0.000	0.000	0.000
	0.005	-0.006	0.001
SA57HV4		-0.016	
		-0.010	
		-0.014	
		-0.008	
			-0.008
			-0.006
SA57QF2	-0.012	0.003	0.001
	-0.010	0.004	0.000
	-0.008	0.000	-0.001
	-0.007	0.005	-0.002
	-0.006	0.000	-0.005
	-0.007	0.002	-0.002
	inches	inches	inches



Latest File Date: October 21, 2002

145D-57

Description:

Values representing the difference between the design and actual fiducial measurements.