

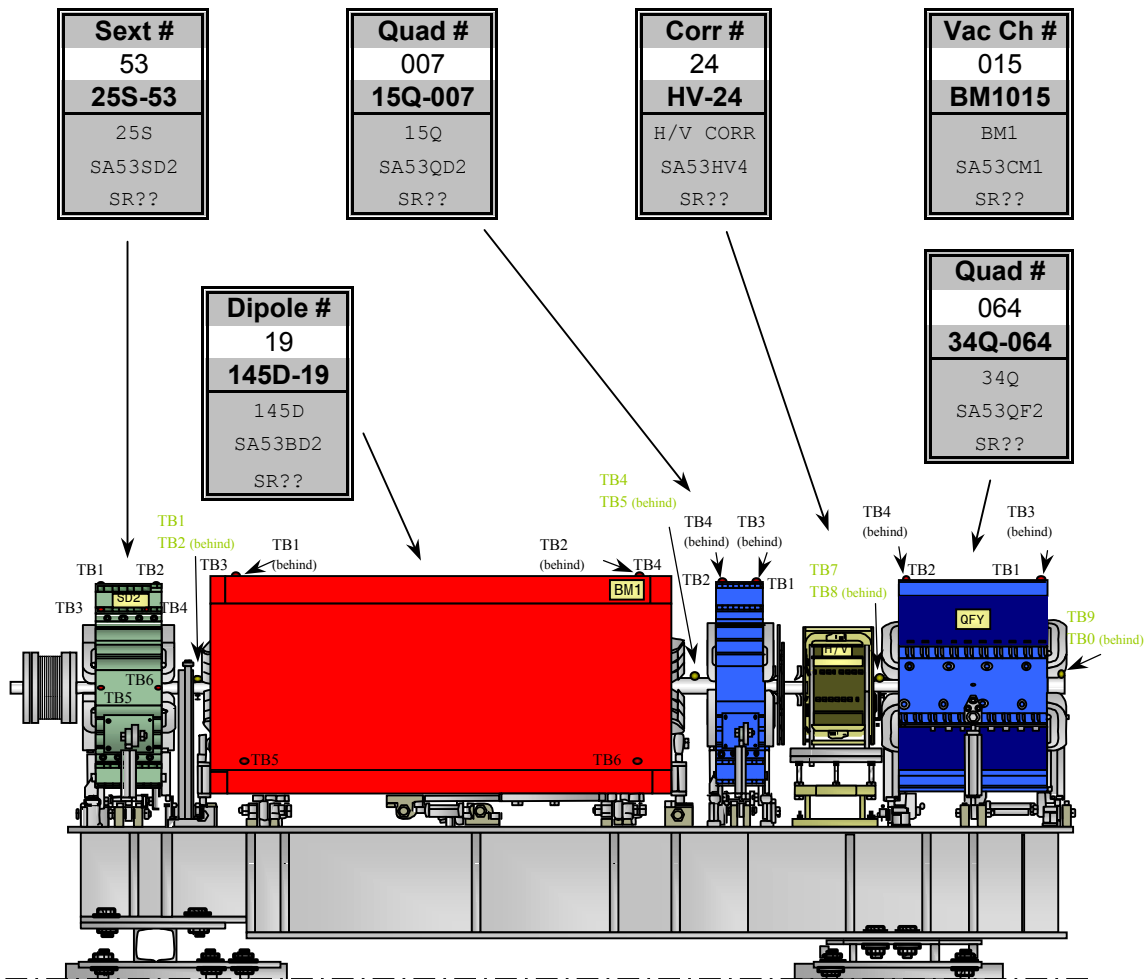
Raft Description:

Date April 23, 2002

Raft # 53 145D-53	Type 2 145D T-2	Bld. 750 Name SA53	S3 Ring Name SR??
--------------------------------	------------------------------	------------------------------	-----------------------------

Notes:

The above date represents the latest fiducial date of all components listed below.
 Chamber As-Built show TRUE position after correcting for INSIGHT / NAM error.



Sextupole: Fiducial Values for 25S Sextupole

Fiducial	Z	X	Y
TB1	-4.500	4.181	15.505
TB2	4.521	4.211	15.511
TB3	-4.449	-10.494	12.541
TB4	3.438	-10.498	12.541
TB5	-4.529	-15.065	0.021
TB6	4.510	-15.064	0.044

inches inches inches

**SEXTUPOLE
25S-53**

SA53SD2
SR??

11/13/01

Description:
Fiducials based on values posted on web-page. (Check for updates.)

Gradient Dipole: Fiducial Values for Dipole (145D)

Fiducial	Z	X	Y
TB1	-26.561	3.437	17.007
TB2	26.540	3.458	17.000
TB3	-26.558	-22.411	16.994
TB4	26.536	-22.411	17.004
TB5	-26.509	-24.249	-11.451
TB6	26.477	-24.286	-11.494

inches inches inches

**GRADIENT DIPOLE
145D-19**

SA53BD2
SR??

8/7/01

Description:
Fiducials based on values posted on web-page. (Check for updates.)

Quadrupole: Fiducial Values for Upstream (15Q) Quadrupole

Fiducial	Z	X	Y
TB1	-2.579	11.252	16.199
TB2	2.562	11.249	16.202
TB3	-2.584	-11.254	16.209
TB4	2.574	-11.246	16.196
TB5	-1.534	-15.200	-4.806
TB6	2.375	-15.207	-4.839

inches inches inches

RH Coordinates
 X
 Z
 Face -A-
 Index Flats
 Chamfers
 Use Index Flats
 Weld 4 Target Mounts Outside of "V" grooves
 TB1, TB2, TB3, TB4, TB5, TB6
 Manifolds on Aisle Side Weld 2 Target Mounts on "Full" Ears
 15Q Length = 150 mm = 5.9 inch
 31Q Length = 310 mm = 12.4 inch
 31Q = 12.4 inch

QUADRUPOLE
15Q-007

SA53QD2
SR??

6/13/01

Description:
Fiducials based on values posted on web-page. (Check for updates.)

H/V Corrector: Fiducial Values for Corrector

Fiducial	Z	X	Y
1	-0.003	-0.323	-10.196
2	-0.002	-10.046	-10.205
A	0.000	-20.003	0.000
B	0.000	-20.003	0.000
C	0.000	-20.003	0.000
D	0.000	-20.003	0.000
E	0.000	0.000	17.935
F	0.000	0.000	17.935

inches inches inches

H/V CORRECTOR
HV-24

SA53HV4
SR??

No Date

Description:
Fiducials based on known nominal values.

Quadrupole: Fiducial Values for Downstream (34Q) Quadrupole

Fiducial	Z	X	Y
TB1	-6.285	11.242	16.198
TB2	6.288	11.223	16.208
TB3	-6.282	-11.228	16.205
TB4	6.299	-11.259	16.200
TB5	-5.200	-15.200	-4.703
TB6	4.524	-15.200	-4.717

QUADRUPOLE
34Q-064

SA53QF2
SR??

2/22/02

Description:
Fiducials based on values posted on web-page. (Check for updates.)

Vacuum Chamber: Fiducial Values for BM1 Vacuum Chamber

Fiducial	Z	X	Y
TB1	-34.851	1.471	4.364
TB2	-34.859	8.437	4.383
TB3	10.908	4.154	2.343
TB4	34.533	-4.879	4.376
TB5	36.587	6.292	4.378
TB6	52.468	-1.900	2.318
TB7	55.659	-11.195	3.078
TB8	59.447	8.985	3.050
TB9	74.651	-20.316	4.380
TB0	76.924	-8.223	4.398

VACUUM CHAMBER
BM1015

SA53CM1
SR??

4/23/02

Description:
Fiducials based on values posted on web-page. (Check for updates.)

Building 750 Deck: Positions of Component Origins

750 Name	Z	X	Y	Yaw
SA53SD2	1.367	0.000	0.000	0.0000
SA53CM1	2.450	0.000	0.000	0.0000
SA53BD2	2.447	-0.034	0.000	-5.2941
SA53QD2	3.485	-0.194	0.000	-10.5882
SA53QF2	4.114	-0.311	0.000	-10.5882
	meters	meters	meters	degrees

Date of Deck File: September 9, 2002

145D-53

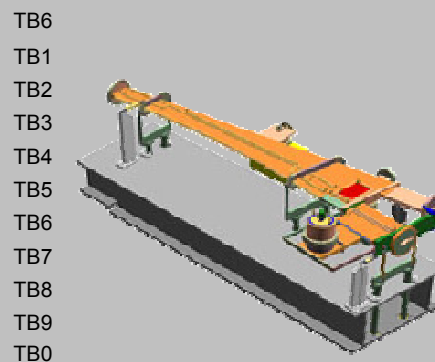
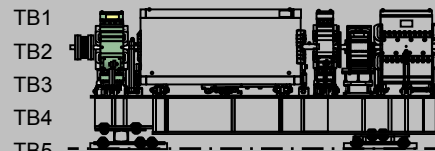
Location of Raft: EAST

Description:

Deck coordinates representing origin of the specific component's coordinate system.

Building 750 As-Built: (TABLE 1 of 2)

750 Name	delta Z	delta X	delta Y (delta H)
SA53SD2	-0.019	-0.006	0.001
	-0.016	0.001	0.002
	-0.007	-0.002	-0.002
	-0.004	-0.001	-0.001
	-0.004	0.001	-0.003
	-0.003	0.000	-0.004
SA53CM1	0.002	0.000	-0.001
	0.007	-0.001	-0.001
	0.005	-0.010	0.004
	0.015	-0.013	0.013
	0.012	-0.017	0.008
	0.009	-0.019	-0.005
	0.010	-0.022	-0.006
	0.020	-0.024	-0.012
	0.000	0.015	0.000
	0.003	-0.009	0.028
	inches	inches	inches



Latest File Date: September 13, 2002

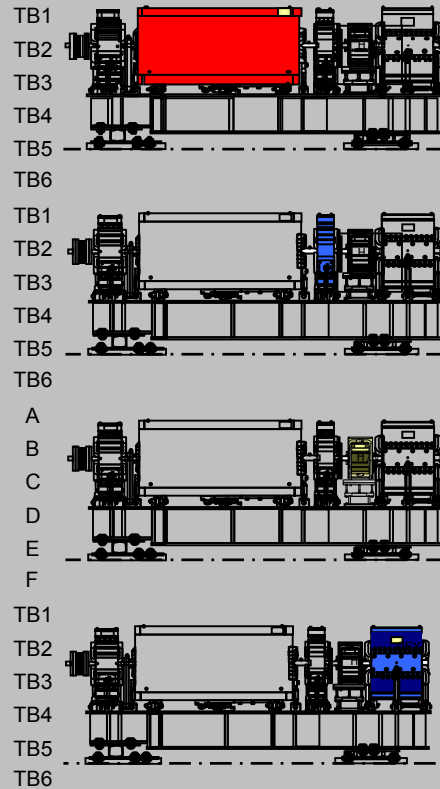
145D-53

Description:

Values representing the difference between the design and actual fiducial measurements.

Building 750 As-Built: (TABLE 2 of 2)

750 Name	delta Z	delta X	delta Y (delta H)
SA53BD2	0.010	-0.001	0.003
	0.007	0.000	-0.003
	0.010	0.003	0.002
	0.005	0.000	-0.003
	0.007	0.004	0.002
	0.004	0.004	0.001
SA53QD2	-0.008	-0.011	2.996
	-0.013	0.004	0.003
	-0.001	0.001	-0.002
	-0.003	0.004	-0.001
	0.024	-2.994	-0.005
	0.011	0.003	-0.002
SA53HV4		-0.035	
		-0.016	
		-0.021	
		-0.020	
			-0.001
SA53QF2			0.003
	-0.004	-0.002	0.001
	0.001	0.005	0.000
	-0.007	0.000	-0.002
	-0.006	-0.003	-0.001
	-0.005	-0.002	-0.003
	0.000	0.000	0.000
	inches	inches	inches



Latest File Date: September 13, 2002

145D-53

Description:

Values representing the difference between the design and actual fiducial measurements.