

Fid. Data Summary for 145D-2 Rafts

145D-52

Raft Description:

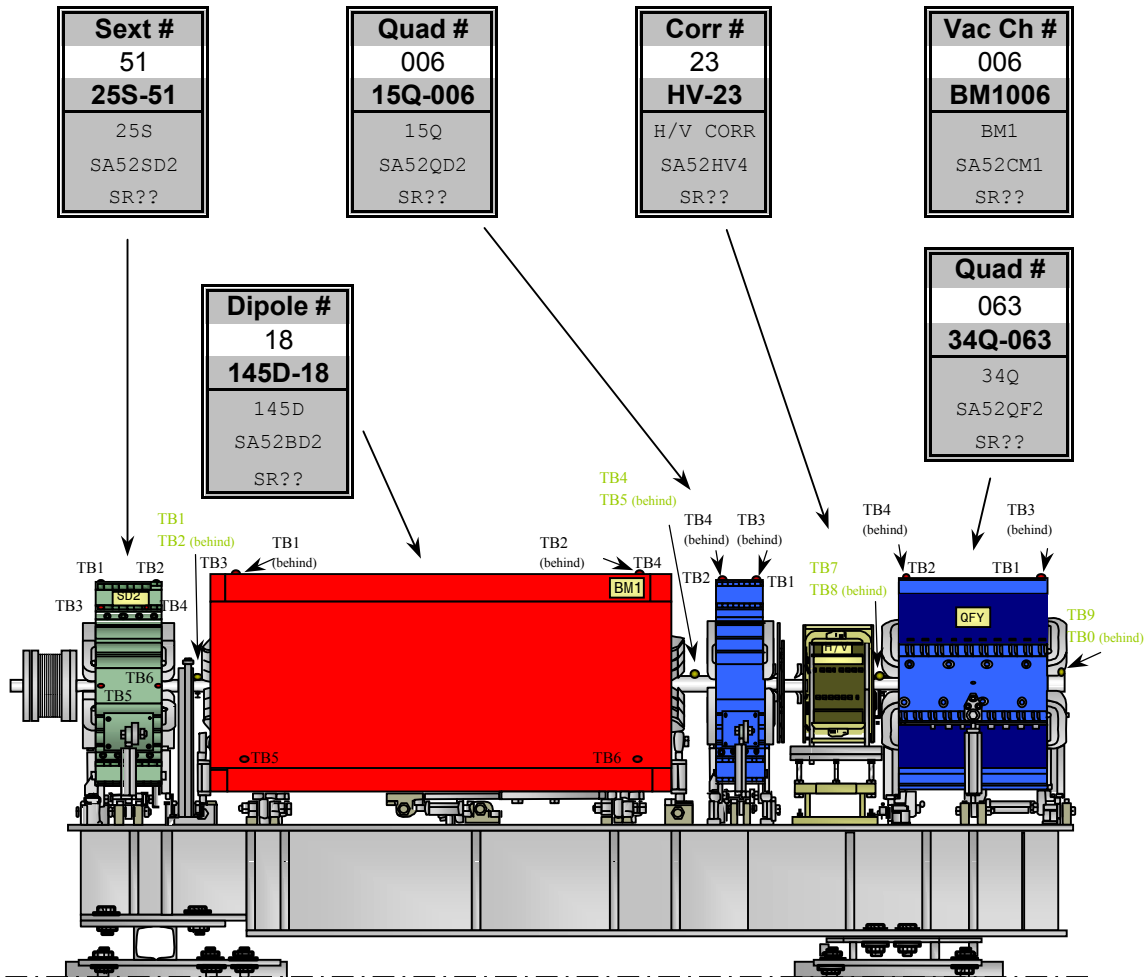
Date April 19, 2002

Raft # 52 145D-52	Type 2 145D T-2	Bld. 750 Name SA52	S3 Ring Name SR??
--------------------------------	------------------------------	------------------------------	-----------------------------

Notes:

The above date represents the latest fiducial date of all components listed below.

As-Built data orig. not copied. INSIGHT/NAM error as large as -0.017 in for cham.



Sextupole: Fiducial Values for 25S Sextupole

Fiducial	Z	X	Y
TB1	-4.325	4.224	15.512
TB2	4.291	4.207	15.515
TB3	-4.410	-10.546	12.524
TB4	3.439	-10.488	12.549
TB5	-4.370	-15.065	-0.092
TB6	4.161	-15.063	-0.035

inches inches inches

Use Index Flats on Six Poles Each End to Establish z=0.

Weld 2 1.5 inch Target Mounts

Weld 2 Standard Target Mounts on "Full" Ears

Weld 2 Standard Target Mounts

25S Length = 210 mm=8.3 inch

25S Length = 250 mm=9.8 inch

SEXTUPOLE
25S-51

SA52SD2
SR??

6/11/01

Description:
Fiducials based on values posted on web-page. (Check for updates.)

Gradient Dipole: Fiducial Values for Dipole (145D)

Fiducial	Z	X	Y
TB1	-26.533	3.441	17.008
TB2	26.571	3.448	17.013
TB3	-26.533	-22.419	17.006
TB4	26.546	-22.413	17.007
TB5	-26.575	-24.268	-11.532
TB6	26.473	-24.277	-11.462

inches inches inches

Weld 4 Target Mounts Outside of y-graves

1590 Overall Length = 140.9 inch

1550 Overall Length = 121.7 inch

4 inches Typical 4 Places

Weld 2 Target Mounts

4 inches Typical 2 Places

End Plate Thickness = 2 inch

Pole End Surfaces to Establish Longitudinal Center (from End)

GRADIENT DIPOLE
145D-18

SA52BD2
SR??

8/31/01

Description:
Fiducials based on values posted on web-page. (Check for updates.)

Quadrupole: Fiducial Values for Upstream (15Q) Quadrupole

Fiducial	Z	X	Y
TB1	-2.577	11.252	16.204
TB2	2.563	11.245	16.217
TB3	-2.575	-11.257	16.206
TB4	2.574	-11.245	16.201
TB5	-1.556	-15.203	-4.776
TB6	2.425	-15.202	-4.775

inches inches inches

SA52QD2
SR??

6/14/01

Description:
Fiducials based on values posted on web-page. (Check for updates.)

H/V Corrector: Fiducial Values for Corrector

Fiducial	Z	X	Y
1	-0.003	-0.323	-10.196
2	-0.002	-10.046	-10.205
A	0.000	-20.003	0.000
B	0.000	-20.003	0.000
C	0.000	-20.003	0.000
D	0.000	-20.003	0.000
E	0.000	0.000	17.935
F	0.000	0.000	17.935

inches inches inches

SA52HV4
SR??

No Date

Description:
Fiducials based on known nominal values.

Quadrupole: Fiducial Values for Downstream (34Q) Quadrupole

Fiducial	Z	X	Y
TB1	-6.322	11.246	16.204
TB2	6.354	11.246	16.205
TB3	-6.300	-11.248	16.204
TB4	6.322	-11.253	16.202
TB5	-5.254	-15.202	-4.855
TB6	4.629	-15.200	-4.937

inches inches inches

QUADRUPOLE
34Q-063

SA52QF2
SR??

6/20/01

Description:
Fiducials based on values posted on web-page. (Check for updates.)

Vacuum Chamber: Fiducial Values for BM1 Vacuum Chamber

Fiducial	Z	X	Y
TB1	-34.856	1.538	4.390
TB2	-34.882	8.432	4.428
TB3	11.086	3.958	2.363
TB4	34.395	-4.874	4.376
TB5	36.507	6.210	4.369
TB6	52.465	-1.863	2.287
TB7	55.610	-11.188	3.070
TB8	59.444	9.021	3.019
TB9	74.631	-20.288	4.353
TB0	76.907	-8.244	4.361

inches inches inches

VACUUM CHAMBER
BM1006

SA52CM1
SR??

4/19/02

Description:
Fiducials based on values posted on web-page. (Check for updates.)

Building 750 Deck: Positions of Component Origins

750 Name	Z	X	Y	Yaw
SA52SD2	1.367	-3.500	0.000	0.0000
SA52CM1	2.450	-3.500	0.000	0.0000
SA52BD2	2.447	-3.534	0.000	-5.2941
SA52QD2	3.485	-3.694	0.000	-10.5882
SA52QF2	4.114	-3.811	0.000	-10.5882
	meters	meters	meters	degrees

Date of Deck File:

145D-52

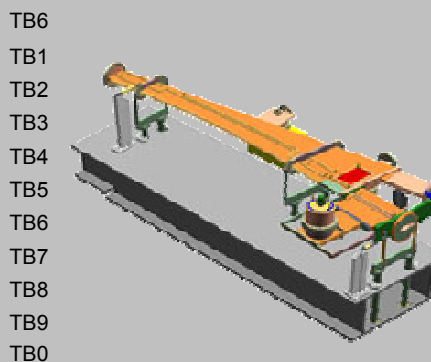
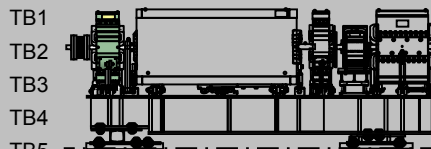
Location of Raft: WEST

Description:

Deck coordinates representing origin of the specific component's coordinate system.

Building 750 As-Built: (TABLE 1 of 2)

750 Name	delta Z	delta X	delta Y (delta H)
SA52SD2	-0.008	-0.002	-0.001
	-0.007	-0.001	0.001
	-0.005	-0.003	-0.002
	-0.010	-0.001	0.000
	-0.004	-0.002	-0.002
	-0.003	0.001	-0.002
SA52CM1	missing	missing	missing
	missing	missing	missing
	missing	missing	missing
	missing	missing	missing
	missing	missing	missing
	missing	missing	missing
	missing	missing	missing
	missing	missing	missing
	missing	missing	missing
	missing	missing	missing
	inches	inches	inches



Latest File Date:

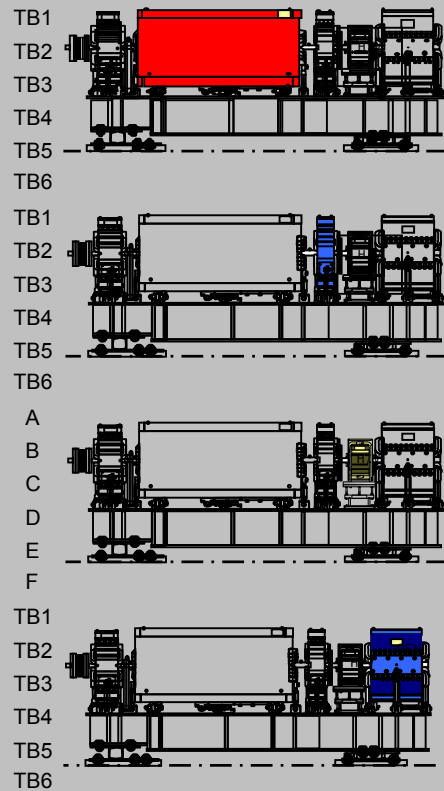
145D-52

Description:

Values representing the difference between the design and actual fiducial measurements.

Building 750 As-Built: (TABLE 2 of 2)

750 Name	delta Z	delta X	delta Y (delta H)
SA52BD2	0.010	-0.005	-0.002
	0.006	-0.006	0.002
	0.010	0.005	0.003
	0.003	-0.001	0.002
	0.007	-0.005	0.003
	0.005	-0.003	0.004
SA52QD2	-0.008	0.003	-0.001
	-0.008	0.004	0.001
	-0.011	0.001	0.000
	-0.010	0.001	0.000
	0.000	0.000	0.000
	0.000	0.000	-0.001
SA52HV4		0.020	
		0.018	
		0.021	
		0.023	
			-0.010
SA52QF2	0.012	0.005	0.000
	0.008	-0.001	-0.001
	-0.001	0.005	-0.001
	-0.003	-0.004	-0.001
	-0.003	-0.002	-0.007
	-0.008	-0.005	-0.004
	inches	inches	inches



Latest File Date:

145D-52

Description:

Values representing the difference between the design and actual fiducial measurements.