

Fid. Data Summary for 145D-2 Rafts

145D-51

Raft Description:

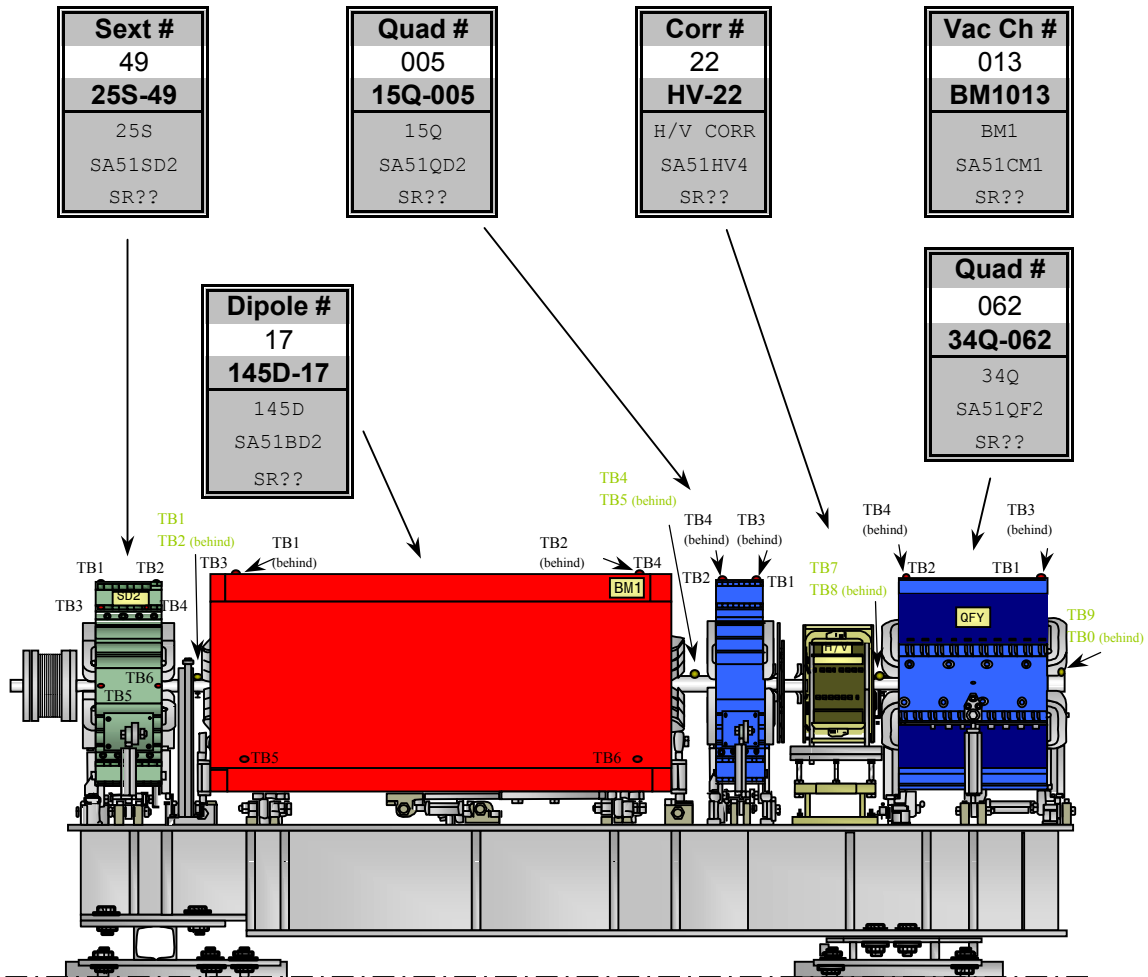
Date May 3, 2002

Raft # 51 145D-51	Type 2 145D T-2	Bld. 750 Name SA51	S3 Ring Name SR??
--------------------------------	------------------------------	------------------------------	-----------------------------

Notes:

The above date represents the latest fiducial date of all components listed below.

Chamber As-Built not found. INSIGHT / NAM error as large as 0.021 inches.



Sextupole: Fiducial Values for 25S Sextupole

Fiducial	Z	X	Y
TB1	-4.311	4.228	15.511
TB2	4.315	4.216	15.511
TB3	-4.384	-10.489	12.546
TB4	3.504	-10.505	12.533
TB5	-4.403	-15.064	0.177
TB6	4.375	-15.065	-0.022

inches inches inches

Use Index Flats on Six Poles Each End to Establish z=0.

Weld 2 1.5 inch Target Mounts

Weld 2 Standard Target Mounts on "Full" Ears

Weld 2 Standard Target Mounts

25S Length = 240 mm=9.3 inch

25S Length = 250 mm=9.8 inch

SEXTUPOLE

25S-49

SA51SD2
SR??

8/24/01

Description:
Fiducials based on values posted on web-page. (Check for updates.)

Gradient Dipole: Fiducial Values for Dipole (145D)

Fiducial	Z	X	Y
TB1	-26.552	3.441	17.003
TB2	26.540	3.430	17.009
TB3	-26.529	-22.427	17.007
TB4	26.556	-22.428	17.002
TB5	-26.540	-24.262	-11.470
TB6	26.472	-24.268	-11.434

inches inches inches

Weld 4 Target Mounts Outside of y-graves

1590 Overall Length = 140.9 inch

1550 Overall Length = 121 inch

4 inches Typical 4 Places

Weld 2 Target Mounts

4 inches Typical 2 Places

End Plate Thickness = 2 inch

Pole End Surfaces to Establish Longitudinal Center (from End)

GRADIENT DIPOLE

145D-17

SA51BD2
SR??

8/23/01

Description:
Fiducials based on values posted on web-page. (Check for updates.)

Quadrupole: Fiducial Values for Upstream (15Q) Quadrupole

Fiducial	Z	X	Y
TB1	-2.574	11.241	16.203
TB2	2.580	11.264	16.204
TB3	-2.575	-11.256	16.208
TB4	2.521	-11.247	16.206
TB5	-1.448	-15.210	-4.820
TB6	2.350	-15.204	-4.892

inches inches inches

SA51QD2
SR??

6/19/01

Description:
Fiducials based on values posted on web-page. (Check for updates.)

H/V Corrector: Fiducial Values for Corrector

Fiducial	Z	X	Y
1	-0.003	-0.323	-10.196
2	-0.002	-10.046	-10.205
A	0.000	-20.003	0.000
B	0.000	-20.003	0.000
C	0.000	-20.003	0.000
D	0.000	-20.003	0.000
E	0.000	0.000	17.935
F	0.000	0.000	17.935

inches inches inches

H/V CORRECTOR
HV-22

SA51HV4
SR??

No Date

Description:
Fiducials based on known nominal values.

Quadrupole: Fiducial Values for Downstream (34Q) Quadrupole

Fiducial	Z	X	Y
TB1	-6.314	11.251	16.203
TB2	6.316	11.263	16.205
TB3	-6.315	-11.250	16.204
TB4	6.314	-11.251	16.202
TB5	-5.202	-15.202	-4.846
TB6	4.680	-15.202	-4.751

inches inches inches

SA51QF2
SR??

6/20/01

Description:
Fiducials based on values posted on web-page. (Check for updates.)

Vacuum Chamber: Fiducial Values for BM1 Vacuum Chamber

Fiducial	Z	X	Y
TB1	-34.807	1.535	4.394
TB2	-34.865	8.496	4.375
TB3	10.945	4.240	2.279
TB4	34.536	-4.899	4.312
TB5	36.610	6.272	4.310
TB6	52.451	-1.884	2.267
TB7	55.590	-11.207	3.052
TB8	59.446	8.975	3.034
TB9	74.741	-20.267	4.409
TB0	76.943	-8.211	4.421

inches inches inches

SA51CM1
SR??

5/3/02

Description:
Fiducials based on values posted on web-page. (Check for updates.)

Building 750 Deck: Positions of Component Origins

750 Name	Z	X	Y	Yaw
SA51SD2	1.367	0.000	0.000	0.0000
SA51CM1	2.450	0.000	0.000	0.0000
SA51BD2	2.447	-0.034	0.000	-5.2941
SA51QD2	3.485	-0.194	0.000	-10.5882
SA51QF2	4.114	-0.311	0.000	-10.5882
	meters	meters	meters	degrees

Date of Deck File:

145D-51

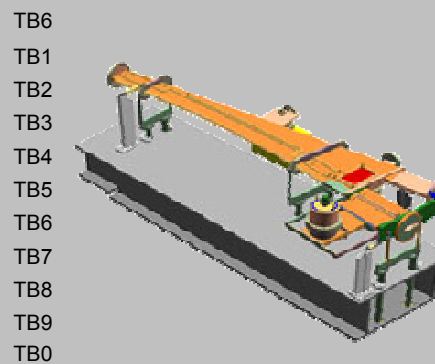
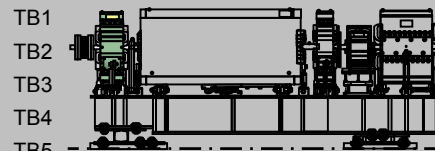
Location of Raft: EAST

Description:

Deck coordinates representing origin of the specific component's coordinate system.

Building 750 As-Built: (TABLE 1 of 2)

750 Name	delta Z	delta X	delta Y (delta H)
SA51SD2	-0.011	0.004	-0.001
	-0.007	0.005	-0.002
	-0.007	0.006	0.002
	-0.007	-0.001	0.000
	-0.009	-0.005	-0.001
	-0.007	-0.004	-0.003
SA51CM1	wrong	wrong	wrong
	missing	missing	missing
	missing	missing	missing
	missing	missing	missing
	missing	missing	missing
	missing	missing	missing
	missing	missing	missing
	missing	missing	missing
	missing	missing	missing
	missing	missing	missing
	inches	inches	inches



Latest File Date:

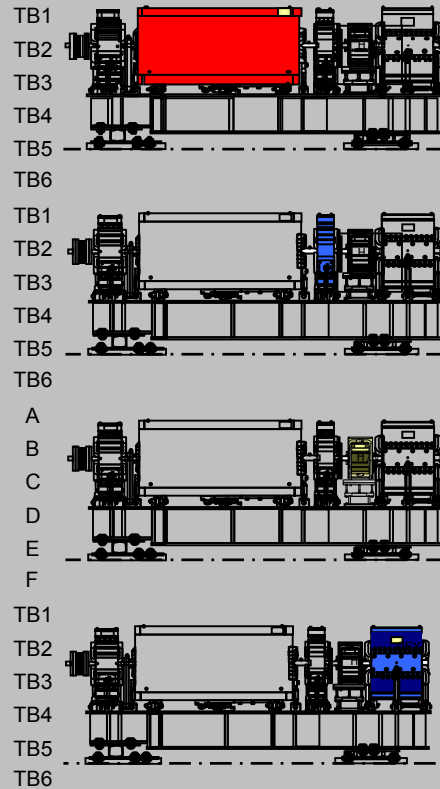
145D-51

Description:

Values representing the difference between the design and actual fiducial measurements.

Building 750 As-Built: (TABLE 2 of 2)

750 Name	delta Z	delta X	delta Y (delta H)
SA51BD2	0.001	-0.004	-0.004
	-0.002	-0.005	0.004
	0.002	-0.005	0.004
	-0.002	-0.005	0.001
	0.001	-0.004	-0.005
	-0.001	-0.001	0.002
SA51QD2	0.016	0.006	-0.002
	0.010	0.001	0.001
	-0.004	0.005	0.004
	0.000	0.003	0.005
	0.000	0.000	0.000
	-0.002	0.002	-0.003
SA51HV4		0.003	
		0.004	
		-0.003	
		-0.003	
			0.007
			0.004
SA51QF2	-0.005	-0.001	-0.004
	-0.007	0.004	0.000
	-0.011	-0.007	0.001
	-0.011	-0.003	0.003
	0.002	-0.003	-0.003
	-0.001	0.001	0.003
	inches	inches	inches



Latest File Date: September 4, 2002

145D-51

Description:

Values representing the difference between the design and actual fiducial measurements.