

Fid. Data Summary for 145D-2 Rafts

145D-50

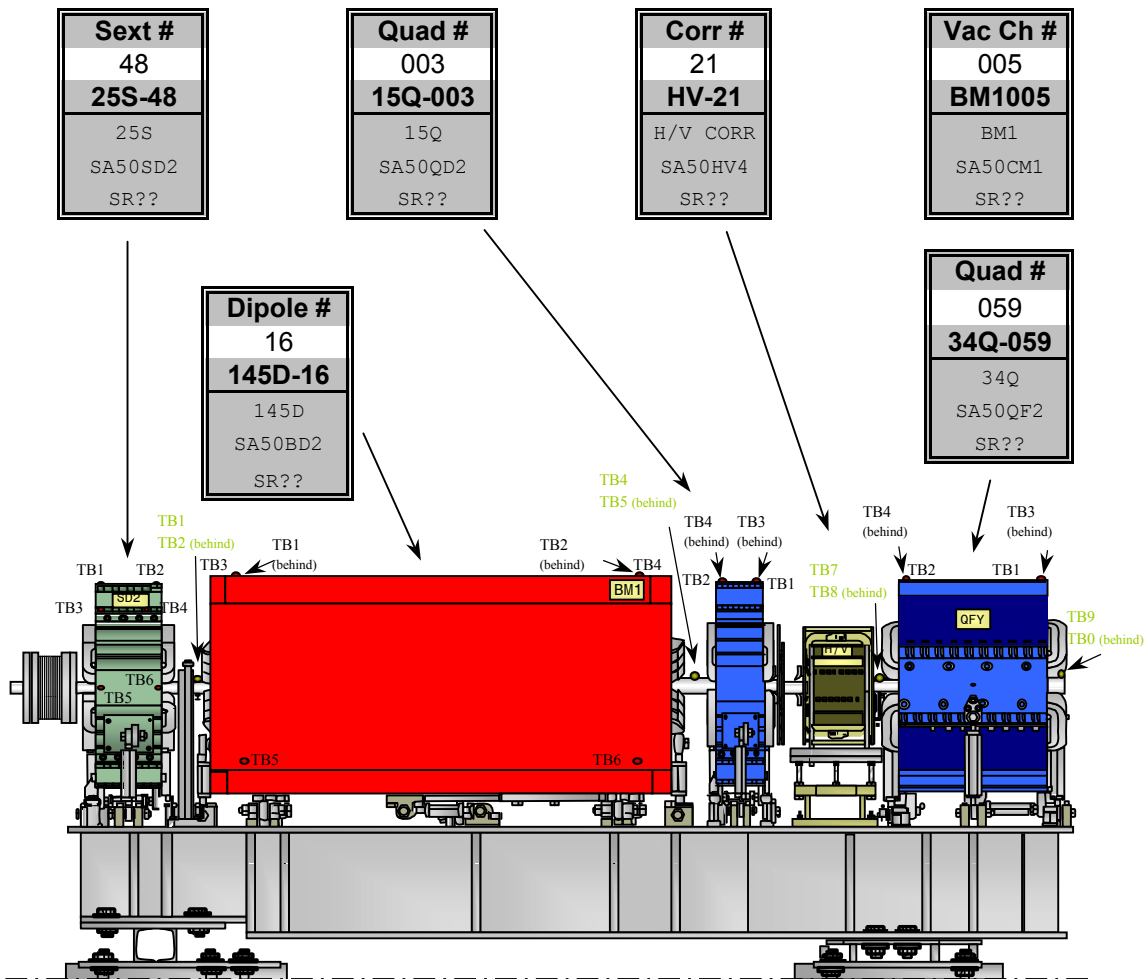
Raft Description:

Date April 30, 2002

Raft # 50 145D-50	Type 2 145D T-2	Bld. 750 Name SA50	S3 Ring Name SR??
--------------------------------	------------------------------	------------------------------	-----------------------------

Notes:

The above date represents the latest fiducial date of all components listed below.
 Chamber As-Built show TRUE position after correcting for INSIGHT / NAM error.



Sextupole: Fiducial Values for 25S Sextupole

Fiducial	Z	X	Y
TB1	-4.241	4.205	15.506
TB2	4.287	4.221	15.509
TB3	-4.346	-10.542	12.516
TB4	3.516	-10.520	12.539
TB5	-4.193	-15.065	0.127
TB6	4.211	-15.063	-0.176

inches inches inches

Use Index Flats on Six Poles Each End to Establish z=0.

Weld 2 1.5 inch Target Mounts

Weld 2 Standard Target Mounts on "Full" Ears

Weld 2 Standard Target Mounts

25S Length = 210 mm=8.3 inch

25S Length = 230 mm=9.8 inch

SEXTUPOLE

25S-48

SA50SD2
SR??

10/12/01

Description:
Fiducials based on values posted on web-page. (Check for updates.)

Gradient Dipole: Fiducial Values for Dipole (145D)

Fiducial	Z	X	Y
TB1	-26.599	3.434	17.009
TB2	26.538	3.454	17.002
TB3	-26.540	-22.417	16.996
TB4	26.536	-22.411	16.997
TB5	-26.528	-24.260	-11.556
TB6	26.492	-24.255	-11.445

inches inches inches

Weld 4 Target Mounts Outside of y-granges

1590 Overall Length = 140.9 inch

1530 Overall Length = 121 inch

4 inches Typical 4 Places

Weld 2 Target Mounts

4 inches Typical 2 Places

End Plate Thickness = 2 inch

GRADIENT DIPOLE

145D-16

SA50BD2
SR??

8/2/01

Description:
Fiducials based on values posted on web-page. (Check for updates.)

Quadrupole: Fiducial Values for Upstream (15Q) Quadrupole

Fiducial	Z	X	Y
TB1	-2.571	11.228	16.199
TB2	2.584	11.241	16.201
TB3	-2.585	-11.250	16.204
TB4	2.573	-11.274	16.196
TB5	-1.560	-15.202	-4.835
TB6	2.337	-15.207	-4.817

inches inches inches

QUADRUPOLE
15Q-003

SA50QD2
SR??

8/22/01

Description:
Fiducials based on values posted on web-page. (Check for updates.)

H/V Corrector: Fiducial Values for Corrector

Fiducial	Z	X	Y
1	-0.003	-0.323	-10.196
2	-0.002	-10.046	-10.205
A	0.000	-20.003	0.000
B	0.000	-20.003	0.000
C	0.000	-20.003	0.000
D	0.000	-20.003	0.000
E	0.000	0.000	17.935
F	0.000	0.000	17.935

inches inches inches

H/V CORRECTOR
HV-21

SA50HV4
SR??

No Date

Description:
Fiducials based on known nominal values.

Quadrupole: Fiducial Values for Downstream (34Q) Quadrupole

Fiducial	Z	X	Y
TB1	-6.303	11.245	16.205
TB2	6.299	11.255	16.208
TB3	-6.342	-11.254	16.201
TB4	6.322	-11.251	16.204
TB5	-5.177	-15.202	-4.972
TB6	4.696	-15.202	-4.814

inches inches inches

SA50QF2
SR??

6/21.2001

Description:
Fiducials based on values posted on web-page. (Check for updates.)

Vacuum Chamber: Fiducial Values for BM1 Vacuum Chamber

Fiducial	Z	X	Y
TB1	-34.845	1.535	4.381
TB2	-34.940	8.460	4.403
TB3	10.915	4.152	2.360
TB4	34.550	-4.944	4.365
TB5	36.646	6.256	4.326
TB6	52.476	-1.868	2.230
TB7	55.653	-11.156	3.013
TB8	59.459	9.004	2.941
TB9	74.670	-20.346	4.372
TB0	76.940	-8.207	4.367

inches inches inches

SA50CM1
SR??

4/30/02

Description:
Fiducials based on values posted on web-page. (Check for updates.)

Building 750 Deck: Positions of Component Origins

750 Name	Z	X	Y	Yaw
SA50SD2	1.367	-3.500	0.000	0.0000
SA50CM1	2.450	-3.500	0.000	0.0000
SA50BD2	2.447	-3.534	0.000	-5.2941
SA50QD2	3.485	-3.694	0.000	-10.5882
SA50QF2	4.114	-3.811	0.000	-10.5882
	meters	meters	meters	degrees

Date of Deck File:

145D-50

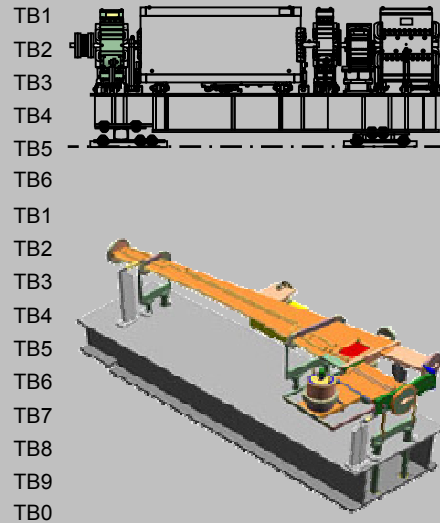
Location of Raft: WEST

Description:

Deck coordinates representing origin of the specific component's coordinate system.

Building 750 As-Built: (TABLE 1 of 2)

750 Name	delta Z	delta X	delta Y (delta H)
SA50SD2	-0.023	-0.008	0.001
	-0.030	-0.003	0.003
	-0.008	-0.003	0.000
	-0.014	0.001	-0.002
	-0.007	-0.002	-0.002
	-0.006	-0.002	-0.002
SA50CM1	0.012	0.001	0.004
	0.009	0.000	0.001
	0.007	-0.012	-0.015
	0.008	-0.003	0.001
	0.009	0.000	-0.008
	0.004	-0.010	-0.009
	0.006	-0.008	-0.003
	0.006	-0.004	-0.004
	-0.001	-0.011	-0.008
	0.001	-0.013	0.003
	inches	inches	inches



Latest File Date:

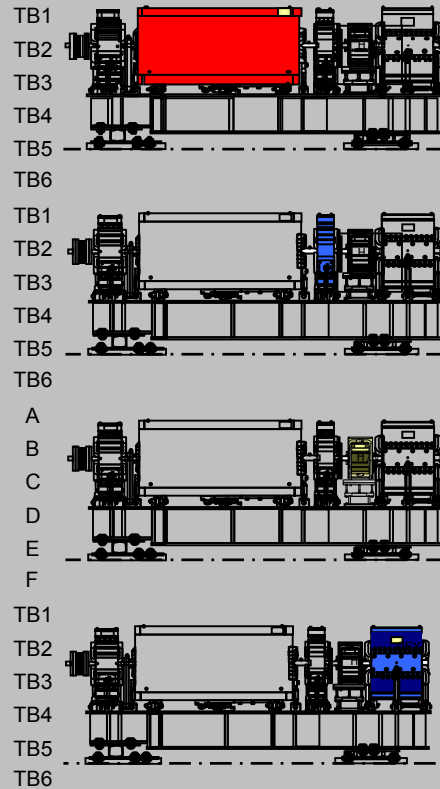
145D-50

Description:

Values representing the difference between the design and actual fiducial measurements.

Building 750 As-Built: (TABLE 2 of 2)

750 Name	delta Z	delta X	delta Y (delta H)
SA50BD2	-0.001	-0.005	0.000
	-0.005	-0.004	0.001
	0.004	-0.002	0.000
	0.000	0.003	0.002
	0.005	-0.004	0.005
	0.001	-0.001	0.004
SA50QD2	0.005	-0.007	-0.003
	0.001	0.000	0.003
	0.004	0.002	0.001
	0.001	-0.001	0.005
	0.000	0.000	0.000
	0.018	-0.004	-0.001
SA50HV4		0.017	
		0.004	
		0.013	
		0.007	
			-0.004
SA50QF2	-0.001	-0.005	-0.005
	-0.001	0.003	-0.003
	0.004	0.001	-0.005
	0.002	0.004	-0.004
	0.010	0.010	-0.010
	0.007	0.008	-0.008
	inches	inches	inches



Latest File Date: August 21, 2002

145D-50

Description:

Values representing the difference between the design and actual fiducial measurements.