

# Fid. Data Summary for 145D-2 Rafts

145D-49

## Raft Description:

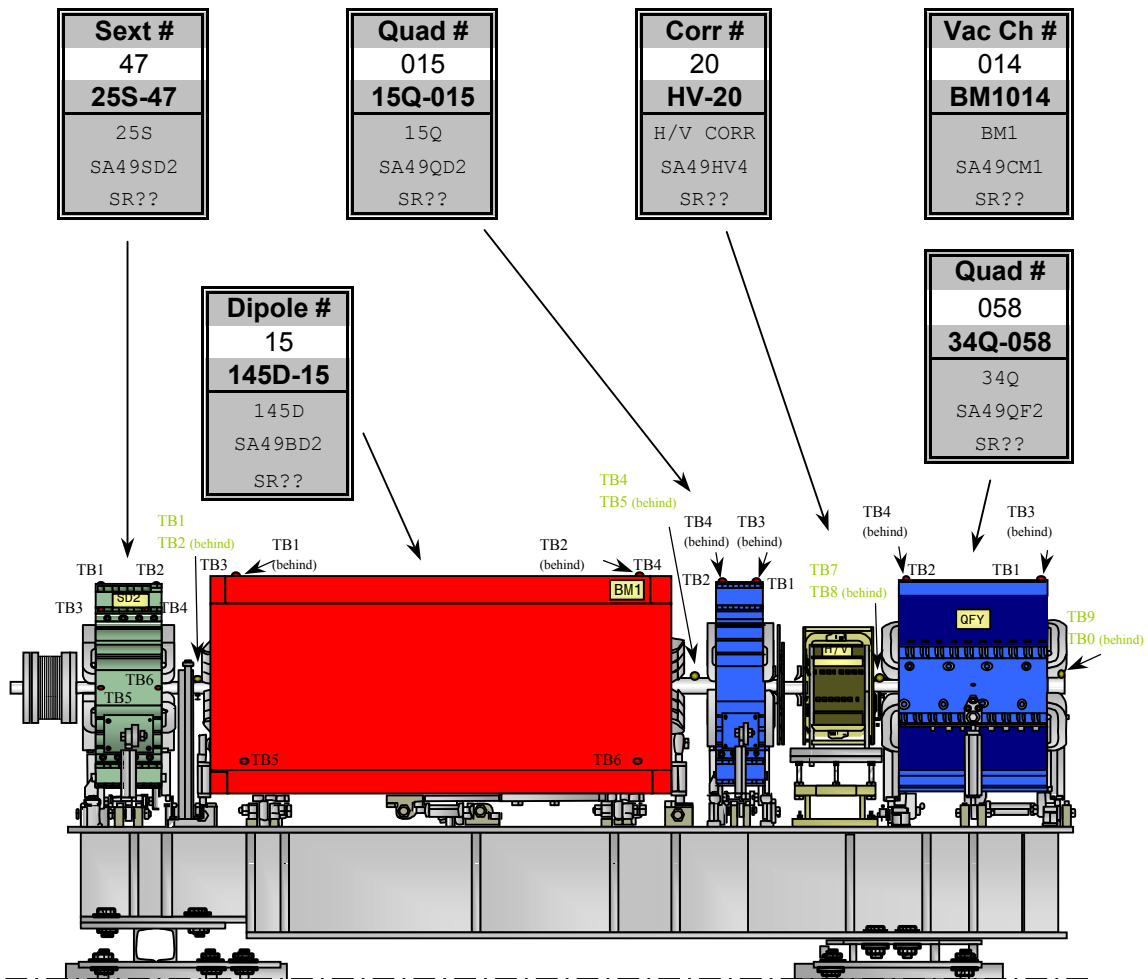
Date April 5, 2002

<b>Raft #</b> 49 145D-49	<b>Type</b> 2 145D T-2	<b>Bld. 750 Name</b> SA49	<b>S3 Ring Name</b> SR??
--------------------------------	------------------------------	------------------------------	-----------------------------

### Notes:

The above date represents the latest fiducial date of all components listed below.

Chamber As-Built show TRUE position after correcting for INSIGHT / NAM error.

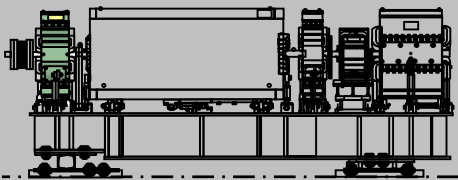


**Sextupole: Fiducial Values for 25S Sextupole**

Fiducial	Z	X	Y
TB1	-4.320	4.218	15.512
TB2	4.371	4.208	15.508
TB3	-4.389	-10.524	12.527
TB4	3.502	-10.533	12.520
TB5	-4.046	-15.065	0.131
TB6	4.108	-15.064	-0.021

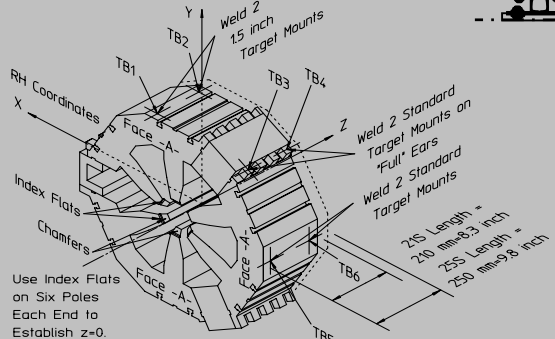
inches      inches      inches

**SEXTUPOLE**  
**25S-47**



SA49SD2  
SR??

8/24/01



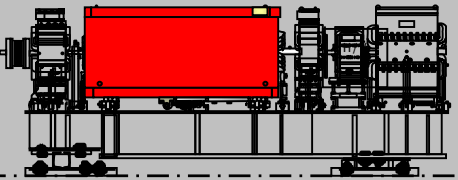
**Description:**  
Fiducials based on values posted on web-page. (Check for updates.)

**Gradient Dipole: Fiducial Values for Dipole (145D)**

Fiducial	Z	X	Y
TB1	-26.521	3.439	17.002
TB2	26.549	3.442	17.005
TB3	-26.529	-22.424	16.999
TB4	26.521	-22.422	17.004
TB5	-26.516	-24.271	-11.573
TB6	26.554	-24.272	-11.653

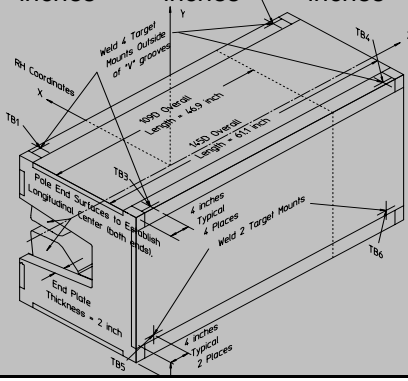
inches      inches      inches

**GRADIENT DIPOLE**  
**145D-15**



SA49BD2  
SR??

8/16/01



**Description:**  
Fiducials based on values posted on web-page. (Check for updates.)

**Quadrupole: Fiducial Values for Upstream (15Q) Quadrupole**

Fiducial	Z	X	Y
TB1	-2.577	11.254	16.197
TB2	2.578	11.250	16.200
TB3	-2.568	-11.247	16.200
TB4	2.604	-11.255	16.198
TB5	-1.460	-15.201	-4.817
TB6	2.352	-15.200	-4.771

inches inches inches

QUADRUPOLE  
**15Q-015**

SA49QD2  
SR??

8/8/01

**Description:**  
Fiducials based on values posted on web-page. (Check for updates.)

**H/V Corrector: Fiducial Values for Corrector**

Fiducial	Z	X	Y
1	-0.003	-0.323	-10.196
2	-0.002	-10.046	-10.205
A	0.000	-20.003	0.000
B	0.000	-20.003	0.000
C	0.000	-20.003	0.000
D	0.000	-20.003	0.000
E	0.000	0.000	17.935
F	0.000	0.000	17.935

inches inches inches

H/V CORRECTOR  
**HV-20**

SA49HV4  
SR??

No Date

**Description:**  
Fiducials based on known nominal values.

**Quadrupole: Fiducial Values for Downstream (34Q) Quadrupole**

Fiducial	Z	X	Y
TB1	-6.303	11.269	16.202
TB2	6.308	11.264	16.209
TB3	-6.314	-11.247	16.208
TB4	6.312	-11.254	16.211
TB5	-5.185	-15.204	-4.894
TB6	4.688	-15.203	-4.838

QUADRUPOLE  
**34Q-058**

SA49QF2  
SR??

6/20/01

**Description:**  
Fiducials based on values posted on web-page. (Check for updates.)

**Vacuum Chamber: Fiducial Values for BM1 Vacuum Chamber**

Fiducial	Z	X	Y
TB1	-34.830	1.437	4.405
TB2	-34.874	8.325	4.407
TB3	10.974	4.162	2.367
TB4	34.547	-4.945	4.374
TB5	36.562	6.226	4.376
TB6	52.494	-1.920	2.320
TB7	55.676	-11.199	3.092
TB8	59.397	8.948	3.075
TB9	74.649	-20.300	4.410
TB0	77.000	-7.935	4.396

VACUUM CHAMBER  
**BM1014**

SA49CM1  
SR??

4/5/02

**Description:**  
Fiducials based on values posted on web-page. (Check for updates.)

**Building 750 Deck: Positions of Component Origins**

750 Name	Z	X	Y	Yaw
SA49SD2	1.367	0.000	0.000	0.0000
SA49CM1	2.450	0.000	0.000	0.0000
SA49BD2	2.447	-0.034	0.000	-5.2941
SA49QD2	3.485	-0.194	0.000	-10.5882
SA49QF2	4.114	-0.311	0.000	-10.5882
	meters	meters	meters	degrees

Date of Deck File:

**145D-49**

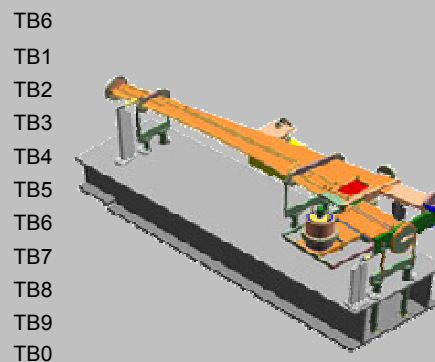
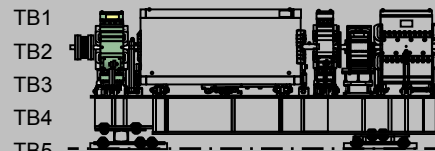
Location of Raft: EAST

**Description:**

Deck coordinates representing origin of the specific component's coordinate system.

**Building 750 As-Built: (TABLE 1 of 2)**

750 Name	delta Z	delta X	delta Y (delta H)
SA49SD2	-0.005	0.002	-0.002
	-0.008	0.004	-0.004
	-0.009	0.006	-0.003
	-0.006	0.000	-0.002
	-0.007	0.000	-0.002
	-0.009	0.003	-0.003
SA49CM1	-0.011	-0.003	-0.004
	-0.012	-0.004	-0.005
	-0.006	-0.006	0.003
	0.003	-0.006	0.004
	0.007	-0.010	-0.002
	0.000	-0.011	-0.022
	0.008	-0.016	-0.024
	0.007	-0.014	-0.025
	-0.006	0.001	-0.015
	-0.014	0.003	0.005
	inches	inches	inches



Latest File Date:

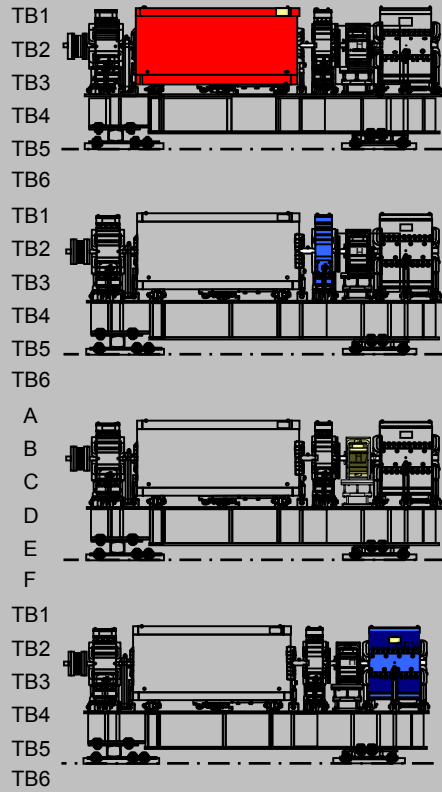
**145D-49**

**Description:**

Values representing the difference between the design and actual fiducial measurements.

**Building 750 As-Built: (TABLE 2 of 2)**

750 Name	delta Z	delta X	delta Y ( delta H )
SA49BD2	-0.003	-0.014	-0.001
	-0.009	-0.004	-0.003
	0.005	-0.010	-0.002
	-0.008	-0.008	-0.003
	-0.003	-0.004	-0.002
	-0.007	0.000	0.001
SA49QD2	0.009	0.000	-0.002
	0.008	0.004	0.001
	0.001	0.006	-0.001
	0.002	0.001	0.002
	0.000	0.000	0.000
	0.009	0.002	0.000
SA49HV4		0.003	
		-0.002	
		-0.003	
		0.003	
			-0.002
			-0.001
SA49QF2	-0.002	-0.003	-0.002
	-0.006	-0.001	-0.003
	0.000	0.000	-0.001
	-0.001	0.000	-0.003
	0.000	-0.001	-0.004
	0.000	0.000	-0.004
	inches	inches	inches



Latest File Date: August 7, 2002

145D-49

**Description:**

Values representing the difference between the design and actual fiducial measurements.