

Fid. Data Summary for 145D-1 Rafts

145D-72

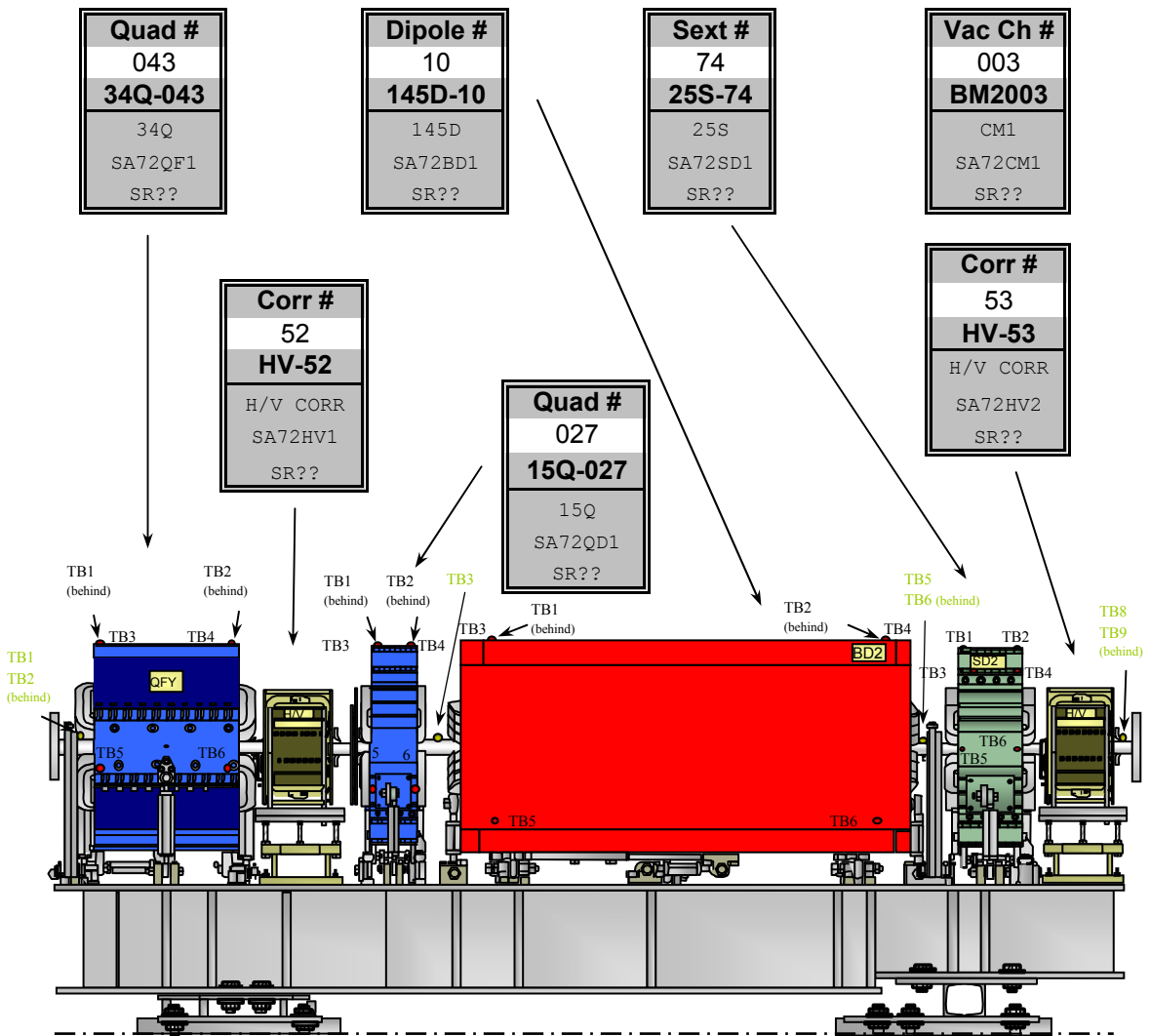
Raft Description:

Date November 8, 2002

Raft # 72 145D-72	Type 1 145D T-1	Bld. 750 Name SA72	S3 Ring Name SR??
--------------------------------	------------------------------	------------------------------	-----------------------------

Notes:

The above date represents the latest fiducial date of all components listed below.



Quadrupole: Fiducial Values for Upstream (34Q) Quadrupole

Fiducial	Z	X	Y
TB1	-6.323	11.246	16.199
TB2	6.290	11.242	16.203
TB3	-6.326	-11.251	16.201
TB4	6.311	-11.250	16.201
TB5	-5.213	-15.201	-4.717
TB6	4.514	-15.203	-4.717

inches inches inches

QUADRUPOLE
34Q-043

SA72QF1
SR??

10/23/01

Description:
Fiducials based on values posted on web-page. (Check for updates.)

Vacuum Chamber: Fiducial Values for BM2 Vacuum Chamber

Fiducial	Z	X	Y
TB1	-77.110	-6.156	4.389
TB2	-77.168	7.287	4.378
TB3	-34.833	0.118	4.373
TB4	0.341	3.893	2.369
TB5	34.451	-4.588	4.372
TB6	35.787	2.478	4.374
TB7	53.883	-4.258	2.423
TB8	58.104	-12.411	2.951
TB9	60.965	3.004	2.960
TB0	N/A	N/A	N/A

inches inches inches

VACUUM CHAMBER
BM2003

SA72CM1
SR??

11/8/02

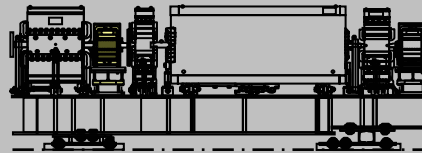
Description:
Fiducials based on values posted on web-page. (Check for updates.)

HV1 Corrector: Fiducial Values for Corrector

Fiducial	Z	X	Y
1	-0.003	-0.323	-10.196
2	-0.002	-10.046	-10.205
A	0.000	-20.003	0.000
B	0.000	-20.003	0.000
C	0.000	-20.003	0.000
D	0.000	-20.003	0.000
E	0.000	0.000	17.935
F	0.000	0.000	17.935

inches inches inches

**HV1 CORRECTOR
HV-52**



SA72HV1
SR??

No Date

Description:

Fiducials based on known nominal values.

Quadrupole: Fiducial Values for Upstream (15Q) Quadrupole

Fiducial	Z	X	Y
TB1	-2.543	11.237	16.198
TB2	2.578	11.225	16.197
TB3	-2.556	-11.238	16.200
TB4	2.557	-11.217	16.201
TB5	-1.483	-15.197	-4.769
TB6	2.443	-15.200	-4.772

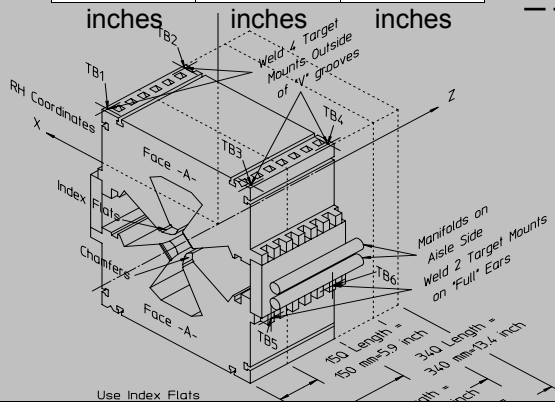
inches inches inches

**QUADRUPOLE
15Q-027**



SA72QD1
SR??

9/7/01



Description:

Fiducials based on values posted on web-page. (Check for updates.)

Gradient Dipole: Fiducial Values for Dipole (145D)

Fiducial	Z	X	Y
TB1	-26.514	3.427	17.004
TB2	26.527	3.434	17.007
TB3	-26.525	-22.423	17.000
TB4	26.545	-22.436	17.003
TB5	-26.499	-24.266	-11.410
TB6	26.629	-24.256	-11.511

inches inches inches

GRADIENT DIPOLE
145D-10

SA72BD1
SR??

7/10/01

Description:
Fiducials based on values posted on web-page. (Check for updates.)

Sextupole: Fiducial Values for 25S Sextupole

Fiducial	Z	X	Y
TB1	-4.312	4.219	15.508
TB2	4.267	4.202	15.511
TB3	-4.422	-10.504	12.532
TB4	3.469	-10.535	12.515
TB5	-4.498	-15.060	0.080
TB6	4.539	-15.063	0.058

inches inches inches

SEXTUPOLE
25S-74

SA72SD1
SR??

9/12/01

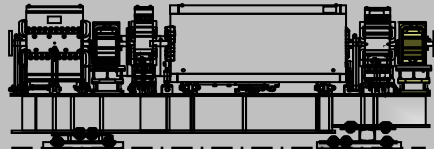
Description:
Fiducials based on values posted on web-page. (Check for updates.)

HV2 Corrector: Fiducial Values for Corrector

Fiducial	Z	X	Y
1	-0.003	-0.323	-10.196
2	-0.002	-10.046	-10.205
A	0.000	-20.003	0.000
B	0.000	-20.003	0.000
C	0.000	-20.003	0.000
D	0.000	-20.003	0.000
E	0.000	0.000	17.935
F	0.000	0.000	17.935

inches inches inches

HV2 CORRECTOR
HV-53



SA72HV2
SR??

No Date

Description:
Fiducials based on known nominal values.

Building 750 Deck: Positions of Component Origins

750 Name	Z	X	Y	Yaw
SA72QF1	-4.114	-3.811	0.000	10.5882
SA72QD1	-3.485	-3.694	0.000	10.5882
SA72CM1	-2.450	-3.500	0.000	10.5882
SA72BD1	-2.447	-3.534	0.000	5.2941
SA72SD1	-1.367	-3.500	0.000	0.0000

meters meters meters degrees

Date of Deck File: March 10, 2003

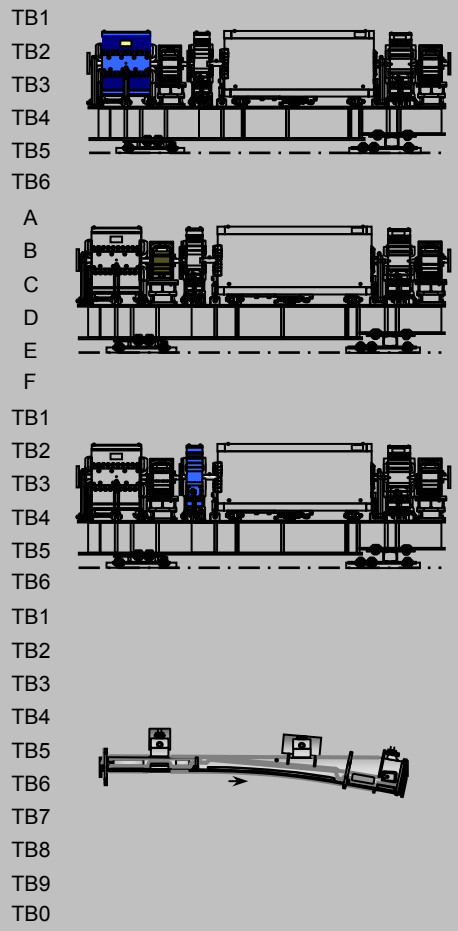
Location of Raft: WEST **145D-72**

Description:
Deck coordinates representing origin of the specific component's coordinate system.

Building 750 As-Built: (TABLE 1 of 2)

750 Name	delta Z	delta X	delta Y (delta H)
SA72QF1	0.003	0.007	-0.003
	-0.003	0.015	-0.001
	0.005	0.001	0.003
	0.002	0.001	0.003
	-0.002	0.006	0.001
	0.005	-0.007	0.003
SA72HV1		-0.002	
		-0.005	
		-0.014	
		-0.017	
			-0.004
			-0.001
SA72QD1	-0.002	-0.005	-0.003
	-0.003	-0.002	-0.001
	0.002	-0.006	0.002
	-0.001	0.001	0.001
	N/A	N/A	N/A
SA72CM1	0.021	-0.004	0.002
	0.022	0.018	3.001
	0.014	-0.005	-0.004
	0.007	0.002	-0.006
	0.004	-0.001	-0.001
	0.006	0.004	0.001
	0.005	-0.001	-0.001
	N/A	N/A	N/A
	-0.001	0.002	0.013
	0.004	0.004	-0.008
	N/A	N/A	N/A

inches inches inches



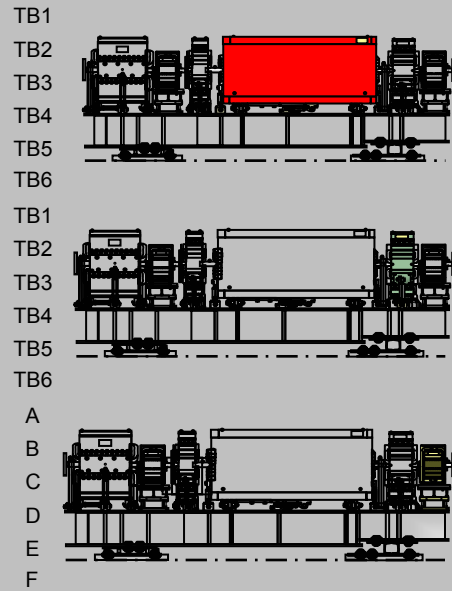
Latest File Date: March 12, 2003

145D-72

Description:
 Values representing the difference between the design and actual fiducial measurements.

Building 750 As-Built: (TABLE 2 of 2)

750 Name	delta Z	delta X	delta Y (delta H)
SA72BD1	0.004	-0.010	-0.005
	-0.003	-0.006	0.001
	0.003	0.002	-0.004
	0.001	0.002	-0.004
	0.005	0.000	-0.005
	0.001	0.007	-0.002
SA72SD1	0.010	-0.003	0.002
	0.008	-0.004	-0.003
	-0.004	0.005	0.001
	-0.002	0.000	0.002
	-0.007	0.002	0.000
	-0.007	-0.001	-0.002
SA72HV2		0.011	
		0.013	
		0.011	
		0.014	
			-0.004
			-0.003
	inches	inches	inches



Latest File Date: March 12, 2003

145D-72

Description:

Values representing the difference between the design and actual fiducial measurements.