

# Fid. Data Summary for 145D-1 Rafts

145D-70

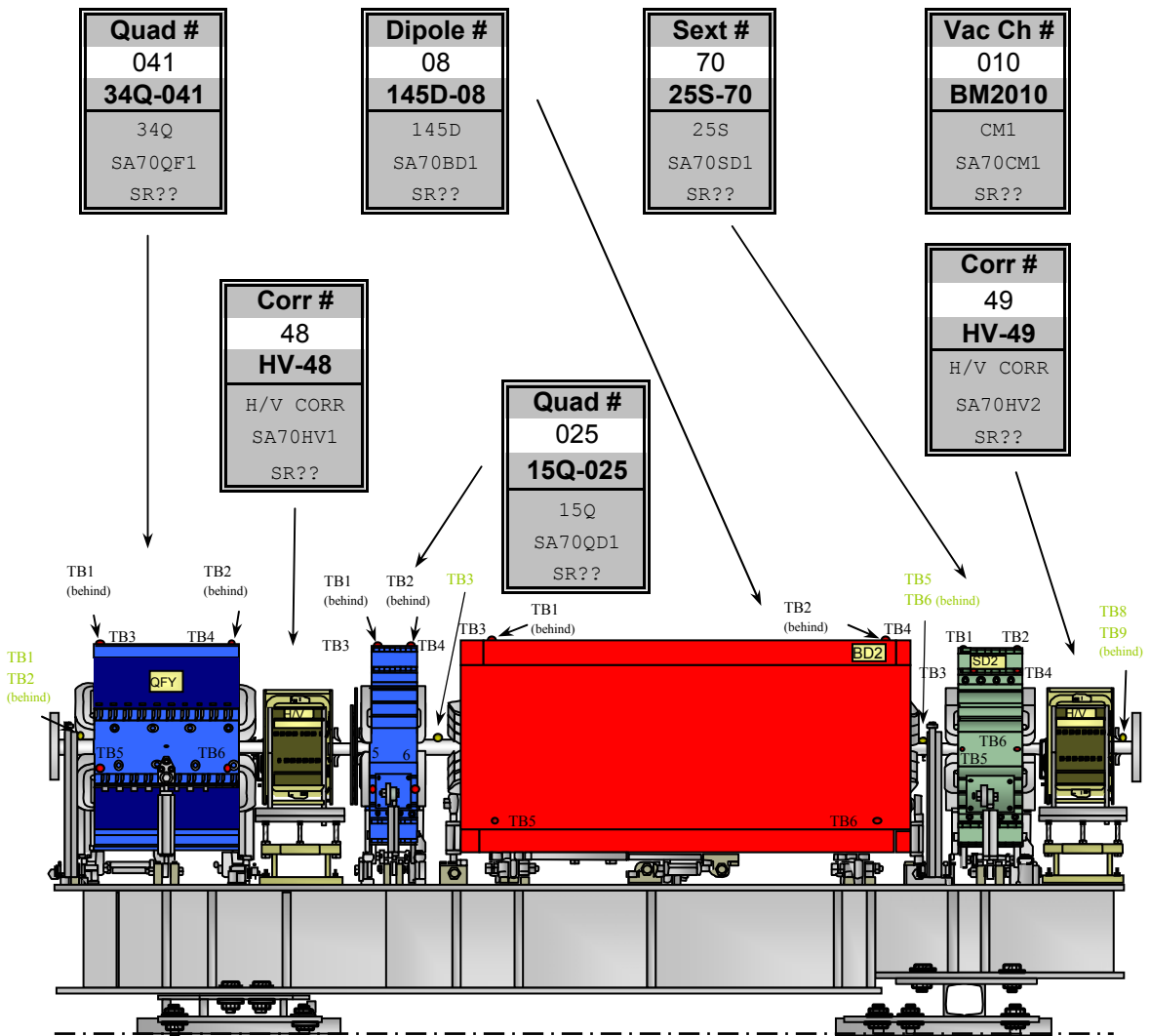
## Raft Description:

Date December 2, 2002

<b>Raft #</b> 70 145D-70	<b>Type</b> 1 145D T-1	<b>Bld. 750 Name</b> SA70	<b>S3 Ring Name</b> SR??
--------------------------------	------------------------------	------------------------------	-----------------------------

### Notes:

The above date represents the latest fiducial date of all components listed below.



**Quadrupole: Fiducial Values for Upstream (34Q) Quadrupole**

Fiducial	Z	X	Y
TB1	-6.303	11.238	16.196
TB2	6.330	11.242	16.204
TB3	-6.322	-11.245	16.203
TB4	6.332	-11.243	16.199
TB5	-5.210	-15.200	-4.808
TB6	4.620	-15.200	-4.844

inches inches inches

**QUADRUPOLE  
34Q-041**

SA70QF1  
SR??

**10/11/01**

**Description:**  
Fiducials based on values posted on web-page. (Check for updates.)

**Vacuum Chamber: Fiducial Values for BM2 Vacuum Chamber**

Fiducial	Z	X	Y
TB1	-77.127	-6.218	4.387
TB2	-77.244	7.223	4.402
TB3	-34.861	0.138	4.385
TB4	0.381	3.986	2.363
TB5	34.426	-4.633	4.370
TB6	35.795	2.424	4.371
TB7	53.834	-4.256	2.462
TB8	58.038	-12.408	2.952
TB9	60.929	2.966	2.966
TB0	N/A	N/A	N/A

inches inches inches

**VACUUM CHAMBER  
BM2010**

SA70CM1  
SR??

**12/2/02**

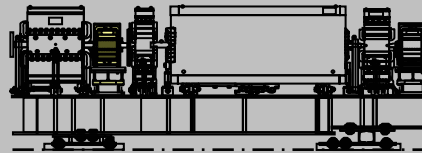
**Description:**  
Fiducials based on values posted on web-page. (Check for updates.)

**HV1 Corrector: Fiducial Values for Corrector**

Fiducial	Z	X	Y
1	-0.003	-0.323	-10.196
2	-0.002	-10.046	-10.205
A	0.000	-20.003	0.000
B	0.000	-20.003	0.000
C	0.000	-20.003	0.000
D	0.000	-20.003	0.000
E	0.000	0.000	17.935
F	0.000	0.000	17.935

inches inches inches

**HV1 CORRECTOR  
HV-48**



SA70HV1  
SR??

No Date

**Description:**

Fiducials based on known nominal values.

**Quadrupole: Fiducial Values for Upstream (15Q) Quadrupole**

Fiducial	Z	X	Y
TB1	-2.555	11.243	16.198
TB2	2.562	11.269	16.199
TB3	-2.568	-11.239	16.203
TB4	2.556	-11.232	16.197
TB5	-1.444	-15.200	-4.699
TB6	2.451	-15.201	-4.818

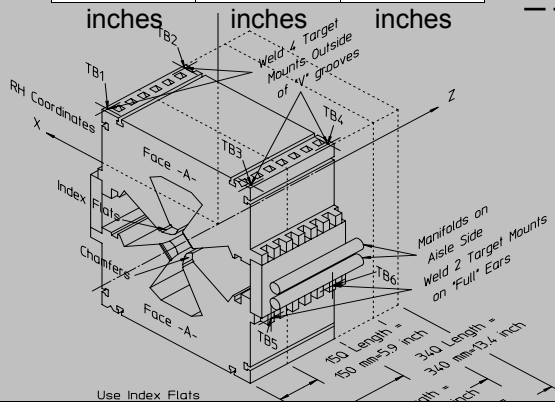
inches inches inches

**QUADRUPOLE  
15Q-025**



SA70QD1  
SR??

9/6/01



**Description:**

Fiducials based on values posted on web-page. (Check for updates.)

**Gradient Dipole: Fiducial Values for Dipole (145D)**

Fiducial	Z	X	Y
TB1	-26.573	3.433	17.008
TB2	26.544	3.436	17.007
TB3	-26.531	-22.426	17.000
TB4	26.477	-22.396	17.001
TB5	-26.431	-24.273	-11.378
TB6	26.623	-24.266	-11.577

inches inches inches

**GRADIENT DIPOLE**  
**145D-08**

SA70BD1  
SR??

6/8/01

**Description:**  
Fiducials based on values posted on web-page. (Check for updates.)

**Sextupole: Fiducial Values for 25S Sextupole**

Fiducial	Z	X	Y
TB1	-4.240	4.214	15.511
TB2	4.496	4.209	15.512
TB3	-4.460	-10.535	12.516
TB4	3.457	-10.554	12.505
TB5	-4.511	-15.067	0.017
TB6	4.546	-15.061	0.067

inches inches inches

**SEXTUPOLE**  
**25S-70**

SA70SD1  
SR??

8/9/01

**Description:**  
Fiducials based on values posted on web-page. (Check for updates.)

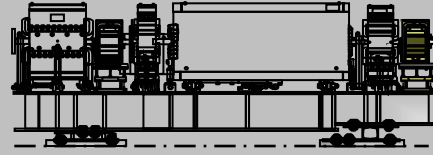
**HV2 Corrector: Fiducial Values for Corrector**

Fiducial	Z	X	Y
1	-0.003	-0.323	-10.196
2	-0.002	-10.046	-10.205
A	0.000	-20.003	0.000
B	0.000	-20.003	0.000
C	0.000	-20.003	0.000
D	0.000	-20.003	0.000
E	0.000	0.000	17.935
F	0.000	0.000	17.935

inches inches inches

**HV2 CORRECTOR**

**HV-49**



SA70HV2  
SR??

No Date

**Description:**

Fiducials based on known nominal values.

**Building 750 Deck: Positions of Component Origins**

750 Name	Z	X	Y	Yaw
SA70QF1	-4.114	-3.811	0.000	10.5882
SA70QD1	-3.485	-3.694	0.000	10.5882
SA70CM1	-2.450	-3.500	0.000	10.5882
SA70BD1	-2.447	-3.534	0.000	5.2941
SA70SD1	-1.367	-3.500	0.000	0.0000

meters meters meters

degrees

Date of Deck File: March 10, 2003

145D-70

Location of Raft: WEST

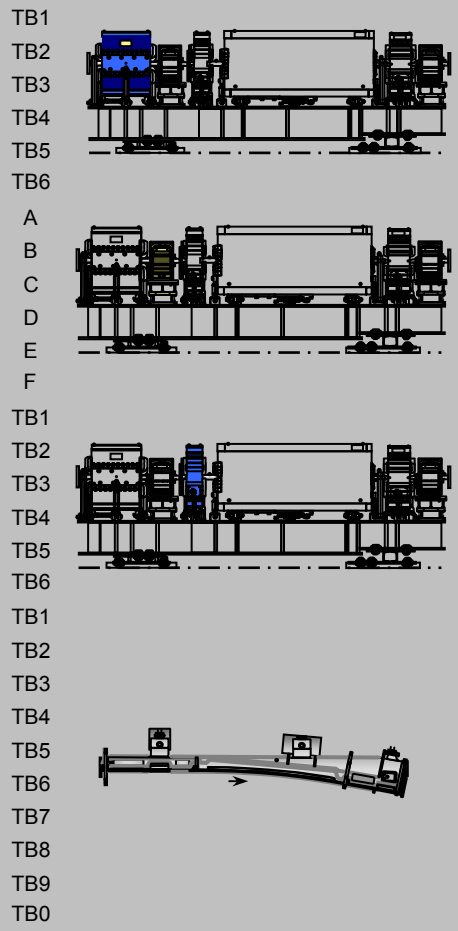
**Description:**

Deck coordinates representing origin of the specific component's coordinate system.

**Building 750 As-Built: (TABLE 1 of 2)**

750 Name	delta Z	delta X	delta Y ( delta H )
SA70QF1	0.004	-0.009	0.000
	-0.006	0.000	0.002
	-0.008	0.000	-0.004
	-0.014	0.005	0.005
	0.012	0.002	-0.004
	0.011	-0.004	0.001
SA70HV1		0.001	
		0.004	
		-0.008	
		-0.005	
			0.005
			0.007
SA70QD1	-0.002	0.004	-0.001
	0.000	0.003	-0.004
	0.002	0.008	0.003
	-0.003	0.012	0.001
	N/A	N/A	N/A
	-0.016	0.007	-0.003
SA70CM1	N/A	N/A	N/A
	N/A	N/A	N/A
	N/A	N/A	N/A
	N/A	N/A	N/A
	N/A	N/A	N/A
	N/A	N/A	N/A
	N/A	N/A	N/A
	N/A	N/A	N/A
	N/A	N/A	N/A
	N/A	N/A	N/A

inches          inches          inches



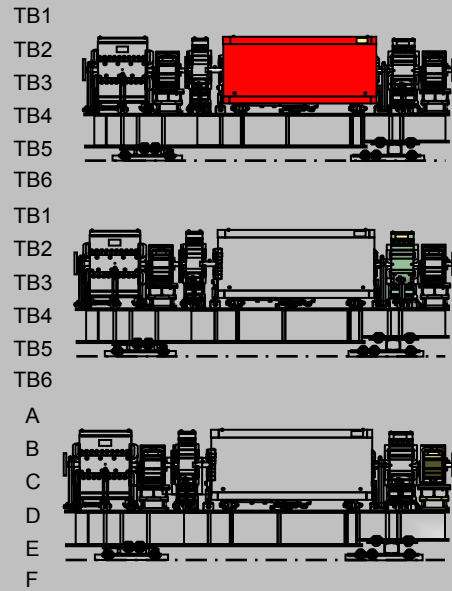
Latest File Date: March 3, 2003

**145D-70**

**Description:**  
 Values representing the difference between the design and actual fiducial measurements.

**Building 750 As-Built: (TABLE 2 of 2)**

750 Name	delta Z	delta X	delta Y ( delta H )
SA70BD1	-0.004	-0.002	0.002
	-0.012	0.002	0.000
	-0.002	0.001	-0.001
	-0.007	0.002	-0.003
	-0.005	0.012	-0.004
	-0.009	0.010	-0.007
SA70SD1	-0.015	0.002	0.000
	-0.015	-0.006	0.002
	-0.003	-0.002	-0.006
	-0.006	-0.005	0.001
	0.006	-0.006	-0.007
	0.003	-0.001	0.000
SA70HV2		-0.006	
		-0.007	
		-0.006	
		-0.004	
			-0.002
			0.003
	inches	inches	inches



Latest File Date: March 3, 2003

**145D-70**

**Description:**

*Values representing the difference between the design and actual fiducial measurements.*