

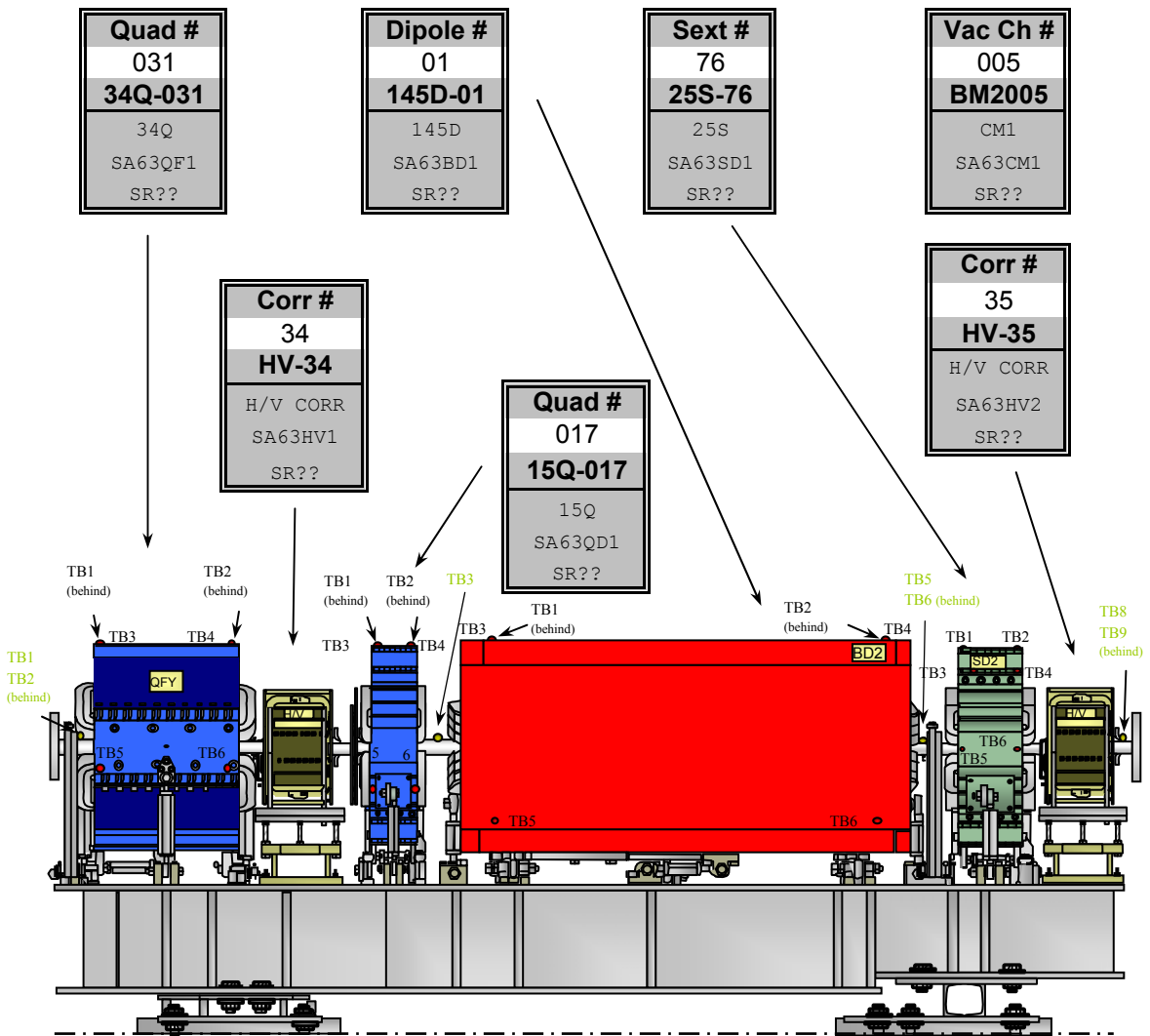
Raft Description:

Date October 3, 2002

Raft # 63 145D-63	Type 1 145D T-1	Bld. 750 Name SA63	S3 Ring Name SR??
--------------------------------	------------------------------	------------------------------	-----------------------------

Notes:

The above date represents the latest fiducial date of all components listed below.



Quadrupole: Fiducial Values for Upstream (34Q) Quadrupole

Fiducial	Z	X	Y
TB1	-6.300	11.235	16.205
TB2	6.320	11.244	16.205
TB3	-6.302	-11.213	16.203
TB4	6.310	-11.246	16.203
TB5	-5.201	-15.201	-4.716
TB6	4.586	-15.200	-4.710

inches inches inches

QUADRUPOLE
34Q-031

SA63QF1
SR??

2/22/02

Description:
Fiducials based on values posted on web-page. (Check for updates.)

Vacuum Chamber: Fiducial Values for BM2 Vacuum Chamber

Fiducial	Z	X	Y
TB1	-77.091	-6.230	4.377
TB2	-77.172	7.245	4.390
TB3	-34.838	0.136	4.370
TB4	0.351	4.007	2.375
TB5	34.507	-4.669	4.378
TB6	35.909	2.451	4.367
TB7	53.921	-4.287	2.460
TB8	58.093	-12.429	2.949
TB9	61.061	2.978	2.951
TB0	N/A	N/A	N/A

inches inches inches

VACUUM CHAMBER
BM2005

SA63CM1
SR??

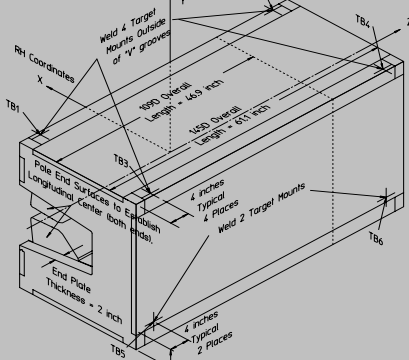
10/3/02

Description:
Fiducials based on values posted on web-page. (Check for updates.)

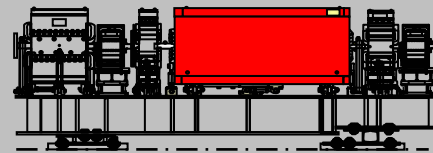
Gradient Dipole: Fiducial Values for Dipole (145D)

Fiducial	Z	X	Y
TB1	-26.546	3.434	17.008
TB2	26.565	3.447	16.997
TB3	-26.525	-22.415	16.999
TB4	26.552	-22.405	17.001
TB5	-26.230	-24.241	-11.100
TB6	26.465	-24.268	-11.434

inches inches inches



**GRADIENT DIPOLE
145D-01**



SA63BD1
SR??

4/30/01

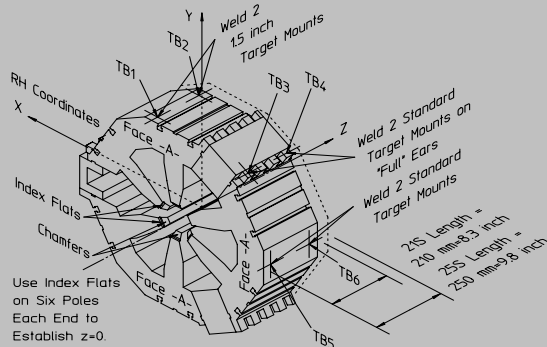
Description:

Fiducials based on values posted on web-page. (Check for updates.)

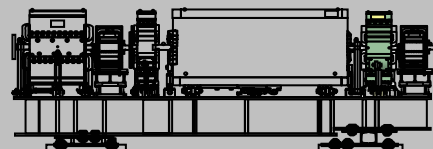
Sextupole: Fiducial Values for 25S Sextupole

Fiducial	Z	X	Y
TB1	-4.400	4.163	15.507
TB2	4.391	4.166	15.504
TB3	-4.405	-10.528	12.521
TB4	3.450	-10.518	12.527
TB5	-4.521	-15.061	0.022
TB6	4.547	-15.063	0.026

inches inches inches



**SEXTUPOLE
25S-76**



SA63SD1
SR??

9/12/01

Description:

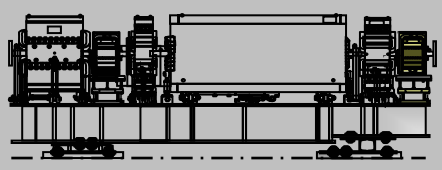
Fiducials based on values posted on web-page. (Check for updates.)

HV2 Corrector: Fiducial Values for Corrector

Fiducial	Z	X	Y
1	-0.003	-0.323	-10.196
2	-0.002	-10.046	-10.205
A	0.000	-20.003	0.000
B	0.000	-20.003	0.000
C	0.000	-20.003	0.000
D	0.000	-20.003	0.000
E	0.000	0.000	17.935
F	0.000	0.000	17.935

inches inches inches

HV2 CORRECTOR
HV-35



SA63HV2
SR??

No Date

Description:
Fiducials based on known nominal values.

Building 750 Deck: Positions of Component Origins

750 Name	Z	X	Y	Yaw
SA63QF1	-4.114	-0.311	0.000	10.5882
SA63QD1	-3.485	-0.194	0.000	10.5882
SA63CM1	-2.450	0.000	0.000	10.5882
SA63BD1	-2.447	-0.034	0.000	5.2941
SA63SD1	-1.367	0.000	0.000	0.0000

meters meters meters degrees

Date of Deck File: March 10, 2003

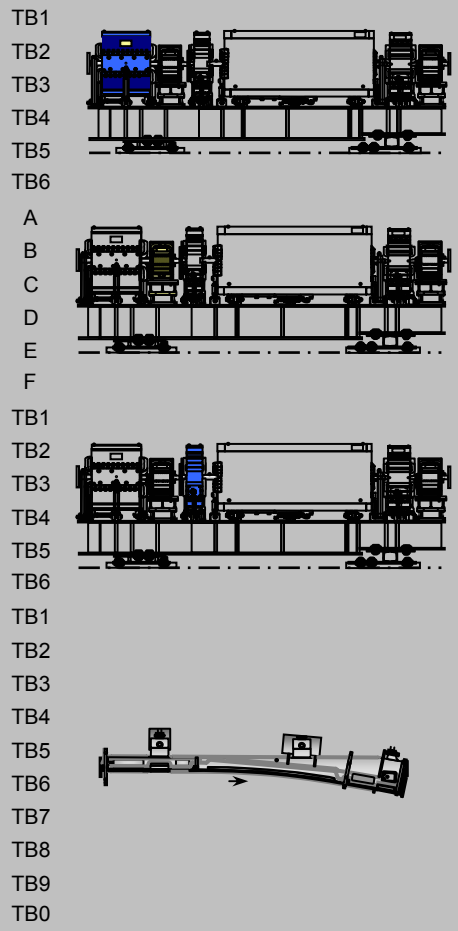
Location of Raft: EAST

145D-63

Description:
Deck coordinates representing origin of the specific component's coordinate system.

Building 750 As-Built: (TABLE 1 of 2)

750 Name	delta Z	delta X	delta Y (delta H)
SA63QF1	-0.001	0.000	-0.002
	-0.004	-0.006	0.002
	-0.016	-0.002	0.003
	-0.013	-0.003	0.009
	N/A	N/A	N/A
	N/A	N/A	N/A
SA63HV1		0.023	
		0.027	
		0.033	
		0.025	
			0.000
			0.006
SA63QD1	N/A	N/A	N/A
	N/A	N/A	N/A
	N/A	N/A	N/A
	N/A	N/A	N/A
	N/A	N/A	N/A
	N/A	N/A	N/A
SA63CM1	-0.006	0.001	3.001
	0.013	0.001	-0.002
	0.010	0.016	0.001
	0.014	0.015	0.011
	0.002	0.005	0.002
	0.010	0.002	0.003
	0.015	-0.004	-0.011
	0.025	-0.011	2.987
	0.014	-0.006	-0.017
	N/A	N/A	N/A
		inches	inches



Latest File Date: January 24, 2003

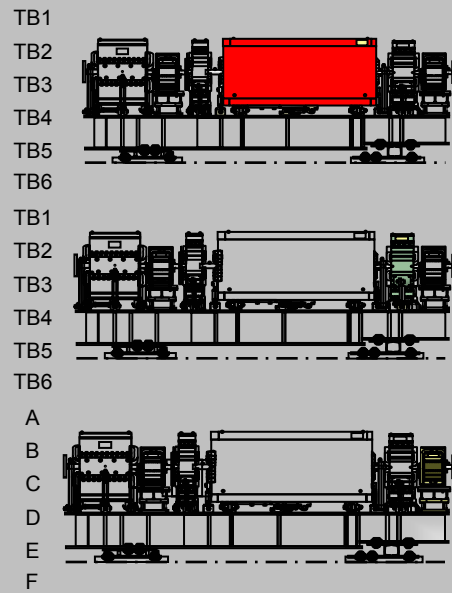
145D-63

Description:
 Values representing the difference between the design and actual fiducial measurements.

Building 750 As-Built: (TABLE 2 of 2)

**750 Name delta Z delta X delta Y
(delta H)**

SA63BD1	N/A	N/A	N/A
	N/A	N/A	N/A
	N/A	N/A	N/A
	N/A	N/A	N/A
	N/A	N/A	N/A
	N/A	N/A	N/A
SA63SD1	N/A	N/A	N/A
	N/A	N/A	N/A
	N/A	N/A	N/A
	N/A	N/A	N/A
	N/A	N/A	N/A
	N/A	N/A	N/A
SA63HV2		N/A	
		N/A	
		N/A	
		N/A	
			N/A
			N/A
	inches	inches	inches



Latest File Date:

145D-63

Description:

Values representing the difference between the design and actual fiducial measurements.