

SSRL

3-3-08

BL 14-3 HUTCH STOPPER  
SETTING BRICKS

J.M., L.C.

(Y)

15.810 ABOVE FRAME TOP  
8.500 B/L ABOVE FRAME TOP

$\sqrt{+7.310 HI}$

u/s & d/s  
INSERT  
3.600  $\phi$

BRICKS  
3.250 x 3.250

PITCH u/s & d/s  
INSERTS

ROLL

(+) SIDE FLANGE  
FACE 13.250  $\phi$   
TOP & BOTTOM  
16.988 B  
14.986 T

INSERTS

$\begin{array}{r} \text{u/s) } 7.310 \\ \underline{1.800 R} \\ 5.510 \text{ 3/2} \\ \underline{5.518} \\ \boxed{-008} \end{array}$	$\begin{array}{r} \text{d/s) } 7.310 \\ \underline{1.800 R} \\ 5.510 \text{ 3/2} \\ \underline{5.518} \\ \boxed{-008} \end{array}$	$\begin{array}{r} 5.518 \\ \underline{1.800 R} \\ 7.318 HI \\ \underline{15.810 REF.} \\ 8.492 = \phi \\ \underline{11.038} \\ 2.546 HI \end{array}$
--	--	--

BRICKS D/S END

<u>u/s</u>		<u>D/S</u>	
$\begin{array}{r} (+) 2.546 \\ \underline{1.625 \text{ 1/2}} \\ .921 \text{ 3/2} \\ \underline{.921} \\ \boxed{\phi} \end{array}$	$\begin{array}{r} (-) .921 \text{ 3/2} \\ \underline{.920} \\ \boxed{+001} \end{array}$	$\begin{array}{r} (+) 2.546 \\ \underline{1.625} \\ .921 \text{ 3/2} \\ \underline{.922} \\ \boxed{-001} \end{array}$	$\begin{array}{r} (-) .921 \text{ 3/2} \\ \underline{.922} \\ \boxed{-001} \end{array}$

u/s END (+)  
.921 3/2  
.924

$\sqrt{-003}$



SSRL

3-3-08

BL 14-3 HUTCH STOPPETZ

J.M., L.G.

④ 7.318 HI

$$\begin{array}{r} 1) \ 2.927 \\ \quad 1.000 \\ \hline 3.927 \\ 7.318 \end{array}$$

+3.391

$$\begin{array}{r} 2) \ 2.927 \\ \quad 1.000 \\ \hline 3.927 \\ 7.318 \end{array}$$

+3.391

$$\begin{array}{r} 3) \ 3.466 \\ \quad 1.000 \\ \hline 4.466 \\ 7.318 \end{array}$$

+2.852

$$\begin{array}{r} 4) \ 3.450 \\ \quad 1.000 \\ \hline 4.450 \\ 7.318 \end{array}$$

+2.868

$$\begin{array}{r} 5) \ 5.391 \\ \quad 1.000 \\ \hline 6.391 \\ 7.318 \end{array}$$

+13.709

$$\begin{array}{r} 6) \ 5.355 \\ \quad 1.000 \\ \hline 6.355 \\ 7.318 \end{array}$$

+13.673

$$\begin{array}{r} 7) \ 5.389 \\ \quad 1.000 \\ \hline 6.389 \\ 7.318 \end{array}$$

+13.707

$$\begin{array}{r} 8) \ 5.370 \\ \quad 1.000 \\ \hline 6.370 \\ 7.318 \end{array}$$

+13.688

TRAVEL

$$\begin{array}{r} 5) \ 5.391 \text{ DOWN} \\ \quad 8.400 \text{ UP} \\ \hline 3.009 \end{array} \Delta$$

$$\begin{array}{r} 6) \ 5.355 \text{ DOWN} \\ \quad 8.370 \text{ UP} \\ \hline 3.015 \end{array} \Delta$$

SSRL

3-3-08

(X)

BL14-3 HUTCH STOPPER

J.M., L.G.

1.800 o/s  
1.800 u/s

18,600  
18,737  
20,000  
19,939

19,569 s/n  
19,569 s/n

+ 21,369 cos

BRICKS

u/s

u/s) 21.369  
1.625  
19.744 1/2  
19.743

+001

o/s

o/s) 19.744 1/2  
19.743  
19.744 1/2  
19.750

-006

1) 16.538  
1.000  
17.538  
21.369

+3.831

2) 16.545  
1.000  
17.545  
21.369

+3.824

3) 22.565  
1.000  
23.565  
21.369

-2.196

4) 22.584  
1.000  
23.584  
21.369

-2.215

5) 17.383  
1.000  
18.383  
21.369

+2.986

6) 17.383  
1.000  
18.383  
21.369

+2.986

7) 6.505  
1.500  
6.005  
2.986

-3.019

8) 6.505  
1.500  
6.005  
2.986

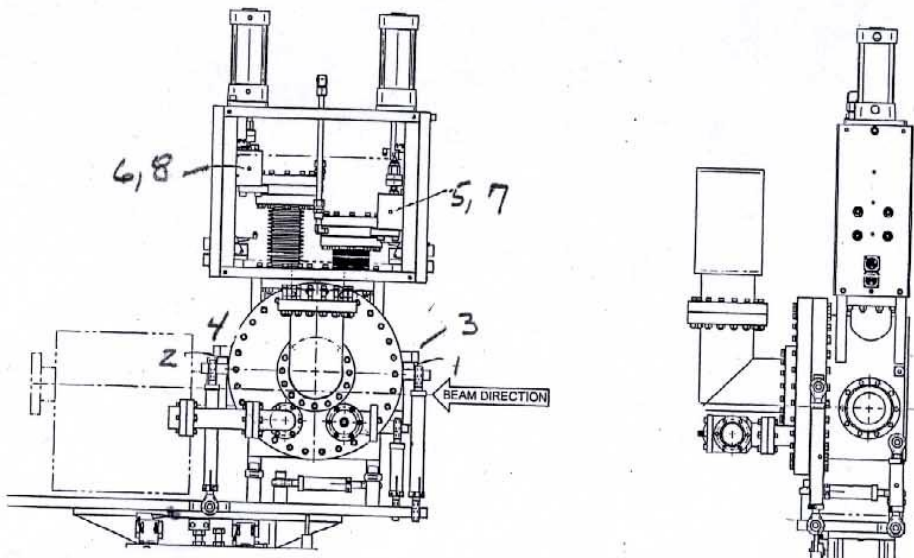
-3.019

6-8

SSRL

3-3-08

BL14-3 HUTCH STOPPER



	X	Y	Z
1	3.831	3.391	-7.058
2	3.824	3.391	7.047
3	-2.196	2.852	-8.765
4	-2.215	2.868	8.731
5	2.986	13.709	-5.315
6	2.986	13.673	5.384
7	-3.019	13.707	-5.332
8	-3.019	13.688	5.388