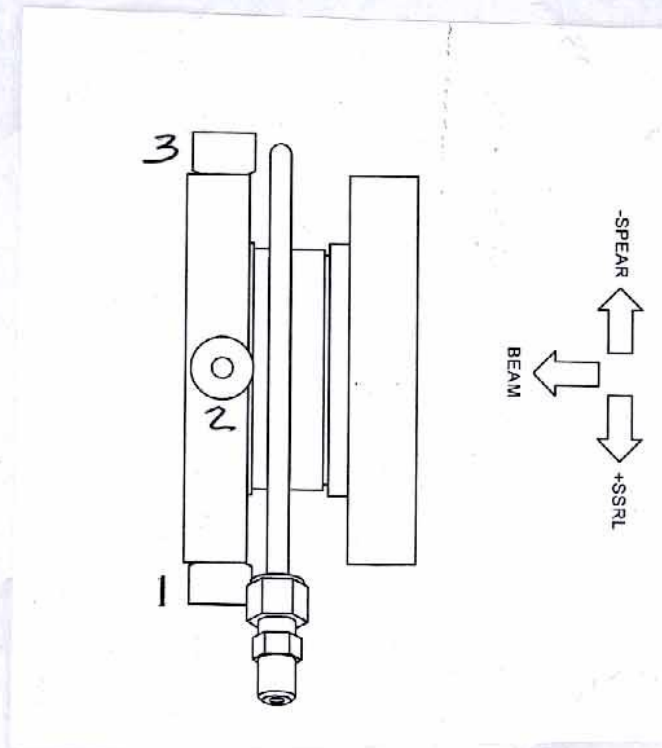


BL13 SHIELD WALL APERTURE



	X	Y	Z
1	+3.807 ✓	-1.008	+ .634 ✓
2	+1.004 ✓	+3.790	+ .659 ✓
3	-3.781 ✓	+1.087 ✓	+ .667 ✓

SSRL 5-23-07
 BL13 SHIELD WALL APERTURE J.M., L.G.

(X)

1.430R
 1.430R

 18.000
 17.980
 17.000
 16.987
 15.143
 15.143
 = 16.573 LOS

W/S FC
 16.573
 1.798R
 14.775 S/R
 14.776
 [+.001]

1) 9.503
 10.877

 20.380
 16.573

 [+3.807]

2) 15.577
 1.000

 16.577
 16.573

 [+.004]

3) 11.792
 1.000

 12.792
 16.573

 [-3.781]

-16.573 LOS
 20.000 REF.

 3.427 = t

(-) SIDE
 3.427
 .138 1/2 AP.

 3.565 S/R
 +.002

(+) SIDE
 3.565
 -.273

 3.292 S/R
 +.002

SSRL

5-22-07
J.M., L.G.

BL13 SHIELD WALL APERTURE

Y

$(-).076$ to BOTTOM
12.431 REF.

~~12.355 BOT. ON REF.~~
~~.276 to TOP~~

~~12.631 S/R 4TOP~~

$+ .018$ to TOP
12.636 REF.

~~12.654 TOP ON REF~~
~~.138 1/2 APER.~~

~~12.516 = ϕ~~
~~18.460 GUNZ~~

~~+5.944 HT~~

NO ROLL
NO PITCH

$$\begin{array}{r}
 1) \ 4.952 \\
 \underline{1.000} \\
 5.952 \\
 5.944 \\
 \boxed{-1.008}
 \end{array}$$

$$\begin{array}{r}
 2) \ 1.154 \\
 \underline{1.000} \\
 2.154 \\
 5.944 \\
 \boxed{+3.790}
 \end{array}$$

$$\begin{array}{r}
 3) \ 4.857 \\
 \underline{1.000} \\
 5.857 \\
 5.944 \\
 \boxed{+1.087}
 \end{array}$$

2.860 DIA BODY

u/s FL 3.596 DIA

18.460

5.944

1.798

4.146 S/R

4.151

$\boxed{-1.005}$

SSRL

5-23-07

BL 13 SHIELD WALL APERTURE

J.M., L.G.

⑦

$$\begin{array}{r} 14.353 \\ 422 \frac{1}{2} \text{ BOOY} \\ \hline + 14.775 \text{ LOS} \end{array}$$

1) 13.141

1.000

14.141

14.775

+1.634

2) 13.116

1.000

14.116

14.775

+1.659

3) 13.108

1.000

14.108

14.775

+1.667