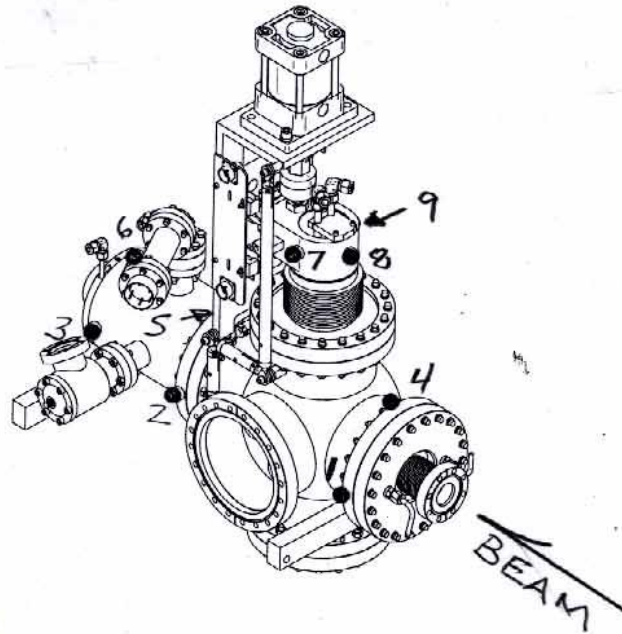


BL 13 MOVEABLE MASK



	X	Y	Z
1	+5.475 ✓	+ .050 ✓	-20.355 ✓
2	+5.484 ✓	+ .065 ✓	-7.270 ✓
3	+4.489 ✓	+ .079 ✓	+ .443 ✓
4	+ .004 ✓	+5.467 ✓	-20.370 ✓
5	- .032 ✓	+5.496 ✓	-7.268 ✓
6	- .017 ✓	+4.498 ✓	+ .438 ✓
7	+3.330 ✓	+12.378 ✓	-14.018 ✓
8	- .040 ✓	+12.392 ✓	-17.610 ✓
9	-3.468 ✓	+12.386 ✓	-14.003 ✓

SSRL
BL 13 MOVEABLE MASK
LAB DATA

6-8-07
M.R., LG

⊗ +32.41705

$$\begin{array}{r} 1) \ 25.942 \\ \quad 1.000 \\ \hline 26.942 \checkmark \\ 32.417 \\ \hline \boxed{+5.475} \checkmark \end{array}$$

$$\begin{array}{r} 2) \ 25.933 \\ \quad 1.000 \\ \hline 26.933 \checkmark \\ 32.417 \\ \hline \boxed{+5.484} \checkmark \end{array}$$

$$\begin{array}{r} 3) \ 26.928 \\ \quad 1.000 \\ \hline 27.928 \checkmark \\ 32.417 \\ \hline \boxed{+4.489} \checkmark \end{array}$$

$$\begin{array}{r} 4) \ 31.413 \\ \quad 1.000 \\ \hline 32.413 \checkmark \\ 32.417 \\ \hline \boxed{+0.004} \checkmark \end{array}$$

$$\begin{array}{r} 5) \ 31.449 \\ \quad 1.000 \\ \hline 32.449 \checkmark \\ 32.417 \\ \hline \boxed{-0.032} \checkmark \end{array}$$

$$\begin{array}{r} 6) \ 31.434 \\ \quad 1.000 \\ \hline 32.434 \checkmark \\ 32.417 \\ \hline \boxed{-0.017} \checkmark \end{array}$$

$$\begin{array}{r} 7) \ 7.298 \text{ (7-9)} \\ \quad 1.500 \\ \hline 6.798 \checkmark \\ 32.468 \\ \hline \boxed{+3.330} \checkmark \end{array}$$

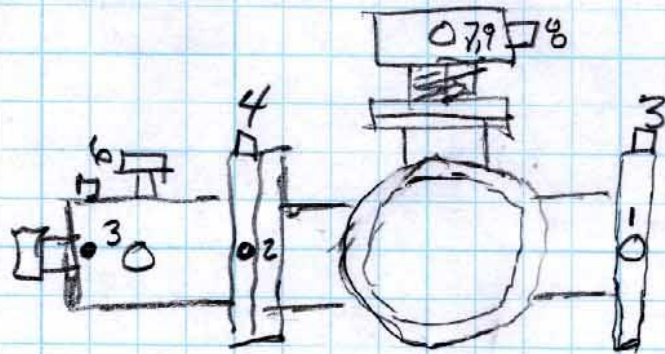
$$\begin{array}{r} 8) \ 31.457 \\ \quad 1.000 \\ \hline 32.457 \checkmark \\ 32.417 \\ \hline \boxed{-0.040} \checkmark \end{array}$$

$$\begin{array}{r} 9) \ 16.545 \\ \quad 19.340 \\ \hline 35.885 \checkmark \\ 32.417 \\ \hline \boxed{-3.468} \checkmark \end{array}$$

SSRL
BL13 MOVEABLE MASK
LAB DATA

6-8-07
MIR, L.G.

① + 8.541



$$\begin{array}{r}
 1) \quad 7.491 \\
 \underline{1.000} \\
 8.491 \checkmark \\
 8.541 \\
 \boxed{+1.050} \checkmark
 \end{array}$$

$$\begin{array}{r}
 2) \quad 7.476 \\
 \underline{1.000} \\
 8.476 \checkmark \\
 8.541 \\
 \boxed{+1.065} \checkmark
 \end{array}$$

$$\begin{array}{r}
 3) \quad 7.462 \\
 \underline{1.000} \\
 8.462 \checkmark \\
 8.541 \\
 \boxed{+1.079} \checkmark
 \end{array}$$

$$\begin{array}{r}
 4) \quad 2.074 \\
 \underline{1.000} \\
 3.074 \checkmark \\
 8.541 \\
 \boxed{+5.467} \checkmark
 \end{array}$$

$$\begin{array}{r}
 5) \quad 2.045 \\
 \underline{1.000} \\
 3.045 \checkmark \\
 8.541 \\
 \boxed{+5.496} \checkmark
 \end{array}$$

$$\begin{array}{r}
 6) \quad 3.043 \\
 \underline{1.000} \\
 4.043 \checkmark \\
 8.541 \\
 \boxed{+4.498} \checkmark
 \end{array}$$

SSRL
BL13 MOVEABLE MASK
LAB DATA

6-8-07
M.R., L.G.

(Y)

$$\begin{array}{r} +050 \\ 1) 16.140 \\ \hline 17.140 \checkmark \\ (+).050 \\ \hline 17.190 \checkmark \end{array}$$

$$\begin{array}{r} 5.467 \\ 4) 10.722 \\ \hline 11.722 \checkmark \\ 5.467 \\ \hline 17.189 \checkmark \end{array}$$

17.190 HI ✓

$$\begin{array}{r} 7) 3.812 \\ 1.000 \\ \hline 4.812 \checkmark \\ 17.190 \\ \hline +12.378 \checkmark \end{array}$$

$$\begin{array}{r} 8) 3.798 \\ 1.000 \\ \hline 4.798 \checkmark \\ 17.190 \\ \hline +12.392 \checkmark \end{array}$$

$$\begin{array}{r} 9) 3.804 \\ 1.000 \\ \hline 4.804 \checkmark \\ 17.190 \\ \hline +12.386 \checkmark \end{array}$$

SSRL
BL13 MOVEABLE MASK

6-8-07
M.R., L.G.

(Z)

$$\begin{array}{r} 9.220 \\ - 20.450 \text{ u/s END OF MASK} \\ \hline -29.670 \checkmark \text{LOS} \end{array}$$

$$\begin{array}{r} T/BZ) 3.950 \\ 12.528 \\ \hline 16.478 \checkmark \\ \rightarrow 7.270 \text{ VAL.} \\ + 9.208 \text{ LOS} \checkmark \\ (3, 5, 6) \end{array}$$

$$\begin{array}{r} 1) 8.315 \\ 1.000 \\ \hline 9.315 \checkmark \\ 29.670 \\ \hline -20.355 \checkmark \end{array}$$

$$\begin{array}{r} 2) 3.029 \\ 19.371 \\ \hline 22.400 \checkmark \\ 29.670 \\ \hline -7.270 \checkmark \end{array}$$

$$\begin{array}{r} 3) 7.765 \\ 1.000 \\ \hline 8.765 \checkmark \\ 9.208 \\ \hline +.443 \end{array}$$

$$\begin{array}{r} 4) 8.300 \\ 1.000 \\ \hline 9.300 \checkmark \\ 29.670 \\ \hline -20.370 \checkmark \end{array}$$

$$\begin{array}{r} 5) 3.948 \\ 12.528 \\ \hline 16.476 \checkmark \\ 9.208 \\ \hline -7.268 \checkmark \end{array}$$

$$\begin{array}{r} 6) 7.770 \\ 1.000 \\ \hline 8.770 \checkmark \\ 9.208 \\ \hline +.438 \checkmark \end{array}$$

$$\begin{array}{r} 7) 14.652 \\ 1.000 \\ \hline 15.652 \checkmark \\ 29.670 \\ \hline -14.018 \checkmark \end{array}$$

$$\begin{array}{r} 8) 11.060 \\ 1.000 \\ \hline 12.060 \checkmark \\ 29.670 \\ \hline -17.610 \checkmark \end{array}$$

$$\begin{array}{r} 9) 14.667 \\ 1.000 \\ \hline 15.667 \checkmark \\ 29.670 \\ \hline -14.003 \checkmark \end{array}$$