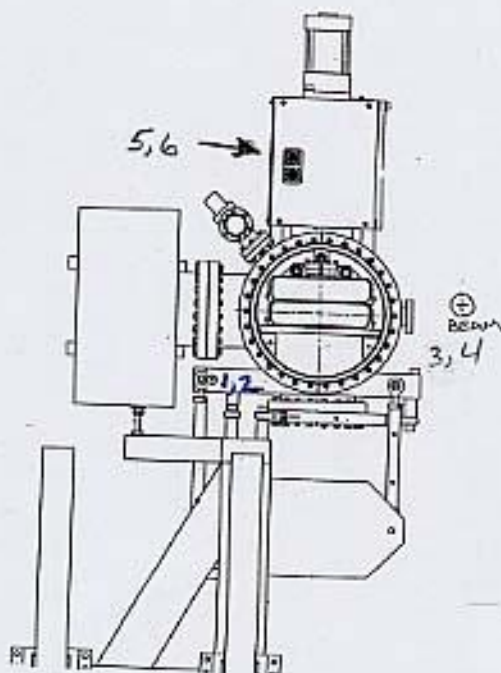


SSRL
BL13 INJ. STOPPER

3/06



	X	Y	Z
1	+8.660	-5.786	+7.947
2	+8.637	-5.662	-8.063
3	-7.806	-3.162	+5.519
4	-7.837	-3.184	-5.501
5	+2.132	+10.556	—
6	+2.119	+10.546	—

5 & 6 VALUES ARE IN THE
DOWN POSITION

SSRL
BL 13 INT. STOPPER
LAB DATA

3-15-06
J.M., L.G.

check

(X)

+2.93 & Hole to B/L
- .75 & Hole to FRONT SURFACE

2.18

2.180
2.180
- 23.000
- 22.980
- 19.960
- 20.376
22.875
22.875

- 20.695 LOS FOR 3 & 4

TANK FLANGES

4(S) 20.695	D(S) 14.070 S/R
6.625	14.069
<u>14.070 S/R</u>	[-.001]
14.070	
<u>∅</u>	

1) 24.804
1.000
25.804
34.464

[+8.660]

2) 24.827
1.000
25.827
34.464

[+8.637]

3) 11.889
1.000
12.889
20.695

[-7.806]

4) 11.858
1.000
12.858
20.695

[-7.837]

68.000 REF.
20.695
47.305 = ∅
12.841

+ 34.464 LOS FOR 1, 2, 5 & 6

5) 31.332
1.000
32.332
34.464

[+2.132]

6) 31.345
1.000
32.345
34.464

[+2.119]

(Z)

(1-2)

16.510

LAB DATA SSRL
BL 13 INJ. STOPPER

8-16-05
J.M., L.G.

(Y)

TANK FLANGES

$$\begin{array}{r} u/s) 15.210 \\ \quad 6.625 R \\ \hline 21.835 \\ \hline 21.835 HI \end{array} \quad \begin{array}{r} o/s) 15.210 \\ \quad 6.625 R \\ \hline 21.835 \end{array}$$

3 | 1 (16s)
4 | 2

$$\begin{array}{r} 1) 26.621 \\ \quad 1.000 \\ \hline 27.621 \\ \quad 21.835 \\ \hline -5.786 \end{array}$$

$$\begin{array}{r} 2) 26.497 \\ \quad 1.000 \\ \hline 27.497 \\ \quad 21.835 \\ \hline -5.662 \end{array}$$

$$\begin{array}{r} 3) 23.997 \\ \quad 1.000 \\ \hline 24.997 \\ \quad 21.835 \\ \hline -3.162 \end{array}$$

$$\begin{array}{r} 4) 24.019 \\ \quad 1.000 \\ \hline 25.019 \\ \quad 21.835 \\ \hline -3.184 \end{array}$$

$$\begin{array}{r} 5) 0.750 \\ \quad 10.529 \\ \hline 11.279 \\ \quad 21.835 \\ \hline +10.556 \end{array}$$

$$\begin{array}{r} 6) 0.760 \\ \quad 10.529 \\ \hline 11.289 \\ \quad 21.835 \\ \hline +10.546 \end{array}$$

SSRL
BL 13 INJ. STOPPER
LAB DATA

3-17-06
J.M., L.G.

② 9.356 READ DIS FL.
9.500 1/2 TANIC
+ 18.856 LOS

check
JM

1) 9.909
1.000
10.909
18.856

+7.947

2) 16.510(-2)
.500
16.010
7.947

-8.063

3) 12.337
1.000
13.337
18.856

+5.519

4) 23.357
1.000
24.357
18.856

-5.501

SSRL
BL 13 INJ. STOPPER

3-16-06
J.M., L.G.

④

2) 7.541
1.000

8.541
-5.662

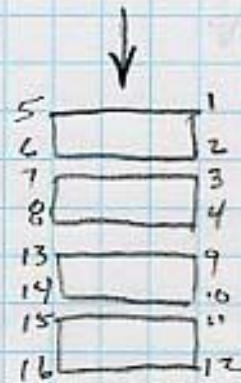
2.879

4) 5.063
1.000

6.063
-3.184

2.879

2.879 HI



- | | | | |
|------------------|--------------------------|-------------------|-------------------|
| 1) 1.878
+001 | 5) 1.879
0 | 9) 1.882
-003 | 13) 1.880
-001 |
| 4) 1.855
+024 | 8) 1.855
+024 | 12) 1.874
+005 | 16) 1.875
+004 |

3-17-06

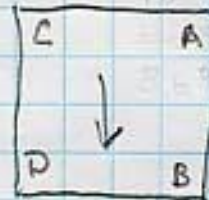
4) 2.037 READ
 1.000 H

3.037
-3.184 VALUE

-.147 HI

0.966 READ ON BOTTOM OF HOLDER
 .060 PLATE BELOW HOLDER

1.026 SR



CHECK TRNOEL (BRICK UP)

<p>W(S) -.147 HF (+).000 1/2 BRICK ----- 1.1475/R 1.155 ----- 1.008</p>	<p>D(S) 1.1475/R 1.175 ----- +0.28</p>
---	--

- A) 1.040 - .014
- B) 1.026 ~~0~~
- C) 1.040 - .014
- D) 1.030 - .004

1.155

1.175

SSRL
BL 13 INJ. STOPPER
LAB DATA

3-15-06
J.M., L.G.

⊗

47.305 = ϕ ON REF.

4.000 $\frac{1}{2}$ BRICK

51.305 to (-) SIDE OF BRICK

5) +.003

6) +00237

7) ϕ 49

8) ϕ

13) +.002

14) +.002

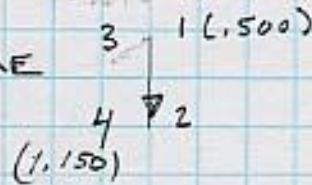
15) -.003

16) -.002

SSRL BL 13 INJ. STOPPER

3-15-06
J.M., L.G.

(Y) LEVELING FRAME
AT FEET



1) 62.330	2) 62.330	3) 61.680	Read 4)
.500	.500	1.150	to Bot
<hr/> 62.830	<hr/> 62.830	<hr/> 62.830	

$\bar{M} = 62.830$
41.000 FT. BELOW B/L

21.830 HI

TANK FLANGES

7.980 ϕ

u/s) 21.830
6.625

15.205 S/R
15.210

-1.005

D/s) 21.830
6.625

15.205 S/R
15.210

-0.005

Pump FL.) 21.830
3.990

17.840 S/R
17.840

0