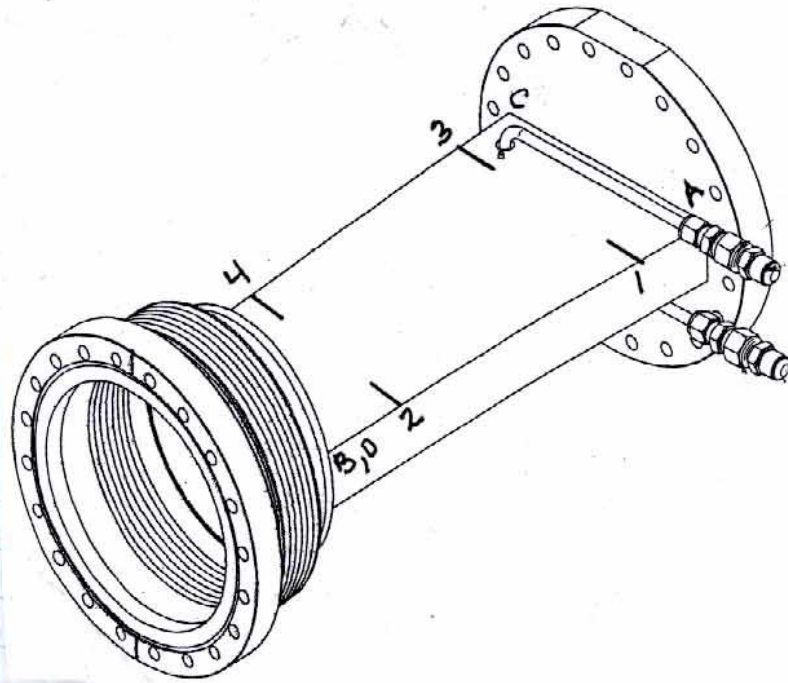


SSRL

5/07

BL13 EXIT FLANGE EXTENSION



	X	Y
1	+3.254	+0.752
2	+3.060	+0.757
3	-2.504	+0.752
4	-2.310	+0.752

	Y
A	+0.752
B	+0.761
C	+0.752
D	+0.752

A-D ARE TOP CORNERS OF BODY

SSRL
BL13 EXIT FLANGE EXTENSION

5/11/05
L.G.

(X) EXT. OFFSET +.375 FROM BL

1) +2.879 (+) .375	2) +2.685 (+) .375	3) -2.879 (+) .375	4) -2.685 (+) .375
<u>+3.254</u>	<u>+3.060</u>	<u>-2.504</u>	<u>-2.310</u>

SSRL BL13 EXIT FLANGE EXTENSION

4-26-07
M.R., L.G.

Y

- | | | | |
|------------------------|-------------------|------------------------|------------------------|
| 1) \ominus
+ .752 | 2) +005
+ .757 | 3) \ominus
+ .752 | 4) \ominus
+ .752 |
|------------------------|-------------------|------------------------|------------------------|

8.075



Y 1.504

X

- 4) 2.685 1/2 BODY
3) 2.879 " "

6.000

5.842

8.000

7.808

8.118 SIR

7.924 SIR

7.822

6.553 SIR

6.359 SIR

-9.238 LOS ✓

-9.238 LOS

20.000 REF.

$$\frac{20.000}{-9.238} = 2.165$$

12,400 Bucking

$$-1.638 \text{ LOS} \checkmark$$

-1.638 LOS

-1.062

$$\boxed{-1.700} \text{ EDGE OF MASK} \checkmark$$

Y

- | | | | |
|-----------------------------------|------------------------------|-----------------------------------|-----------------------------------|
| A) 8.075
\ominus
+ .752 ✓ | B) 8.066
+009
+ .761 ✓ | C) 8.075
\ominus
+ .752 ✓ | D) 8.075
\ominus
+ .752 ✓ |
|-----------------------------------|------------------------------|-----------------------------------|-----------------------------------|

"X" + .375 OFFSET FROM B/L

