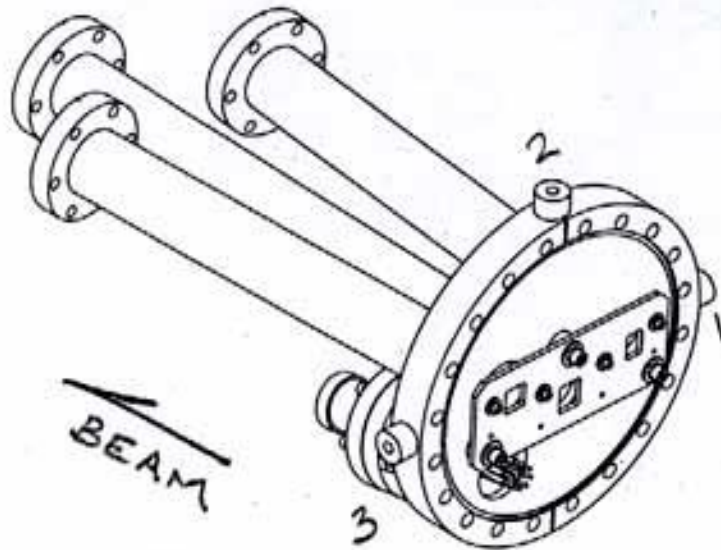


SSRL
BL13 BREAKOUT



	X	Y	Z
1	-5.478	-0.019	+0.782
2	-0.005	+5.485	+0.756
3	+5.485	\emptyset	+0.765

SSRL BL 13 BREAKOUT

7-25-07
B.R., M.R., L.G.

- ⊗ -1.365R
- 3.985R
- 25.190
- 22.574
- 25.254
- 22.630
- 25.222
- 22.602 ✓ ✓
- 26.587 LOS

$$\begin{array}{r} \text{REF. 2.000} \\ 26.587 \\ \hline 28.587 = \text{¢} \end{array} \checkmark$$

$$\begin{array}{r} 48.000 \text{ Bucking} \\ 28.587 \text{ ¢} \\ \hline +19.413 \text{ LOS} \\ \text{FOR } \#3 \frac{1}{2} (+) \text{ FL} \end{array} \checkmark$$

CENTER APERTURE

$$\begin{array}{r} (+) 28.587 \\ .298 \frac{1}{2} \\ \hline 28.885 \text{ S/R} \\ +.006 \end{array} \checkmark$$

$$\begin{array}{r} (-) 28.587 \\ .298 \\ \hline 28.289 \text{ S/R} \checkmark \\ +.005 \end{array}$$

$$\begin{array}{r} 1) 20.109 \\ 1.000 \\ \hline 21.109 \checkmark \\ 26.587 \\ \hline \boxed{-5.478} \checkmark \end{array}$$

$$\begin{array}{r} 2) 25.582 \\ 1.000 \\ \hline 26.582 \checkmark \\ 26.587 \\ \hline \boxed{-.005} \checkmark \end{array}$$

$$\begin{array}{r} 3) 12.928 \\ 1.000 \\ \hline 13.928 \checkmark \\ 19.413 \\ \hline \boxed{+5.485} \checkmark \end{array}$$

(-) FLANGE

$$\begin{array}{r} 26.587 \\ 2.780 \text{ OFFSET (PRINT)} \\ \hline 23.807 \checkmark \\ 1.365R \\ \hline 22.442 \text{ S/R} \checkmark \\ 22.447 \\ \hline \boxed{+.005} \checkmark \end{array}$$

(+) FLANGE

$$\begin{array}{r} 19.413 \\ 2.460 \\ \hline 16.953 \checkmark \\ 1.365R \\ \hline 15.588 \text{ S/R} \checkmark \\ 15.618 \\ \hline \boxed{-.030} \checkmark \end{array}$$

SSRL
BL 13 BREAKOUT

7-24-07
B.R., M.R., L.G.

(Y)
$$\begin{array}{r} 19.976 \\ 11.754 = \epsilon \\ \hline 8.222 HI \checkmark \end{array}$$

1)
$$\begin{array}{r} 7.241 \\ 1.000 \\ \hline 8.241 \checkmark \\ 8.222 \\ \hline \boxed{-0.019} \checkmark \end{array}$$

2)
$$\begin{array}{r} 1.737 \\ 1.000 \\ \hline 2.737 \checkmark \\ 8.222 \\ \hline \boxed{+5.485} \checkmark \end{array}$$

3)
$$\begin{array}{r} 7.222 \\ 1.000 \\ \hline 8.222 \\ 8.222 \\ \hline \boxed{0} \checkmark \end{array}$$

(+)
$$\begin{array}{r} 6.456 \\ 8.222 \\ + 1.400 \\ \hline 7.822 \checkmark \\ 1.365 R \\ \hline 6.4575/R \checkmark \\ 6.456 \\ \hline \boxed{+0.01} \checkmark \end{array}$$

FLANGES 2.730 DIA
MID)
$$\begin{array}{r} 7.244 \\ 8.222 \\ - 1.410 \\ \hline 8.632 \checkmark \\ 1.365 \\ \hline 7.2675/R \checkmark \\ 7.244 \\ \hline \boxed{+0.023} \checkmark \end{array}$$

(-)
$$\begin{array}{r} 6.666 \\ 8.222 \\ + 1.170 \text{ OFFSET \& SLOPE} \\ \hline 8.052 \checkmark \\ 1.365 \\ \hline 6.6875/R \checkmark \\ 6.666 \\ \hline \boxed{+0.021} \checkmark \end{array}$$

TOP OF 7.970 DIA. FLANGE

$$\begin{array}{r} 8.222 \\ 3.925 R \\ \hline 4.2375/R \checkmark \\ 4.230 \\ \hline \boxed{+0.007} \checkmark \end{array}$$

Y

SSRL BL 13 BREAKOUT APERTURES

7-24-07
BR., M.R., L.C.
912123-2

$$\begin{array}{r} 2.251 \text{ TOP (A.P.)} \\ 1.120 \text{ VAL} \\ \hline 3.371 \text{ HI} \checkmark \end{array}$$

$$\begin{array}{r} 15.125 \text{ REF} \\ 3.371 \\ \hline 11.754 = \phi \checkmark \end{array}$$

1.657

$$\begin{array}{r} 11.754 \\ 12.281 \\ \hline +.527 \text{ HI} \checkmark \end{array}$$

12.281

1.145

$$\begin{array}{r} +.087 \\ \text{TOP} \\ (+) .618 \\ \hline .527 \text{ HI} \\ +.0915 \text{ S/R} \checkmark \\ +.089 \\ \hline \boxed{-.002} \checkmark \end{array}$$

$$\begin{array}{r} -.093 \\ (-) .435 \\ \hline .527 \text{ HI} \\ -.0925 \text{ S/R} \checkmark \\ -.092 \\ \hline \boxed{\phi} \checkmark \end{array}$$

$$\begin{array}{r} \text{BOT} \\ (+) .039 \\ .015 \text{ HI} \\ \hline +.024 \checkmark \\ .021 \\ \hline \boxed{-.003} \checkmark \end{array}$$

$$\begin{array}{r} \text{TOP} \\ \text{MID) } -.009 \\ .015 \\ \hline -.024 \text{ S/R} \checkmark \\ -.026 \\ \hline \boxed{-.002} \checkmark \end{array}$$

$$\begin{array}{r} 11.769 \\ 11.754 \\ \hline +.015 \text{ HI} \checkmark \end{array}$$

$$\begin{array}{r} \text{BOTTOM} \\ \rightarrow) -.171 \text{ VAL} \\ -.171 \text{ HI} \\ \hline 0 \text{ S/R} \checkmark \\ -.002 \\ \hline \boxed{-.002} \checkmark \end{array}$$

$$\begin{array}{r} \text{BOTTOM} \\ \text{MID) } -.681 \text{ VAL} \\ -.681 \text{ HI} \\ \hline \phi \text{ S/R} \checkmark \\ -.002 \\ \hline \boxed{-.002} \checkmark \end{array}$$

$$\begin{array}{r} 11.754 \phi \\ 11.073 \\ \hline \boxed{-.681 \text{ HI}} \checkmark \end{array}$$

$$\begin{array}{r} 11.754 \phi \\ 11.583 \\ \hline \boxed{-.171 \text{ HI}} \checkmark \end{array}$$

SSRL
BL 13 BREAKOUT

7-25-07
BR, LG, MR

⑦ - 28.477 to u/s FACE OF APERTURE PLATE

-28.47703

$$\begin{array}{r} 1) \ 28.259 \\ \quad 1.000 \\ \hline 29.259 \checkmark \\ 28.477 \\ \hline \boxed{+1.782 \checkmark} \end{array}$$

$$\begin{array}{r} 2) \ 28.233 \\ \quad 1.000 \\ \hline 29.233 \checkmark \\ 28.477 \\ \hline \boxed{+1.756 \checkmark} \end{array}$$

$$\begin{array}{r} 3) \ 28.242 \\ \quad 1.000 \\ \hline 29.242 \checkmark \\ 28.477 \\ \hline \boxed{+1.765 \checkmark} \end{array}$$