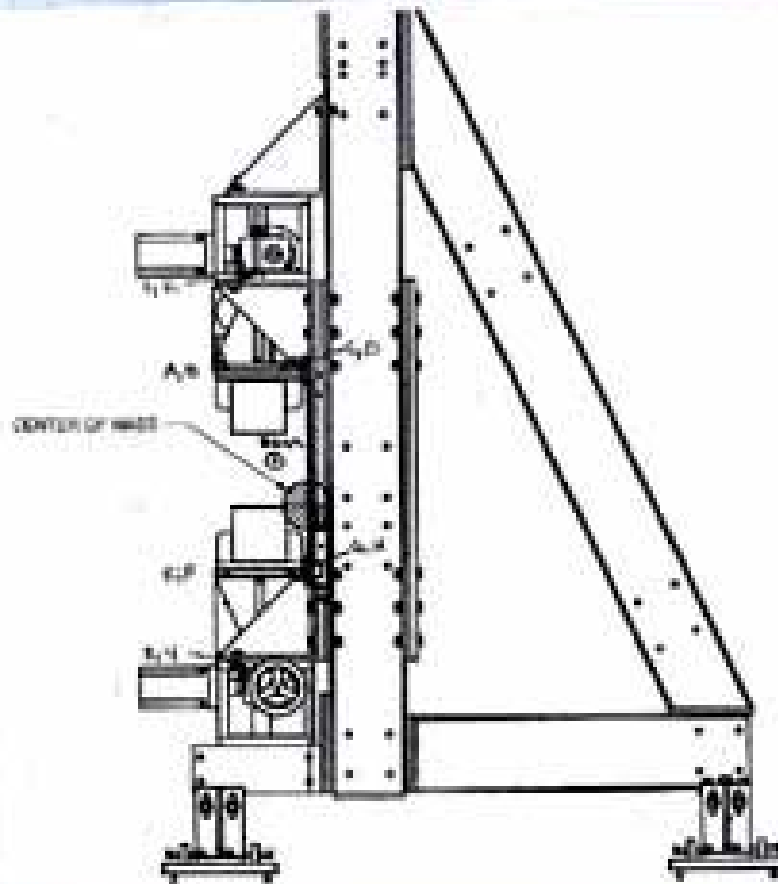


SSRL  
BL 13 ID

9-07



	X	Y	Z
1	- .492	20.445	-27.995
2	- .532	20.494	28.021
3	- .520	-20.528	-28.012
4	- .511	-20.507	28.005
A	3.535	6.498	-36.111
B	3.710	6.507	36.156
C	-3.788	6.464	-36.103
D	-3.768	6.436	36.156
E	3.891	-6.526	-36.140
F	3.707	-6.515	36.118
G	-4.012	-6.510	-36.144
H	-3.934	-6.605	36.121

LAB DATA

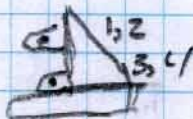
SSRL

BL 1310 (BLOG 122)

9-26-07

M.R., L.G.

(X) + 21.235 WS



FRAME

$$\begin{array}{r}
 1) \ 20.727 \\
 \underline{1.000} \\
 21.727 \\
 21.235 \\
 \hline
 \boxed{-.492}
 \end{array}$$

$$\begin{array}{r}
 2) \ 20.767 \\
 \underline{1.000} \\
 21.767 \\
 21.235 \\
 \hline
 \boxed{-.532}
 \end{array}$$

$$\begin{array}{r}
 3) \ 20.755 \\
 \underline{1.000} \\
 21.755 \\
 21.235 \\
 \hline
 \boxed{-.520}
 \end{array}$$

$$\begin{array}{r}
 4) \ 20.746 \\
 \underline{1.000} \\
 21.746 \\
 21.235 \\
 \hline
 \boxed{-.511}
 \end{array}$$

TOP JAW

$$\begin{array}{r}
 A) \ 16.700 \\
 \underline{1.000} \\
 17.700 \\
 21.235 \\
 \hline
 \boxed{+3.535}
 \end{array}$$

$$\begin{array}{r}
 B) \ 16.525 \\
 \underline{1.000} \\
 17.525 \\
 21.235 \\
 \hline
 \boxed{+3.710}
 \end{array}$$

$$\begin{array}{r}
 C) \ 24.023 \\
 \underline{1.000} \\
 25.023 \\
 21.235 \\
 \hline
 \boxed{-3.788}
 \end{array}$$

$$\begin{array}{r}
 D) \ 24.003 \\
 \underline{1.000} \\
 25.003 \\
 21.235 \\
 \hline
 \boxed{-3.768}
 \end{array}$$

LOWER JAW

$$\begin{array}{r}
 E) \ 16.344 \\
 \underline{1.000} \\
 17.344 \\
 21.235 \\
 \hline
 \boxed{+3.891}
 \end{array}$$

$$\begin{array}{r}
 F) \ 16.528 \\
 \underline{1.000} \\
 17.528 \\
 21.235 \\
 \hline
 \boxed{+3.707}
 \end{array}$$

$$\begin{array}{r}
 G) \ 24.247 \\
 \underline{1.000} \\
 25.247 \\
 21.235 \\
 \hline
 \boxed{-4.012}
 \end{array}$$

$$\begin{array}{r}
 H) \ 24.169 \\
 \underline{1.000} \\
 25.169 \\
 21.235 \\
 \hline
 \boxed{-3.934}
 \end{array}$$

LAB DATA

SSRL

9-26-07  
M.R., L.G.

BL13 ID (BLDG 122)  
FRAME

(Y)

GUN 1

$$\begin{array}{r}
 \text{T/P) } 16.671 \\
 \underline{1.000 \text{ FT}} \\
 17.671 \checkmark \\
 - 35.09864 \\
 \hline
 -17.427 \text{ HI} \checkmark
 \end{array}$$

$$\begin{array}{r}
 3) \quad 2.101 \\
 \underline{1} \\
 -3.101 \\
 17.427 \\
 \hline
 -20.528 \checkmark
 \end{array}$$

$$\begin{array}{r}
 4) \quad 2.080 \\
 \underline{1} \\
 -3.080 \\
 17.427 \\
 \hline
 -20.507 \checkmark
 \end{array}$$

GUN 2 Mic UP

$$\begin{array}{r}
 \text{T/P) } 9.271 \\
 \underline{40.000 \text{ Rod}} \\
 49.271 \checkmark \\
 - 35.098 \text{ EL} \\
 \hline
 +14.173 \text{ HI} \checkmark
 \end{array}$$

$$\begin{array}{r}
 1) \quad 5.272 \\
 \underline{1} \\
 +6.272 \checkmark \\
 14.173 \\
 \hline
 +20.445 \checkmark
 \end{array}$$

$$\begin{array}{r}
 2) \quad 5.321 \\
 \underline{1} \\
 +6.321 \checkmark \\
 14.173 \\
 \hline
 +20.494 \checkmark
 \end{array}$$

④  $\phi$  HI

TOP JAW



.355  $\frac{3}{16}$

4/2) .355

A) $\overset{+2}{5.498}$ 1.000 <u>+6.498</u> ✓	B) $\overset{+2}{5.507}$ 1.000 <u>+6.507</u> ✓	C) $\overset{+2}{5.464}$ 1.000 <u>+6.464</u> ✓	D) $\overset{+2}{5.436}$ 1.000 <u>+6.436</u> ✓
--	--	--	--

0/5)

LOWER JAW

.355  $\frac{3}{16}$  ( $\frac{1}{2}$  18mm)



E) $\overset{-2}{5.526}$ 1.000 <u>-6.526</u> ✓	F) $\overset{-2}{5.515}$ 1.000 <u>-6.515</u> ✓	G) $\overset{-2}{5.510}$ 1.000 <u>-6.510</u> ✓	H) $\overset{-2}{5.605}$ 1.000 <u>-6.605</u> ✓
--	--	--	--

LAB DATA SSRL

9-26-07

②

BL 13 ID (BLDG 12E)

M.R., L.G.

19.000  
 25.750 1/2 FRAME RATE  
 - 44.750 LOS

FRAME

TOP JAW

1) 15.755  
 1.000  
 16.755  
 44.750

3) 15.738  
 1.000  
 16.738  
 44.750

A) 7.639  
 1.000  
 8.639  
 44.750

C) 7.647  
 1.000  
 8.647  
 44.750

-27.995

-28.012

-36.111

-36.103

LOWER JAW

RATE

E) 7.610  
 1.000  
 8.610  
 44.750

G) 7.606  
 1.000  
 8.606  
 44.750

T) 10.146  
 44.750

B) 10.110  
 44.750

-36.140

-36.144

-34.604

-34.640

②

BL13 ID (Block 12)

M.R., L.G.

$$\begin{array}{r}
 29.750 \text{ RAD O/S} \\
 25.750 \\
 \hline
 + 55.500 \text{ LOS}
 \end{array}$$

FRAMEFRAME TOP JAW

$$\begin{array}{r}
 2) 26.479 \\
 1.000 \\
 \hline
 27.479 \\
 55.500
 \end{array}$$

$$\begin{array}{r}
 4) 26.495 \\
 1.000 \\
 \hline
 27.495 \\
 55.500
 \end{array}$$

$$\begin{array}{r}
 8) 18.344 \\
 1.000 \\
 \hline
 19.344 \\
 55.500
 \end{array}$$

$$\begin{array}{r}
 0) 18.344 \\
 1.000 \\
 \hline
 19.344 \\
 55.500
 \end{array}$$

$$+28.021$$

$$+28.005$$

$$+36.156$$

$$+36.156$$

LOWER JAWEDGES OF JAW PLATES

$$\begin{array}{r}
 F) 18.382 \\
 1.000 \\
 \hline
 19.382 \\
 55.500
 \end{array}$$

$$\begin{array}{r}
 H) 18.379 \\
 1.000 \\
 \hline
 19.379 \\
 55.500
 \end{array}$$

$$\begin{array}{r}
 T) 20.844 \\
 55.500 \\
 \hline
 +34.656
 \end{array}$$

$$\begin{array}{r}
 B) 20.878 \\
 55.500 \\
 \hline
 +34.622
 \end{array}$$

$$+36.118$$

$$+36.121$$

69.260 69.262

SSRL

7-26-07

BL 13 ID (BLDG 122)  
SETTING LIMITS

M.R., L.G.

Y

+14.173 HI

TOP JAW

INNER  
OPT. LIMIT .010  
HARD .020

$$\begin{array}{r} A) 14.173 \\ 6.498 \\ \hline 7.675 \checkmark \end{array}$$

$$\begin{array}{r} C) 14.173 \\ 6.464 \\ \hline \end{array}$$

OUTER  
3.937" 100MM

$$\begin{array}{r} 1. \\ \hline 6.675 \text{ 5/R} \end{array}$$

$$\begin{array}{r} 1. \\ \hline \end{array}$$

18 MM GAP .709

OUTER LIMIT 6.725

6.675

3.593 91mm +.010"

3.0825/R OPTICAL LIMIT

3.084

-002 ✓

3.0723/R HS. ✓

6.695 H.S. -020 ✓

6.685 O.S. -010

6.687

-002 ✓

LOWER JAW

$$\begin{array}{r} E) 14.173 \\ -6.524 \\ \hline 20.699 \checkmark \end{array}$$

$$\begin{array}{r} G) 14.173 \\ -6.510 \\ \hline 20.683 \checkmark \end{array}$$

$$\begin{array}{r} 1. \\ \hline 19.699 \text{ 5/R} \checkmark \end{array}$$

$$\begin{array}{r} 1. \\ \hline 19.683 \text{ 5/R} \checkmark \end{array}$$

19.689 OPT. LIMIT 5/R

19.691

-002

19.679 HARO STOP 5/R ✓

19.699

3.593 91mm +.010"

23.292 5/R OPTICAL LIMIT

23.296

-004

23.302 5/R HARO STOP

(X) +21.235 LOS

TOP JAW

u/s

$$\begin{array}{r} \text{TOP) } 21.235 \\ \underline{2.889} \\ 18.346 \\ 1. \text{ --- FT} \\ \hline 17.346^{5/16} \\ 17.343 \\ \hline \boxed{+0.003} \end{array}$$

$$\begin{array}{r} \text{BOTTOM) } 17.346^{5/16} \\ 17.342 \\ \hline \boxed{+0.004} \end{array}$$

D/S

$$\begin{array}{r} \text{T) } 17.346^{5/16} \\ 17.348 \\ \hline \boxed{-0.002} \end{array}$$

$$\begin{array}{r} \text{B) } 17.346^{5/16} \\ 17.349 \\ \hline \boxed{-0.003} \end{array}$$

LOWER JAW

u/s

$$\begin{array}{r} \text{T) } 21.235 \\ \underline{2.899} \\ 18.336 \\ 1. \text{ ---} \\ \hline 17.336^{5/16} \\ 17.336 \\ \hline \boxed{0} \end{array}$$

$$\begin{array}{r} \text{B) } 17.336^{5/16} \\ 17.336 \\ \hline \boxed{0} \end{array}$$

D/S

$$\begin{array}{r} \text{T) } 17.336^{5/16} \\ 17.338 \\ \hline \boxed{-0.002} \end{array}$$

$$\begin{array}{r} \text{B) } 17.336^{5/16} \\ 17.340 \\ \hline \boxed{-0.004} \end{array}$$

SSRL

9-26-07

BL13 ID BLDG. 122

M.R., L.G.

⑧  $\rightarrow$  FACE OF PLATE ON FRAME BOTTOM  
 $\leftarrow$

26.213+1

TOP

26.217+1

26.300+1

26.288+1

4(s) 26.221+1    4(s) 26.235+1

26.235+1

26.235+1

27.235 to PLATE

- 6.000 PLATE FROM BL

+ 21.235 LOS ✓

① 2.664 READ TOP OF FRAME PLATE

20.000

22.664 HI ✓

T/P) 17.762 READ

40.000 ROD

57.762 ✓

22.664 HI

- 35.098 ✓

35.098

- 1.000 FT

34.098 S/R ✓