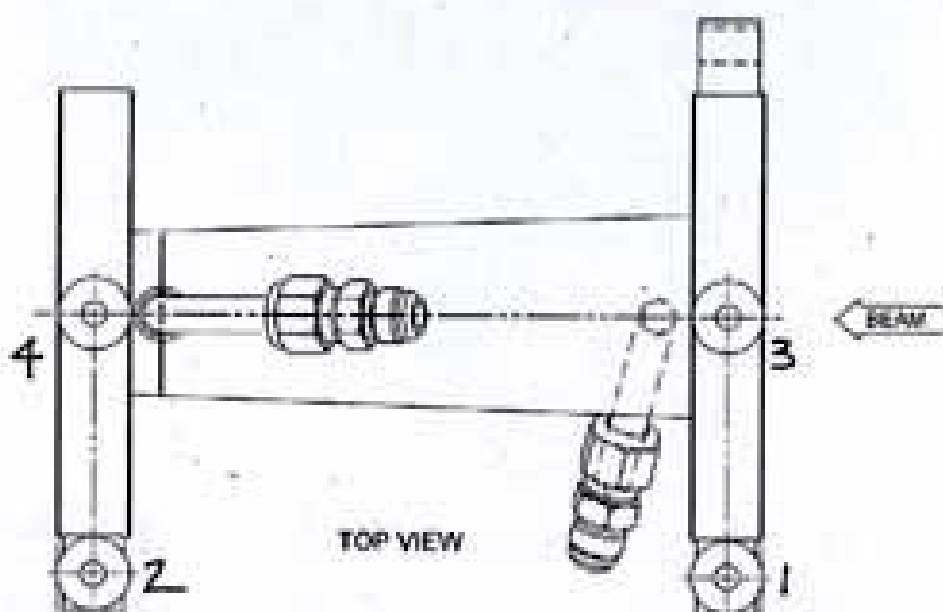


BL 13 5mm FIXED MASK



	X	Y	Z
1	2.664	1.800	468.160
2	2.664	1.800	474.638
3	.040	3.801	468.164
4	-.032	3.787	474.660

SSRL BL13
5MM FIXED MASK

9-12-07
M.R., L.G.

(X)

BODY

D/E) .845
W/C) 1.047

9.000
8.548
3.500
3.383

+10 (DME)

4.896 4.836
4.694 4.884

+ 5.74 LOS ✓
7.000 REF

12.741 = C ✓
+1.005 5mm AP
12.736 = D ✓

5MM APERTURE .1976

(+) 12.741 (-) 12.741
 .098 +.098

12.643 5/16 ✓ 12.839 5/16 ✓
+15 +15

4/5 BORE .564d

(+) 12.741 (-) 12.741
 .282 +.282

+12 12.459 5/16 ✓ 13.023 5/16 +15 ✓

✓ 9.12-07
ML

12.736d
7.000 READ
+ 5.736 LOS ✓

1) 2.072
 1.000

 3.072 ✓
 5.736

 +2.664 ✓

2) 2.072
 1.000

 3.072 ✓
 5.736

 +2.664 ✓

3) 4.696
 1.000

 5.696 ✓
 5.736

 +.040 ✓

4) 4.768
 1.000

 5.768 ✓
 5.736

 -.032 ✓

SSRL BL13
5MM FIXED MASK

9-11-07
M.R., L.G.

Y



Body

$$\begin{array}{r} 2.093\phi \\ u(s) \quad 6.405 \\ \underline{1.047} \checkmark \\ 7.452 \checkmark \end{array}$$

$$\begin{array}{r} 1.639\phi \\ DIS) \quad 4.607 \\ \underline{.845} \checkmark \\ 7.452 \checkmark \end{array}$$

$$\begin{array}{r} 3.049 \text{ REF} \\ \underline{7.452} \\ 10.501 = \phi \end{array}$$

1050
PLUS

7.630

$$-7.452 \checkmark \text{ HI}$$

✓ 9-11-07
MR

5MM APERTURE .197 ϕ

u/s BORE .564 ϕ

TOP

BOT

TOP

BOT

$$\begin{array}{r} 10.501 \\ \underline{.098R} \\ 10.599 \checkmark R \\ \underline{+.003} \end{array}$$

$$\begin{array}{r} 10.501 \\ \underline{.098} \\ 10.403 \checkmark R \\ \underline{-.003} \end{array}$$

$$\begin{array}{r} 10.501 \\ \underline{.282R} \\ 10.783 \checkmark R \end{array}$$

$$\begin{array}{r} 10.501 \\ \underline{.282R} \\ 10.219 \checkmark R +4 \end{array}$$

$$\begin{array}{r} 18.195 \text{ REF.} \\ \underline{10.501} \phi \\ +7.694 \text{ HIZ} \end{array}$$

$$\begin{array}{r} 1) \quad 4.894 \\ \underline{1.000} \\ 5.894 \checkmark \\ 7.694 \end{array}$$

$$\boxed{+1.800} \checkmark$$

$$\begin{array}{r} 2) \quad 4.894 \\ \underline{1.000} \\ 5.894 \checkmark \\ 7.694 \end{array}$$

$$\boxed{+1.800} \checkmark$$

$$\begin{array}{r} 3) \quad 2.893 \\ \underline{1.000} \\ 3.893 \checkmark \\ 7.694 \end{array}$$

$$\boxed{+3.801} \checkmark$$

$$\begin{array}{r} 4) \quad 2.907 \\ \underline{1.000} \\ 3.907 \checkmark \\ 7.694 \end{array}$$

$$\boxed{+3.787} \checkmark$$

(2)

'X' BULK IN

2) 2.664
1) 2.664

21.000 + |
20.808 + |
18.800 + |
18.747 + |

18.961 - | ✓
18.961 - | ✓

+ 21.625 COS ✓

12/12/07
MR

9.675 READ D/S FACE
475.040
484.715 ✓

D/S
467.780
7.260
475.040 ✓

4/S FL
11.8816 ✓
467.780" ✓

1) 15.555
1.000
16.555 ✓
484.715

2) 9.077
1.000
10.077 ✓
484.715

3) 8.004
8.557
16.551 ✓
484.715

4) 9.055
1.000
10.055 ✓
484.715

468.160 ✓

474.638 ✓

468.164 ✓

474.660 ✓