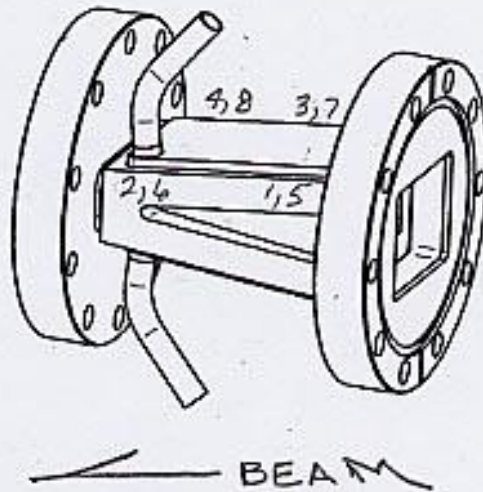


SSRL
BL 12-2 LN MONO MASK

8/06



	X	Y	Z
1,5	+1.129	+0.849	+1.325
2,6	+1.129	+0.577	+3.925
3,7	-1.121	+0.846	+1.325
4,8	-1.121	+0.577	+3.925

X & Y FROM APERTURE &
Z'S FROM FACE OF U/S FLANGE

	X	Y	Z
1,5	+3.162	+0.849	849.258
2,6	+3.180	+0.577	851.858
3,7	+0.912	+0.846	849.274
4,8	+0.930	+0.577	851.874

ROTATED +.0072 RAD. @ U/S FLANGE
TRANSLATED X = 2.023 & Z = 847.941 @
U/S FLANGE

SSRL 12-2
MONO MASK

7-13-06
LG MR

Y) DIA = 4.606 R = 2.303

U/S FLANGE	D/S
8.771	8.771
2.303	2.303
<u>11.074</u>	<u>11.074</u>
<u>11.072</u>	<u>11.072</u>

ADJ. H I.

U/S BOT D/S BOT

16.751	16.751
.403	.098
<u>16.348</u> s/r	<u>16.653</u> s/r
+0.002	+0.003
-2+X	+2+X

1) 11.072
10.223

+0.849

2) 11.072
10.495

+0.577

27.825 REF
11.074
16.751 ϕ BLADE AND TOP
+0.002
16.753 ϕ BLADE

★ USE SCRIBE LINES
⊙ INTERSECTION OF X LINES

D/S TOP U/S TOP

16.751	16.751
.098	.403 $\frac{1}{2}$ APER.
<u>16.849</u> s/r	<u>17.154</u> s/r
+0.002	+0.003
-2-X	+2-X

3) 11.072
10.226

+0.846

4) 11.072
10.495

+0.577

X)

FV 1.125
NV 1.125
IF 9.000
IN 8.810
2F 3.000
2N 3.005
SRF 3.154
SRN 3.154
LOS 4.279
BLADE 1.000
 ϕ BLADE 5.279
4.279
.004
4.283

5-7 2.250
U/S FLANGE
1.976 READ
2.303 RAD
4.279 ϕ

U/S +	D/S +
.699	.492
<u>5.279</u>	<u>5.279</u>
4.580	4.787 s/r
ϕ	-.004

6-8 2.250
D/S FLANGE
1.977
2.303
4.280 -1

D/S -	U/S -
.492	.699
<u>5.279</u>	<u>5.279</u>
5.771	5.978
-.004	ϕ

5) 4.283
3.154
+1.129

6) 4.283
3.154
+1.129

7) 1.129
2.250
-1.121

8) 1.129
2.250
-1.121

U/S FLANGE 4.283
1.976
+2.307

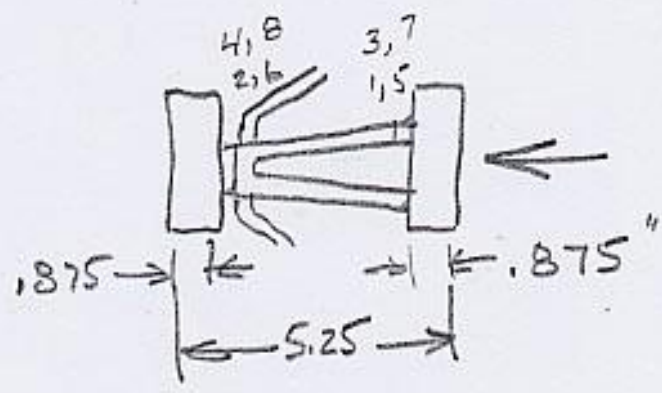
D/S FLANGE 4.283
1.977
+2.306

100
2/8
7/06

SSRL
BL12-2 LN MOHO MASK

8/06
L.G.

(2) SCRIDES +450 FROM FLANGES



$$\begin{array}{r} (1.5 - 3.7) \\ .875 \\ + .450 \\ \hline 1.325 \end{array}$$

$$\begin{array}{r} (2.6 - 4.8) \\ 5.25 \\ - .450 \\ \hline 4.800 \\ - .875 \\ \hline 3.925 \end{array}$$

SSRL
BL12-2 LN Mowd MASK

Job Description:

Report Units: inches, milliradians

Job File: C:\Faro\Insight\BL122LNMONOMASK.SMX

Job Date: Monday, August 28, 2006 11:30:13 AM

Report Frame: PART

	X	Y	Z
US	2.019	-0.002	847.941
1_5	3.162	0.849	849.258 ✓
2_6	3.180	0.577	851.858 ✓
3_7	0.912	0.846	849.274 ✓
4_8	0.930	0.577	851.874 ✓
DS	2.058	-0.002	853.191

Report Date: Monday, August 28, 2006 12:00:02 PM

FARO Insight 5.0.5

Page 1

Alignment:

The LN Mono Mask for BL12-2 is to be placed at the following location. Please fiducialize in reference to the insertion device (wiggler) center.

x:		insertion device (wiggler) center
y		insertion device (wiggler) center
z		insertion device (wiggler) center
roll	0	
yaw	+0.0072	deflection from M0 mirror at 14,000 mm
pitch	0	

With the following Z positions

z	847.941	us flange
	851.542	aperture center
	853.142	ds flange

...the components should be at the following X positions

x	2.023	us flange
	2.049	aperture center
	2.061	ds flange

Alignment crew: _____

Dimensions in { } are absolute dimensions.

Reference point (P) / edge (E) / axis (A) / surface (S):

x	{2.049}	center of aperture of the mask body
y	{0.000}	center of aperture of the mask body
z	{851.542}	center of aperture, as described above
roll:	{0.000 rad}	aperture bottom edge
pitch:	{0.000 rad}	us and ds flanges
yaw:	{0.0072 rad}	us and ds flanges

Tolerance at installation aligned together with the 12-2 LN Mono:

x:	+/- 0.005"	measured: _____
y:	+/- 0.002"	measured: _____
z:	+/- 0.050"	measured: _____
roll:	+/- 0.001 rad	measured: _____
pitch:	(+/- 0.002 rad)	measured: _____
yaw:	(+/- 0.002 rad)	measured: _____