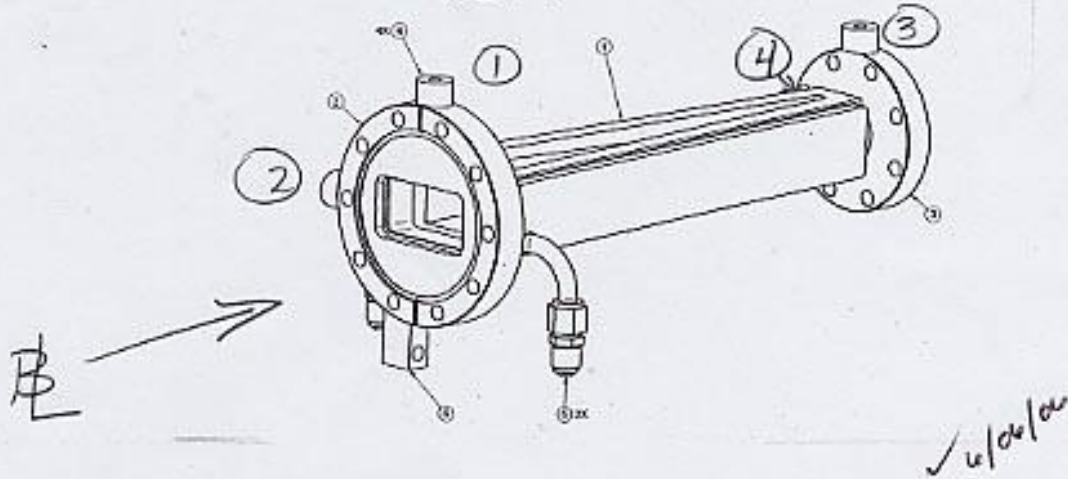


SSRL BL 12-Z  
2ND FIXED MASK



TB	Z	X	Y
1	-11.175✓	+0.031✓	+3.795✓
2	-11.189✓	+3.800✓	+0.009✓
3	+1.098✓	+0.026✓	+3.169✓
4	+1.079✓	+3.176✓	-0.007✓

JOB #  
93-2121-4

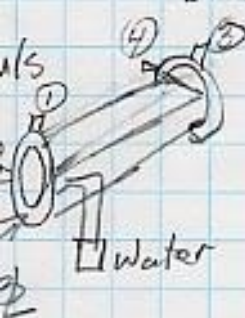
SSRL  $\Phi$  12-2  
2ND FIXED MASK  
PLAN PF-451-058-88

6/6/06  
MR, FG

(Y)

U/S SLOT  
HT = .904  $\div 2 = .452 \checkmark$   
WIDTH = 1.684  $\div 2 = .842 \checkmark$

U/S FL.  
 $\phi = 4.608$   
 $R = 2.304 \checkmark$



$\sqrt{6/10/06}$   
MR

D/S SLOT  
W. = .276  $\div 2 = .138 \checkmark$   
HT = .394  $\div 2 = .197 \checkmark$

D/S FL.  
 $\phi = 3.366$   
 $R = 1.683 \checkmark$

D/S Body  
1.686  
.843

use body for rough alignment

D/S  
8.546  
.843  
HI 9.389  $\checkmark$

(+) U/S 8.543  
(-) 8.545

Ref. blade 15.810  
9.389  
 $\phi$  6.421  $\checkmark$

TOP of D/S SLOT  
6.421  
.197  
S/R 6.618  $\checkmark$  REF. BL  
FND.  $\phi$  No ROLL

TOP of U/S SLOT  
6.421  
.452  
S/R 6.873  $\checkmark$  REF. BL  
FND.  $\phi$

BOT of D/S SLOT  
6.421  
.197  
S/R 6.224  $\checkmark$  REF. BL,  
FND.  $\phi$  No ROLL

BOT of U/S SLOT  
6.421  
.452  
S/R 5.969  $\checkmark$

1  
4.594  
1  
5.594  $\checkmark$   
9.389  
 $\boxed{+3.795} \checkmark$

2  
8.380  
1  
9.380  
9.389  
 $\boxed{+.009} \checkmark$

3  
5.220  
1  
6.220  
9.389  
 $\boxed{+3.169} \checkmark$

4  
8.396  
1  
9.396  
9.389  
 $\boxed{-.007} \checkmark$

SSRL BL 12-2  
2ND FIXED MASK

6/6/06  
MR, FG

(X)

Buck-In Flanges

F.V. = 1.683  
N.V. = 2.304

u/s slot  
(+)  $\sqrt{6/06/06}$   
MR

(-)

1ST F = 19  
N = 18.162  
2N F = 15  
N = 14.645  
S/R F = 17.203  
N = 16.582  
LOS = 18.886 ✓

.842                      .842

Ref blade @ 61"  
18.886

D/S SLOT

(+)

(-)

42.114 ✓  
42.110 ✓

42.114  
.138

42.114  
.138

Adjust LOS by .004

S/R 41.976 REF. BL.  
FND 18

42.252  
FND +8

Adjust LOS 18.882

1  
17.913  
1  
18.913 ✓  
18.882  
+.031 ✓

2  
13.811  
8.871  
22.682  
19.882  
+3.800 ✓

3  
17.908  
1  
18.908  
18.882  
+.026 ✓

4  
13.187  
8.871  
22.058 ✓  
19.892  
+3.176 ✓

②

SSRL TBL 12-2  
2ND FIXED MASK

6/6/06  
MR, FG

D/S END COPPER

5.956

1

6.956

.750

7.706 ✓

5.220

12.926 ✓

LOS = + 7.706 ✓

LOS + 12.926 ✓

✓  $\frac{6.956}{2}$

TB 1

17.881

1

18.881 ✓

7.706

-11.175 ✓

TB 2

17.895

1

18.895 ✓

7.706

-11.189 ✓

U/S END COPPER

5.860

1

6.860 ✓

3

5.608

1

6.608 ✓

7.706

+1.098 ✓

4

5.627

1

6.627 ✓

7.706

+1.079 ✓

~~701~~

~~5.125~~

~~1~~

~~6.125 ✓~~

~~18.881~~

~~25.006 ✓~~

~~14.566~~

~~10.440 ✓~~

6.860

7.706

14.566

$\div 2 = 5.220 \checkmark \phi$

USE D/S SLOT  
AS Z =  $\phi$  REF.