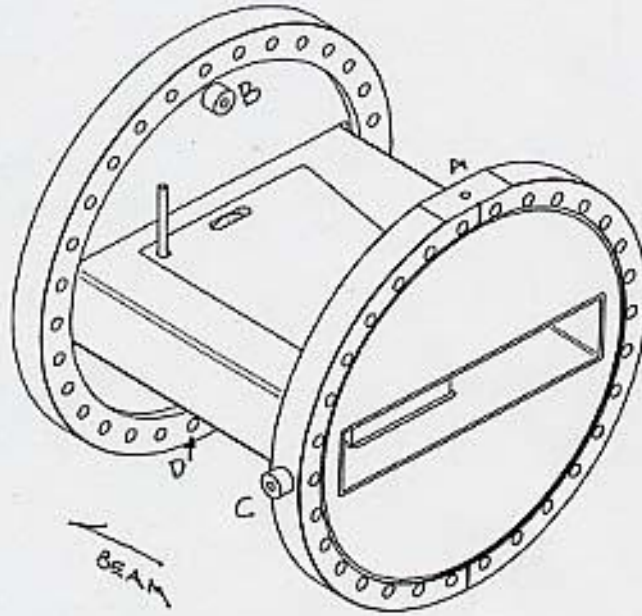


SSRL
BLID COMB MASK

3/05



	X	Y	Z
A	-1.237	+7.507	+386.897
B	-1.230	+4.704	+395.291
C	+6.870	-0.012	+386.885
D	-1.263	-4.720	+395.286

BL 10 COMB MASK

3/14/05
J.M., L.Y.
11.573 o/s
13.244 u/s

(Y)

LAB DATA

check
JW

Bottom of WS FL.

6.622 RAD

17.000 READ

10.378

TOP D/S FL.

5.787 RAD

4.590

10.377

$\Delta = 12.409$

$\bar{M} = 10.378$ HI

A) 1.871

1.000

2.871

10.378

+7.507

B) 4.674

1.000

5.674

10.378

+4.704

C) 9.390

1.000

10.390

10.378

-.012

D) 9.924 B-O

1.500

9.424

4.704

-4.720

(X)

$6.622 - 1.25 = 5.372$

$5.787 - 1.25 = 4.537$

20.000

20.388

15.000

15.900

15.635

16.470

+ 21.007 LOS

A) 21.244

1.000

22.244

21.007

-1.237

B) 21.237

1.000

22.237

21.007

-1.230

C) 13.137

1.000

14.137

21.007

+6.870

D) 21.270

1.000

22.270

21.007

-1.263

SSRL
BL 10 COMB MASK

LAB DATA

3/14/05
J.M.J.G.

(Z) D/S END OF A PERTURE = 10059.3 MM"
= +396.035"
check

17.250
1.000
18.250
396.035
+ 414.285 LOS

ds 15.760

ds 15.765

A) 26.388
1.000
27.388
414.285
+386.897

B) 12.094
6.900
18.994
414.285
+395.291

C) 26.400
1.000
27.400
414.285
+386.885

D) 12.099
6.900
18.999
414.285
+395.286