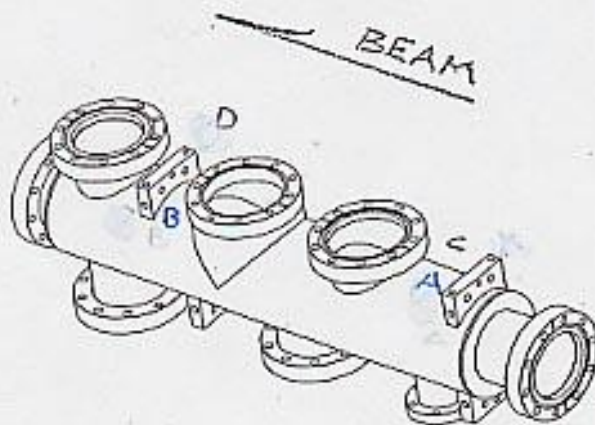


SSRL

3/05

VERT. SLIT TANK B/L 9-2

TB	X	Y	Z
A	+1.223	+4.164	-9.181
B	+1.240	+4.146	+6.551
C	-1.278	+4.165	-9.188
D	-1.243	+4.150	+6.544

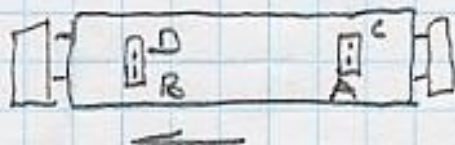
LAB DATA B/L 9-2
SSRL
SLIT TANK

3-1-05
J.M., L.G.

check
J.M.

Y

+12.510 HI



A) 7.346
1.000

8.346

12.510

+4.164

B) 7.364
1.000

8.364

12.510

+4.146

C) 7.345
1.000

8.345

12.510

+4.165

D) 7.360
1.000

8.360

12.510

+4.150

X +28.194 LOS

A) 25.971
1.000

26.971

28.194

+1.223

B) 25.954
1.000

26.954

28.194

+1.240

C) 28.472
1.000

29.472

28.194

-1.278

D) 2.983 B-D
.500

2.483

1.240

-1.243

Z 19.158 READ ON U/S END
13.150 1/2 TANK

26.250

-32.308 LOS

A) 6.127
17.000 16" sphere

23.127

32.308

-9.181

B) 16.232 A-B
.500

15.732

9.181

+6.551

C) 6.120
17.000

23.120

32.308

-9.188

D) 16.232 C-D
.500

15.732

9.188

+6.544