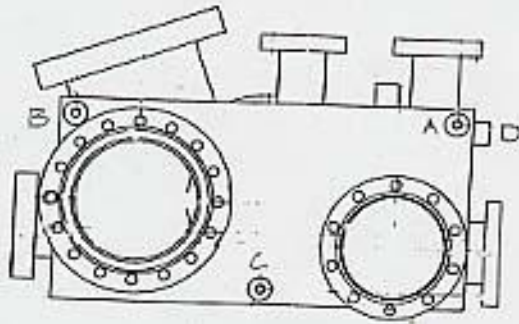


SSRL
BL 9-1 SLIT TANK

5/05



BEAM

✓ 5/12/05
MR

X	Y	Z
-7.209 ✓	+4.799 ✓	668.463 ✓
-7.261 ✓	+4.889 ✓	680.453 ✓
-6.975 ✓	+3.964 ✓	674.495 ✓
-1.759 ✓	-1.783 ✓	666.528 ✓

VALUES TO WIGGLERLINE

LAB DATA

SSRL
9-1 SLIT TANK

4-19-05
FG, JMC

(X) F.V. = 1.841 (D/S FL.)
 N.V. = 1.685 (W/S FL.)

41687

1ST F = 19.824 + 19.194 = 39.018
 1ST N = 38.856

40.541

2ND F = 18 + 19.194 = 37.194
 2ND N = 37.391

S/R F = 37.402 - 19.194 = 18.208
 S/R N = 37.558

LOS = 39.243

TANK

W/S

D/S

.024" over 6"

39.243

39.243

4.608

(-) SIDE

= .229°

S/R 34.635

S/R 34.635

34.639 +4

34.615 -20

VALUES TO &

A

B

D

C

34.155

34.103

34.389

39.605

35.155

35.103

35.389

40.605

39.243

39.243

39.243

39.243

-4.088

-4.140

-3.854

+1.362

-3.121

-3.121

-3.121

-3.121

offset from
WIGGLER

-7.209

-7.261

-6.975

-1.759

SSRL

BL 9-1 SLIT TANK

4-18-05

J.M., L.G.

Y 10.650 HI LAB DATA

FLANGES

u/s) 10.850
 1.685

 8.965 S/R
 8.965

D/S 8.965
 .121

 8.844 S/R
 8.844

38. —

14.290

52.290

41.640

10.650 ✓

A) 4.851
 1.000

 5.851

B) 4.761
 1.000

 5.761

C) 5.686
 1.000

 6.686

3370 φ

10.650

10.650

10.650

+4.799 ✓

+4.889 ✓

+3.964 ✓

14.750

DIST. BETWEEN

READING

ON FLANGES

D) 11.433
 1.000

 12.433

* Y's to u/s FL. SET + 8.2 MRAO PITCH

12.433

10.650

-1.783 ✓

Corr. To HI		pitched up	Beam
A)	.0082	x 1.757	= .014
B)	.0082	x 13.749	= .113
C)	.0082	x 7.667	= .063
D)	.0082	x .176	= .001

SSRL
9-1 SCIT TANK
LAB DATA

4-21-05
F.G., J.M. L.G.

(Z)

32.738 u/s FACE OF TANK
1.230 to u/s FACE OF u/s FLANGE = ZERO
+ 33.968 LOS

32.738 u/s FACE
TANK
19.749 o/s FACE

$$\begin{array}{r} A) \ 14.684 \\ \ 17.619 \\ \hline 32.303 \checkmark \\ 33.968 \end{array}$$

$$\begin{array}{r} B) \ 19.313 \\ \ 1.000 \\ \hline 20.313 \checkmark \\ 33.968 \end{array}$$

$$\begin{array}{r} C) \ 13.743 \\ \ 12.528 \\ \hline 25.271 \checkmark \\ 33.968 \end{array}$$

$$\textcircled{1} \ \boxed{+1.665} \checkmark$$

$$\boxed{+13.655} \checkmark$$

$$\boxed{+7.697} \checkmark$$

$$\textcircled{2} \ \boxed{668.1463} \checkmark$$

$$\boxed{680.453} \checkmark$$

$$\boxed{674.495} \checkmark$$

- 12.75^{MM}
SOCKET
~ 1.5"

D) + 1.23 to u/s FACE OF TANK
(-) 1.500 SOCKET
- 1.000 TO & T/B

$$\boxed{-0.270} \checkmark$$

$$\begin{array}{r} 666.798 \\ \hline \boxed{666.528} \checkmark \end{array}$$

- ① VALUES from u/s FLANGE FACE
- ② VALUES USING u/s FL. Z = 666.798