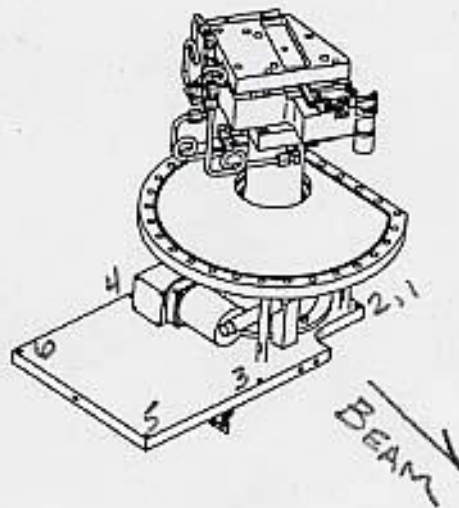


SSRL
BL 9-1 MONO

7/05



✓ 7/20/05
MR

	X	Y	Z
1	+ .378 ✓	-13.745 ✓	693.059 ✓
2	+ .371 ✓	-13.659 ✓	702.098 ✓
3	-8.146 ✓	-13.657 ✓	703.794 ✓
4	-8.132 ✓	-13.750 ✓	694.010 ✓
5	-16.084 ✓	-13.651 ✓	703.794 ✓
6	-16.078 ✓	-13.745 ✓	694.010 ✓

check
JM

SSRL
BL 9-1 MONO
LAB DATA

7-11-05
J.M., L.G.

(X) u/s (+) SIDE OF CRYSTAL (c)
12.403 READ
- 2.130 VALUE
+ 10.273 LOS

1) 8.895
1.000
9.895
10.273
+ .378

2) 8.902
1.000
9.902
10.273
+ .371

3) 17.419
1.000
18.419
10.273
- 8.146

4) 5.877
12.528
18.405
10.273
- 8.132

5) 25.357
1.000
26.357
10.273
- 16.084

6) 8.732
17.619
26.351
10.273
- 16.078

check
JM

SSRL
BL9-1 MONO
LAB DATA

7-11-05
J.M., L.G.

Y

CRYSTAL

W/S) (+) 0.002
 (+).719

 (+).117

 (+).396

 1.503 HI

 9.008 REF

 7.505 = ϕ ON REF.

 18.682 REF.

 +11.177 HI

D/S) (+) 0.057 TOP INNER EDGE

 (-).119 to ϕ OF CRYST.

 (+).062

 (+).440 VALUE TO WIGGLER LINE

 1.502

1) 23.672
 1.250

 24.922

 11.177

-13.745

2) 12.308
 12.529

 24.836

 11.177

-13.659

3) 12.306
 12.528

 24.834

 11.177

-13.657

4) 23.677
 1.250

 24.927

 11.177

-13.750

5) 23.578
 1.250

 24.828

 11.177

-13.651

6) 23.672
 1.250

 24.922

 11.177

-13.745

check
up

SSRL
BL 9-1 MONO
LAB DATA

7-8-05
J.M., L.G.

(Z) (-) 11.860 READ u/s END OF CRYSTAL (A)
696.566 VALUE
684.706 LOS

1) 7.353
1.000

8.353
684.706

693.059

2) 16.392
1.000

17.392
684.706

702.098

3) 703.794

4) 694.010

5) 18.088
1.000

19.088
684.706

703.794

6) 8.304
1.000

9.304
684.706

694.010

SSRL
BL 9-1 MONO
LAB DATA

7-8-05
J.M., L.G.

(X)

BULK IN ON ~~HUBER PLATE~~ FRAME

.597
~~.597~~
~~8.502~~
~~8.547~~
~~10.000~~
~~9.902~~
~~8.973~~
~~8.973~~
+ 9.570 LOS

(+) FT
- 31.495 (+) Hole
3.76 (+) Hole tot

27.735
, 88 (+) EDGE
26.855 Val.

FT
u/s) 36.690
d/s) 36.770
40. —
39.427
37.096
37.096
+ 10.241 LOS

HUBER PLATE

u/s) 10.241
.597

9.6445/R
9.644
 ϕ

d/s) 9.6445/R
9.644

ϕ

GLIP COP

u/s) 10.241
- 1.734
11.975/R
11.990
 ϕ

d/s) 11.975/R
11.990
- 0.15

(c) CRYSTAL
u/s) 12.405
- 2.130 VAL
+ 10.275 LOS
9.337 REF
19.612 E

(d)
d/s) 19.612
- 4.786 VAL
24.398 E
O SIR
- 0.04

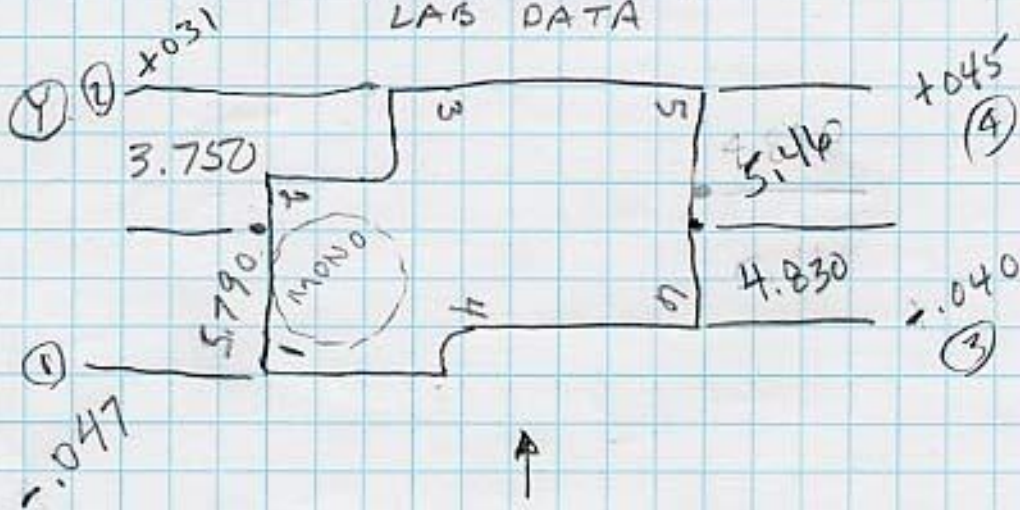
12.403

- .004

SSRL
MONO BL 9-1
LAB DATA

check
on

7-8-05
J.M., L.G.



READ FLAT 24.873

1) 24.873
 (-) .047

24.920 s/r
24.920

\emptyset

2) 24.873
 (+) .031

24.842 s/r
24.840

+002

SET PITCH

3) 24.873
 (-) .040

24.913 s/r
24.917

-004

4) 24.873
 (+) .045

24.828 s/r
24.828

\emptyset

CRYSTAL

u(s) (-) +.002

D(s) (-) +.057

(+) +.057

$\Delta Y = +.055 A/B$
 $+ .054 S/R$
 $+ .001$

1. Crystal is set at 21.88 deg w.r.t. wiggler Φ
2. Lower-cooling Block Glid-cap block, has one edge parallel to wiggler Φ

Target	X	Y	Z
A	-2.240	1.386	696.566
B	-4.895	1.440	703.177
C	-2.130	1.386	696.610
D	-4.786	1.441	703.221
E	-1.734		
F	-1.734		