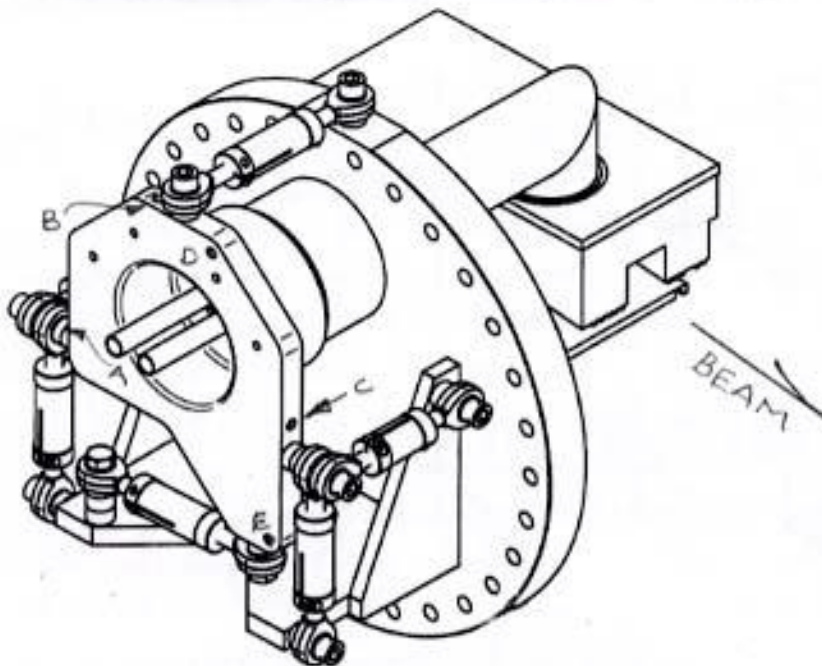


SSRL
B/L 9-1 COMB MASK

5/4/04
J.Mc., L.G.



| | X | Y | Z |
|---|---------|--------|--------|
| A | -14.314 | +2.273 | -4.337 |
| B | -14.333 | +7.518 | -.942 |
| C | -14.344 | +2.369 | +4.174 |
| D | -15.666 | +6.164 | +.985 |
| E | -15.643 | -.826 | +2.820 |

SSRL
B/L 9 9-1 COMARK

H-27-04
JM, L.G
4-28-04

⊗ +13.232 LOS FROM
FLAWLINE

SSRL SIDE OF MASK

$$\begin{array}{r} u/s) 13.232 \\ 8.019 \\ \hline 5.213 \text{ S/R} \\ 5.180 \\ \hline \boxed{+.033} \end{array}$$

$$\begin{array}{r} d/s) 13.232 \\ 8.019 \text{ VALUE} \\ \hline 5.213 \text{ S/R} \\ 5.175 \\ \hline \boxed{+.038} \end{array}$$

BUCKING ON MASK
FOR "X"

$$\begin{array}{r} 8.019 \\ 8.019 \\ 5.180 \\ 5.175 \\ 5.000 \\ 5.011 \\ 5.124 \text{ S/R} \\ 5.124 \text{ S/R} - \end{array}$$

+13.143 LOS

$$\begin{array}{r} A) 1.448 \\ \cdot 17.619 \\ \hline 19.067 \\ 13.143 \\ \hline \boxed{-5.924} \end{array}$$

$$\begin{array}{r} B) 1.467 \\ \text{offset} \\ \text{FT} 17.619 \\ \hline 19.086 \\ 13.143 \\ \hline \boxed{-5.943} \end{array}$$

$$\begin{array}{r} C) 1.478 \\ 17.619 \\ \hline 19.097 \\ 13.143 \\ \hline \boxed{-5.954} \end{array}$$

$$\begin{array}{r} D) 2.800 \\ 17.619 \\ \hline 20.419 \\ 13.143 \\ \hline \boxed{-7.276} \end{array}$$

$$\begin{array}{r} E) 2.777 \\ 17.619 \\ \hline 20.396 \\ 13.143 \\ \hline \boxed{-7.253} \end{array}$$

SSRL

6/1/04

⊗

B/L 9-1 COMB MASK

check 6-1-4
JM

VALUES FROM 4-27-04 ARE TO INSIDE FLANGE FACE
WHICH IS - 8.390 FROM B/L

A) -5.924
-8.390

-14.314

B) -5.943
-8.390

-14.333

C) -5.954
-8.390

-14.344

D) -7.276
-8.390

-15.666

E) -7.253
-8.390

-15.643

OLD VALUES :
FLANGE FROM B/L

Y

SSRL

B/L 9 9-1 COMB. MASK

4-28-04

J.Mc., L.G.

15.345 HI

$$\begin{array}{r} \text{A) } 12.072 \\ 1.000 \\ \hline 13.072 \\ 15.345 \end{array}$$

+2.273

$$\begin{array}{r} \text{B) } 6.827 \\ 1.000 \\ \hline 7.827 \\ 15.345 \end{array}$$

+7.518

$$\begin{array}{r} \text{C) } 11.976 \\ 1.000 \\ \hline 12.976 \\ 15.345 \end{array}$$

+2.369

$$\begin{array}{r} \text{D) } 8.181 \\ 1.000 \\ \hline 9.181 \\ 15.345 \end{array}$$

+6.164

$$\begin{array}{r} \text{E) } 15.171 \\ 1.000 \\ \hline 16.171 \\ 15.345 \end{array}$$

-.826

COMPTON SHIELD

$$\begin{array}{r} 15.345 \\ - .787 \\ \hline 16.132 \text{ s/R} \end{array}$$

a/s

d/s

$$\begin{array}{r} \text{(+)} 16.115 \\ 16.132 \\ \hline +.017 \end{array}$$

$$\begin{array}{r} \text{(-)} 16.110 \\ 16.132 \\ \hline +.022 \end{array}$$

$$\begin{array}{r} \text{(+)} 16.102 \\ 16.132 \\ \hline +.030 \end{array}$$

$$\begin{array}{r} \text{(-)} 16.068 \\ 16.132 \\ \hline +.064 \end{array}$$

$$\begin{array}{r} 16.130 \\ 16.132 \end{array}$$

+0.002

$$\begin{array}{r} 16.130 \\ 16.132 \end{array}$$

+0.002

$$\begin{array}{r} 16.172 \\ 16.132 \end{array}$$

-.040

$$\begin{array}{r} 16.137 \\ 16.132 \end{array}$$

-.005

(Z)

FLANGE
24.732
6.625

+31.357 LOS

SSRL

B/L9 9-1 COMASK

DIS FACE MARG
29.122

4-28-04
JM, LG

8.701

A) 18.075
17.619
35.694
31.357

-4.337

B) 14.680
17.619
32.299
31.357

-0.942

C) 26.183
1.000
27.183
31.357

+4.174

D) 29.372
1.000
30.372
31.357

+0.985

E) 27.537
1.000
28.537
31.357

+2.820