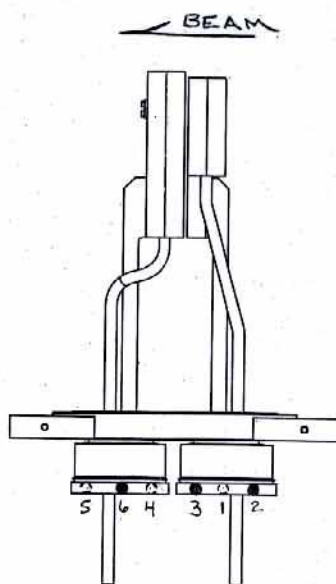


SSRL

BL 8-Z APERTURE SLITS

9-13-07



U/S SLIT

	X	Y	Z
1	-3.726	-12.360	+1.044
2	+3.431	-12.338	-1.555
3	+3.394	-12.333	+1.638

D/S SLIT

	X	Y	Z
4	-3.455	-12.294	+1.794
5	-3.480	-12.317	+5.065
6	+3.645	-12.300	+3.449

⊗ 12.27

$$\begin{array}{r} 2.245 \\ \hline 14.516 \end{array}$$
 SIDE OF SLIT BODY (4.490)
 -14.516 LOS

6.900

4/5 SLIT

1)
$$\begin{array}{r} 9.790 \\ 1. \text{---} \\ \hline 10.790 \checkmark \\ 14.516 \\ \hline -3.726 \checkmark \end{array}$$

2)
$$\begin{array}{r} 11.047 \\ 6.900 \\ \hline 17.947 \checkmark \\ 14.516 \\ \hline +3.431 \checkmark \end{array}$$

3)
$$\begin{array}{r} 11.010 \\ 6.900 \\ \hline 17.910 \checkmark \\ 14.516 \\ \hline +3.394 \checkmark \end{array}$$

0/5 SLIT

$$\begin{array}{r} 12.395 \\ 2.250 \\ \hline 14.645 \checkmark \end{array}$$

4)
$$\begin{array}{r} 10.190 \\ 1.000 \\ \hline 11.190 \checkmark \\ 14.645 \\ \hline -3.455 \checkmark \end{array}$$

5)
$$\begin{array}{r} 10.165 \\ 1.000 \\ \hline 11.165 \checkmark \\ 14.645 \\ \hline -3.480 \checkmark \end{array}$$

6)
$$\begin{array}{r} 26.078 \\ 1.000 \\ \hline 27.078 \checkmark \\ 30.723 \\ \hline +3.645 \checkmark \end{array}$$

9.000 REF

54.368

9.000 REF

$$\begin{array}{r} 14.645 \checkmark \\ \hline 23.645 = 6 \\ 54.368 \\ \hline +30.723 \text{ LOS} \checkmark \end{array}$$

U/S SLIT

(Y) +.015 to BOTTOM of .625 GAP

$$\begin{array}{r} 1315 \text{ Y2 GAP} \\ - .298 \text{ HI} \checkmark \\ \hline 5.565 \end{array}$$

5.565 REF

U/S SLIT

$$\begin{array}{r} 5.267 \checkmark \phi \\ 23.243 \text{ GUNZ} \\ - 17.976 \checkmark \text{ HI} \end{array}$$

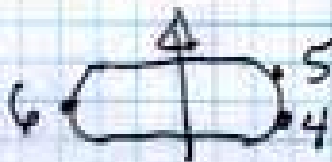
1) $\begin{array}{r} 4.616 \\ 1.000 \\ \hline 5.616 \checkmark \\ 17.976 \\ \hline -12.360 \checkmark \end{array}$	2) $\begin{array}{r} 4.638 \\ 1.000 \\ \hline 5.638 \checkmark \\ 17.976 \\ \hline -12.338 \checkmark \end{array}$	3) $\begin{array}{r} 4.643 \\ 1.000 \\ \hline 5.643 \checkmark \\ 17.976 \\ \hline -12.333 \checkmark \end{array}$
--	--	--



D/S SLIT

6.057 TOP OF BLADES
 6.677 BOTTOM OF BLADES

$$\begin{array}{r} 6.367 = \phi \checkmark \\ 27.137 \text{ GUNZ} \\ - 20.770 \text{ HI} \checkmark \end{array}$$



4) $\begin{array}{r} 7.476 \\ 1.000 \\ \hline 8.476 \checkmark \\ 20.770 \\ \hline -12.294 \checkmark \end{array}$	5) $\begin{array}{r} 7.453 \\ 1.000 \\ \hline 8.453 \checkmark \\ 20.770 \checkmark \\ \hline -12.317 \checkmark \end{array}$	6) $\begin{array}{r} 7.470 \\ 1.000 \\ \hline 8.470 \checkmark \\ 20.770 \\ \hline -12.300 \checkmark \end{array}$
--	---	--

59747

② 1/3 SLIT 1/3 FACE BOTTOM EDGE



38. —
37.386
34. —
33.647
28.590
28.592

1/3 SLIT 1/3 FACE TOP
+ 30.115
- 30.104



- 28.591605 ✓

1/3 SLIT (FLAT FT.)

1) 27.385
1.250
28.635 ✓
28.591
+0.044 ✓

2) 25.786
1.250
27.036 ✓
28.591
-1.555 ✓

3) 28.979
1.250
30.229 ✓
28.591
+1.638 ✓

D/3 SLIT

1/3 FACE TOP

4) 29.135
1.250
30.385 ✓
28.591
+1.794 ✓

5) 32.466
1.250
33.716 ✓
28.591
+5.065 ✓

6) 25.140
6.900
32.040 ✓
28.591
+3.449 ✓

+ 30.066 41
- 30.077 27

SRCL

9-17-07

BL 8-2 APERTURE

M.R., L.G

SET YAW AP 2 TK

(Y)

TANK UPSIDE DOWN

$$\begin{array}{r}
 +.038 \\
 1) \\
 \hline
 19.932 \text{ R} \\
 19.920
 \end{array}$$

$$\begin{array}{r}
 +4.165 \\
 3) 15.805 \\
 \underline{4.165} \\
 19.970 \checkmark \\
 \underline{1.} \\
 20.970 \checkmark
 \end{array}$$

$$\begin{array}{r}
 +4.098 \\
 4) 15.870 \\
 \underline{1} \\
 16.870 \checkmark \\
 \underline{4.098} \\
 20.968 \checkmark
 \end{array}$$

$$\bar{m} = 20.969 \text{ HI} \checkmark$$

U/S SLIT

$$\begin{array}{r}
 12.360 \\
 1) 20.969 \\
 \underline{12.360} \\
 8.609 \checkmark \\
 \underline{1.} \\
 7.609 \text{ S/R} \checkmark \\
 5.146 \quad + 2.469
 \end{array}$$

$$\begin{array}{r}
 12.338 \\
 2) 20.969 \\
 \underline{12.338} \\
 8.631 \checkmark \\
 \underline{1.} \\
 7.631 \text{ S/R} \checkmark \\
 5.163 \quad + 2.468
 \end{array}$$

$$\begin{array}{r}
 12.333 \\
 5) 20.969 \\
 \underline{12.333} \\
 8.636 \checkmark \\
 \underline{1.} \\
 7.636 \text{ S/R} \checkmark \\
 5.156 \quad + 2.500 \\
 5.146 \quad + 2.490
 \end{array}$$

(Z)

TANK

$$\begin{array}{r}
 3) +.140 \\
 4) -.323 \\
 16.510 + 1 \\
 16.120 + 1 \\
 11.000 + 1 \\
 12.842 + 1 \\
 17.705 - 1 \\
 17.242 - 1 \\
 + 17.565 \text{ LOS} \checkmark
 \end{array}$$

U/S SLIT

$$\begin{array}{r}
 1) +.044 \\
 + 17.565 \\
 \underline{17.521} \checkmark \\
 \underline{1.} \\
 16.521 \text{ S/R} \checkmark \\
 18.004 - \\
 - 1.483
 \end{array}$$

$$\begin{array}{r}
 3) +1.638 \\
 + 17.565 \\
 \underline{15.927} \checkmark \\
 \underline{1.} \\
 14.927 \text{ S/R} \checkmark \\
 16.417 \\
 - 1.490 \checkmark
 \end{array}$$

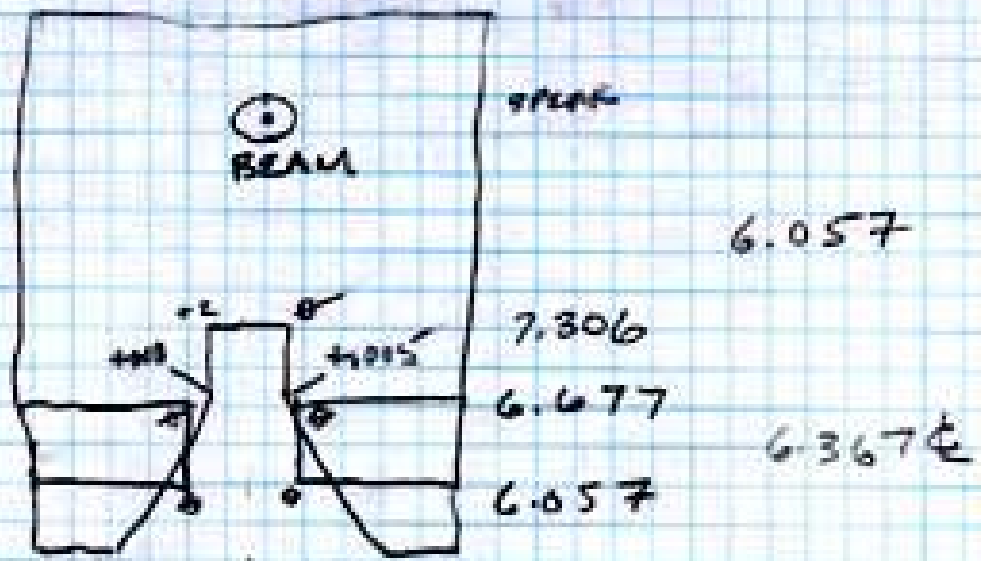
SSRL

BL 8-2 APERTURE SLIT

9-14-07
M.R., L.G.

27.137 GUNZ

D/S SLIT



4.500

1.667

1.166

1.667