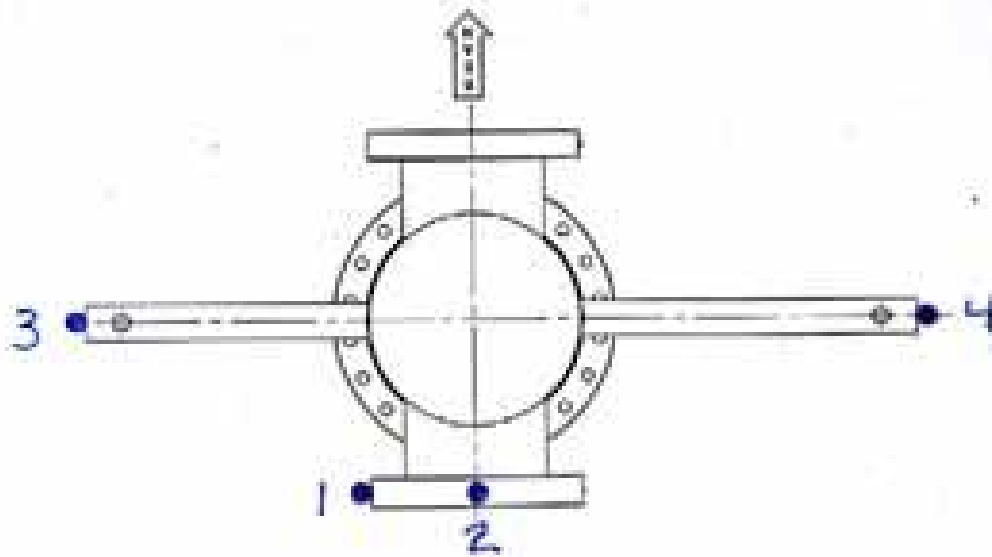


SSRL

9-14-07

BLB-2 APERTURE SLIT TANK



	X	Y	Z
1	4.460	- .038	- 4.912
2	- .040	4.475	- 4.924
3	13.894	- 4.165	.140
4	- 12.472	- 4.098	- .323

SSRL

9-14-07

BL 8-2 APERTURE TANK

M.R., L.G.

(X)

2.005

2.005

31.000

30.658

24.000

24.628

28.532 5/8

28.532 5/8

+ 30.537 6/8

$$1) \begin{array}{r} 25.077 \\ 1.000 \\ \hline \end{array}$$

26.077 ✓

30.537

+4.460 ✓

$$2) \begin{array}{r} 29.577 \\ 1.000 \\ \hline \end{array}$$

30.577 ✓

30.537

- .040 ✓

$$3) \begin{array}{r} 15.643 \\ 1.000 \\ \hline \end{array}$$

16.643

30.537

+13.894 ✓

2.005

2.005

20.000

19.374

16.500

16.408

15.897 5/8

15.897 5/8

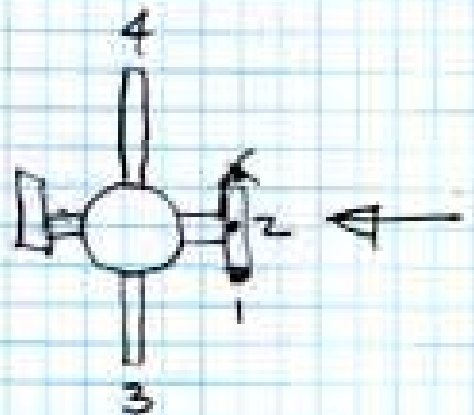
-17.902 6/8 ✓

$$4) \begin{array}{r} 9.430 \\ 1.000 \\ \hline \end{array}$$

5.430 ✓

17.902

-12.472 ✓



④

TUBE (4.000φ)

u/s)	o/s)		4"
5.432	5.432		
<u>2.000R</u>	<u>2.000</u>		
7.432 HI	7.432 HI		

1) 6.470	2) 1.957	3) 10.597	4) 10.530
<u>1.000</u>	<u>1.000</u>	<u>1.000</u>	<u>1.000</u>
7.470 ✓	2.957 ✓	11.597 ✓	11.530 ✓
7.432	7.432	7.432	7.432
-0.038	+4.475 ✓	-4.165 ✓	-4.098 ✓

⑤ 7.980 BOTTOM FL.

$$\begin{array}{r}
 8.360 \\
 3.990R \\
 \hline
 -12.350 \checkmark \text{ LOS}
 \end{array}$$

1) 6.438	2) 6.426	3) 11.490	4) 11.027
<u>1.000</u>	<u>1.000</u>	<u>1.000</u>	<u>1.000</u>
7.438 ✓	7.426 ✓	12.490 ✓	12.027 ✓
12.350	12.350	12.350	12.350
-4.912 ✓	-4.924 ✓	+1.140 ✓	-0.323 ✓