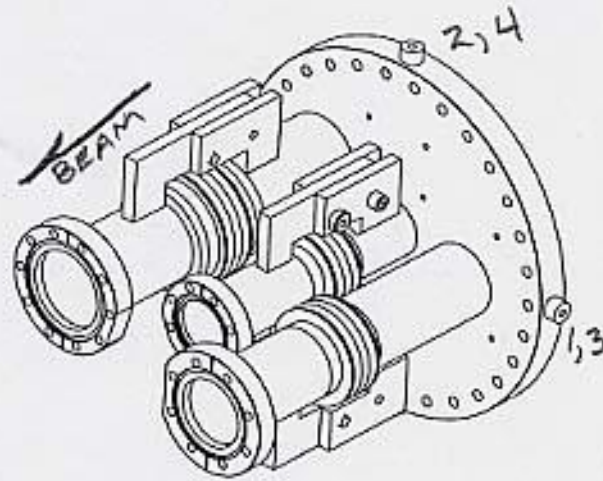


SSRL  
BL 7 BREAKOUT

10/05



	X	Y	Z
1	+8.121	+0.049	+0.604
2	-.108	+8.129	+0.615
3	-8.119	+0.003	+0.614
4	+0.043	-8.116	+0.614

3 SRL  
BL 7 BREAKOUT  
LAB DATA

10-11-05  
J.M., L.G.

(Y) 12.545 HI

check Jim

2  
1 (+) 3  
4

1)

1) 11.496  
1.000  
12.496  
12.545

+0.049

2) 3.416  
1.000  
4.416  
12.545

+8.129

3) 11.542  
1.000  
12.542  
12.545

+0.003

4) 16.745 (2-4)  
1.500  
16.245  
8.129

-8.116

(Z) @ W/S FACE OF FLANGE (-)  
@ " " " " (+)

11.782

11.736

10.000

10.516

11.636

11.636

-11.636 LOS

1) 11.240  
1.000  
12.240  
11.636

+0.604

2) 11.251  
1.000  
12.251  
11.636

+0.615

3) 11.250  
1.000  
12.250  
11.636

+0.614

4) 11.250  
1.000  
12.250  
11.636

+0.614

1-3  
16.740

SSRL  
BL7 BREAKOUT  
LAB DATA

10-11-05  
J.M., L.G.

(X)

$$\begin{array}{r} 26.683 \\ \underline{6.625 \text{ RADIUS}} \\ + 33.308 \text{ LOS} \end{array}$$

APERTURE PLATE  
7-2

$$\begin{array}{r} 33.308 \\ \underline{1.669 \text{ (OLE) SIDE}} \end{array}$$

$$\begin{array}{r} 33.977 \\ \underline{1,000 \text{ Ft.}} \end{array}$$

$$\begin{array}{r} 32.977 \text{ 5/R} \\ \underline{32.972} \end{array}$$

$$\boxed{+1.005}$$

7-3 PIPE

$$\begin{array}{r} 33.308 \\ \underline{1.310 \text{ RAD}} \end{array}$$

$$\begin{array}{r} 31.998 \end{array}$$

(+) 3.037 OFFSET

$$\begin{array}{r} 28.961 \text{ 5/R} \\ \underline{28.953} \end{array}$$

$$\boxed{+1.008}$$

$$\begin{array}{r} 1) 24.187 \\ \underline{1,000} \end{array}$$

$$\begin{array}{r} 25.187 \\ \underline{33,308} \end{array}$$

$$\boxed{+8.121}$$

$$2) 32.416$$

$$\underline{1,000}$$

$$\begin{array}{r} 33.416 \\ \underline{33,308} \end{array}$$

$$\boxed{-1.108}$$

$$3) 16.740 (1-3) 4) 32.265$$

$$\underline{.500}$$

$$\begin{array}{r} 16.240 \\ \underline{8,121} \end{array}$$

$$\boxed{-8.119}$$

$$\underline{1,000}$$

$$\begin{array}{r} 33.265 \\ \underline{33,308} \end{array}$$

$$\boxed{+1.043}$$