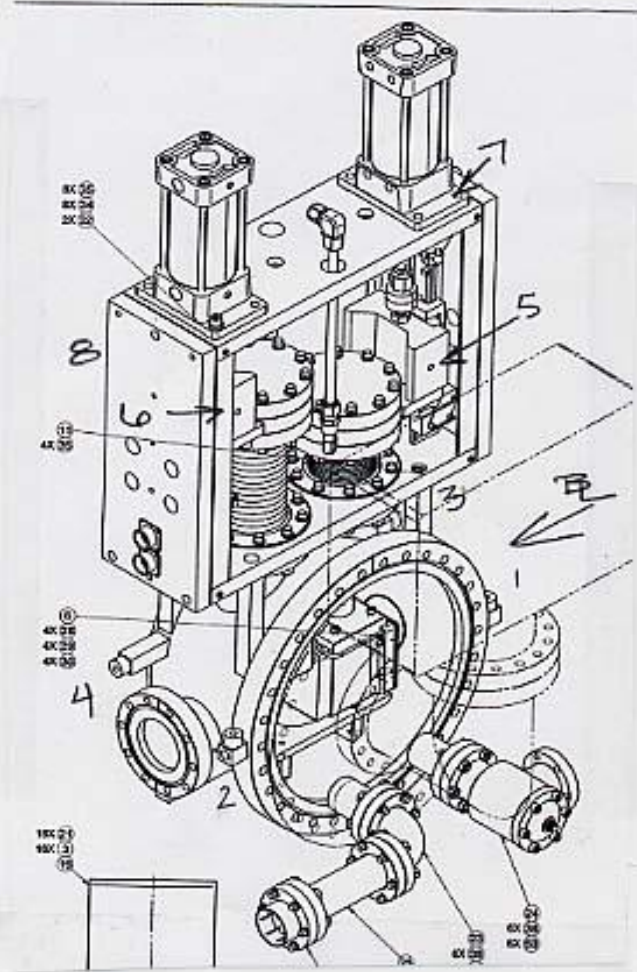


SSRL B/L 7-3
 HUTCH STOPPER

DATE 6/16/05
 CREW MR JME



X + Y = 0 = R OF ENTRANCE + EXIT FLANGE

	X	Y	Z (TAPED)
1	+3.820	+3.352	-7.070
2	+3.840	+3.363	+7.050
3	-2.105	+2.844	-8.760
4	-2.105	-2.836	+8.775
5	+3.003	+13.703	—
6	+3.036	+13.680	—
7	-3.007	+13.712	—
8	-2.974	+13.693	—

5-8 VALUES ARE DOWN
 POSITION

SSRL B/L 7-3

HUTCH STOPPER TANK

6/16/05
MR JME
Check
SM

9509060
Y) 4.626 2.313 * X+Y"O" = ENTRANCE + EXIT FLANGES

$$\begin{array}{r} 3.705 \\ \hline 6.018 \text{ H.I.} \end{array}$$

1) $\begin{array}{r} 1 \\ \hline 2.666 \\ 6.018 \\ \hline +3.352 \end{array}$	2) $\begin{array}{r} 1 \\ \hline 2.655 \\ 6.018 \\ \hline +3.363 \end{array}$	3) $\begin{array}{r} 1 \\ \hline 3.174 \\ 6.018 \\ \hline +2.844 \end{array}$	4) $\begin{array}{r} 1 \\ \hline 3.182 \\ 6.018 \\ \hline +2.836 \end{array}$
-------------------------------------------------------------------------------	-------------------------------------------------------------------------------	-------------------------------------------------------------------------------	-------------------------------------------------------------------------------

X)
 FV 2.313
 NV 2.313
 1F 2000+19.194=21194
 1N 2.970+19.194=22164
 2F 6.000+19.194=25.194
 2N 6.370+19.194=25.564
 S/R F 27.661-19.194 8.467
 S/R N 27.661-19.194 8.46756 27.650
~~LOS 29.974~~
 27.590-19.194=8.396
 27.590- 8.396
 29.903 LOS

~~$$\begin{array}{r} 8.396+19.194 \\ 8.381+19.194 \\ 9.000+19.194 \\ 8.898+19.194 \\ 27.486-19.194 \\ 27.486-19.194 \\ 29.799-27.342-19.194 \\ 27.342 \\ 29.655 \end{array}$$~~

$$\begin{array}{r} 27.590 \\ 27.515 \\ 28.194 \\ 28.092 \\ 8.292 \\ 8.29298 \\ 8.148 \end{array}$$

$$\begin{array}{r} 27.492 \\ 27.492 \end{array}$$

1) $\begin{array}{r} 1 \\ \hline 26.083 \\ 29.903 \\ \hline +3.820 \end{array}$	2) $\begin{array}{r} 1 \\ \hline 26.063 \\ 29.903 \\ \hline +3.840 \end{array}$	3) $\begin{array}{r} 1 \\ \hline 32.008 \\ 29.903 \\ \hline -2.105 \end{array}$	4) $\begin{array}{r} 1 \\ \hline 32.008 \\ 29.903 \\ \hline -2.105 \end{array}$
---------------------------------------------------------------------------------	---------------------------------------------------------------------------------	---------------------------------------------------------------------------------	---------------------------------------------------------------------------------

1F 28.000+1=29.000
 1N 27.536+1=28.536
 2F 22.000+1=23.000
 2N 22.434+1=23.434
 S/R F 26.033-1=25.033
 S/R N 26.013-1=25.013
 OS
$$\boxed{29.853}$$
 FOR BLOCKS + TB 5,6,7,8

SSRL B/L 7-3
HITCH STOPPER

6/16/05
MR JME

SETTING STOPPERS

X) YAW

29.853

1.625

28.228

U/S STOPPER

D/S STOPPER

U/S

D/S

28.228

28.228

28.238 - 10

28.233 - 5

U/S

D/S

28.228

28.228

28.263 - 35

28.263 - 35

28.241 - 13

28.241 - 13

ROLL

U/S STOPPER

D/S STOPPER

TOP

BOTTOM

TOP

BOTTOM

28.228

28.228

28.228

28.228

28.233 - 5

28.236 - 8

28.245 - 17

28.239 - 11

Y)

6.018

2ND

27.929

14.717

8.699

8.699 E BLADE

19.230 H.I.

1.625

7.074

SSRL B/L 7-3
HUTCH STOPPER

6/16/05
MR JME

VALUES OF TOOLING BALLS 5, 6, 7, + 8 IN THE
DOWN POSITION

Y) 19.230 H.I.

$$\begin{array}{r} 5) \quad 45.27 \\ \quad \underline{1} \\ \quad 5.527 \\ \quad 19.230 \\ \quad \underline{\quad} \\ \quad \boxed{+13.703} \end{array}$$

$$\begin{array}{r} 6) \quad 4.550 \\ \quad \underline{1} \\ \quad 5.550 \\ \quad 19.230 \\ \quad \underline{\quad} \\ \quad \boxed{+13.680} \end{array}$$

$$\begin{array}{r} 7) \quad 4.518 \\ \quad \underline{1} \\ \quad 5.518 \\ \quad 19.230 \\ \quad \underline{\quad} \\ \quad \boxed{+13.712} \end{array}$$

$$\begin{array}{r} 8) \quad 4.537 \\ \quad \underline{1} \\ \quad 5.537 \\ \quad 19.230 \\ \quad \underline{\quad} \\ \quad \boxed{+13.693} \end{array}$$

$$\begin{array}{r} 1.524 \\ \quad \underline{1} \\ \quad 2.524 \\ \quad 19.230 \\ \quad \underline{\quad} \\ \quad 16.706 \\ \quad 13.703 \\ \quad \underline{\quad} \\ \quad 3.003 \text{ TRAVEL} \end{array}$$

$$\begin{array}{r} 1.506 \\ \quad \underline{1} \\ \quad 2.506 \\ \quad 19.230 \\ \quad \underline{\quad} \\ \quad 16.724 \\ \quad 13.703 \\ \quad \underline{\quad} \\ \quad 3.021 \end{array}$$

X)

$$\begin{array}{r} 5) \quad 25.850 \\ \quad \underline{1} \\ \quad 26.850 \\ \quad 29.853 \\ \quad \underline{\quad} \\ \quad \boxed{+3.003} \end{array}$$

$$\begin{array}{r} 6) \quad 25.817 \\ \quad \underline{1} \\ \quad 26.817 \\ \quad 29.853 \\ \quad \underline{\quad} \\ \quad \boxed{+3.036} \end{array}$$

$$\begin{array}{r} 5/7) \quad 6.510 \\ \quad \underline{.500} \\ \quad 6.010 \\ \quad 3.003 \\ \quad \underline{\quad} \\ \quad \boxed{-3.007} \end{array}$$

$$\begin{array}{r} 6/8) \quad 6.510 \\ \quad \underline{.500} \\ \quad 6.010 \\ \quad 3.036 \\ \quad \underline{\quad} \\ \quad \boxed{-2.974} \end{array}$$

Z) TAPED

$$1) \quad \boxed{-7.070}$$

$$2) \quad \boxed{+7.050}$$

$$3) \quad \boxed{-8.760}$$

$$4) \quad \boxed{+8.775}$$