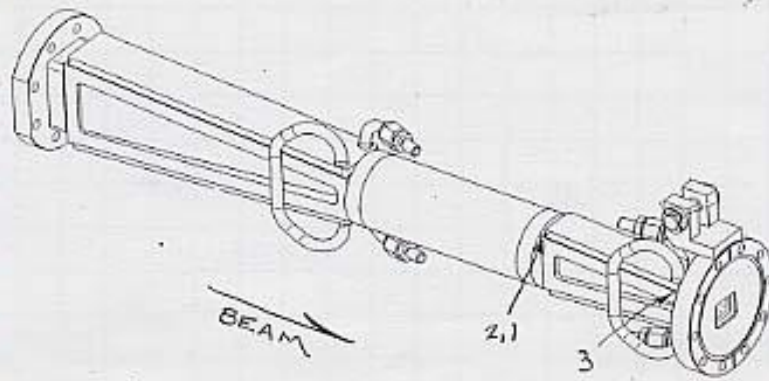


SSRL
BL7-3 PIVOT MASK

11/05



	1	2	3	TOP OF W/S FLANGE	GIRDER @ ϕ HEAD.
Y	+1.908	+1.911	+1.635	+1.929	

(H) SIDE OF \rightarrow

	W/S FLANG	D/S FLANGE	D/S END OF MASK Z
X	+5.336	+5.812	+3.992

USE THESE NUMBERS WHEN GIRDER IS AT ϕ HEAD. VALUES ARE FROM WIGGLER CENTER LINE.

SSRL
BL 7-3 PIVOT MASK
LAB DATA

9-26-05
J.M., L.G.

(Y)

$$\begin{array}{r}
 +.026 \text{ TO TOP OFAPER.} \\
 3.657 \text{ REF. BLADE} \\
 \hline
 3.683 \\
 1.138 \text{ 1/2 APER.} \\
 \hline
 3.545 = \Phi \\
 13.352 \text{ REF. GUN 2} \\
 \hline
 +9.807 \text{ HI}
 \end{array}$$

$$\begin{array}{r}
 u/s \text{ FL) } 9.807 \\
 2.235 \text{ R} \\
 \hline
 7.572 \\
 -.300 \text{ u/s @ } \phi \text{ MRAD} \\
 \hline
 7.878 \\
 1. \text{ ---} \\
 \hline
 6.878 \text{ S/R} \\
 6.882 \\
 \hline
 = .004
 \end{array}$$

us+

$$\begin{array}{r}
 1) 8.899 \\
 9.807 \\
 \hline
 +.908
 \end{array}$$

us- MASK 2

$$\begin{array}{r}
 2) 8.896 \\
 9.807 \\
 \hline
 +.911
 \end{array}$$

DS-

$$\begin{array}{r}
 3) 9.172 \\
 9.807 \\
 \hline
 +.635
 \end{array}$$

MASK 1

DS

$$(+) 9.175 \quad (-) 9.157$$

SSRL
BL 7-3 PIVOT MASK

9-26-05
J.M., L.G.

check

(X)

1.000 MI
.750 MZ
4.035
4.295
4.100
4.352
4.116
4.366
+ 5.116 LOS
10.996 REF

5.880 = ϵ

FLANGES
u/s) 5.116
2.235R

2.881 5/2
2.886

o/s) 5.116
2.310R

2.806
1.250 offset

2.556 5/2
2.554

MASK 1 D/S
4.116 5/2
4.116

MASK 2 u/s
4.366 5/2
4.365

D/S APERTURE

(+) (-)
5.880 5.880
240 .240

6.120 5/2 5.640 5/2
-1.005 -1.005

6.115 5.635

$\epsilon = 5.875$
10.996

+ 5.121 LOS

FLANGES

u/s) 2.886 o/s) 2.554 RHD
5.121 5.121

+2.235 +2.567

MASK 1 (+) SIDE

u/s) 4.116 o/s) 4.116
5.121 5.121

+1.005 +1.005

MASK 2 (+) SIDE

u/s) 4.365 o/s) 4.366
5.121 5.121

+1.756 +1.755

7-3 PIVOT MASIC

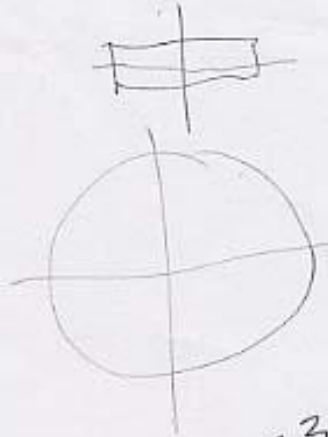
9/05

DS aperture
at 0mrad
at 13.6mrad

X	Y	Z
82.23	0	15242.76
82.23	-24.3	15244.63

US Flange
at 0mrad
at 13.6mrad

X	Y	Z
78.76	-7.77	14601.92
78.77	-12.23	14603.83



5.4
 Δ ~~SUB~~ YAW
 - 12.29 Pitch @ ϕ

$Z\Delta = 25.230$

~~.628~~ (12.29mm)
 .480

Flange DS 7-3
 X = 88.78
 Y = 1520.78
 Z = 0.57

SSRL
BL7-3 PIVOT MASK

11-1-05
L.G.

(X) FROM WIGGLER LINE

FLANGES (+) SIDE

$$\begin{array}{r} u/s) + 2.235 \\ \quad \quad \quad \underline{3.101} \text{ offset} \\ + 5.336 \end{array} \quad \begin{array}{r} D/s) + 2.567 \\ \quad \quad \quad \underline{3.495} \text{ offset @ 5.4 MRAD.} \\ + 6.062 \\ \quad \quad \quad \underline{- .250} \text{ offset} \\ + 5.812 \end{array}$$

D/S END OF MASK Z ~ APERTURE

$$\begin{array}{r} + .755 \\ \quad \quad \quad \underline{3.237} \\ + 3.992 \end{array}$$