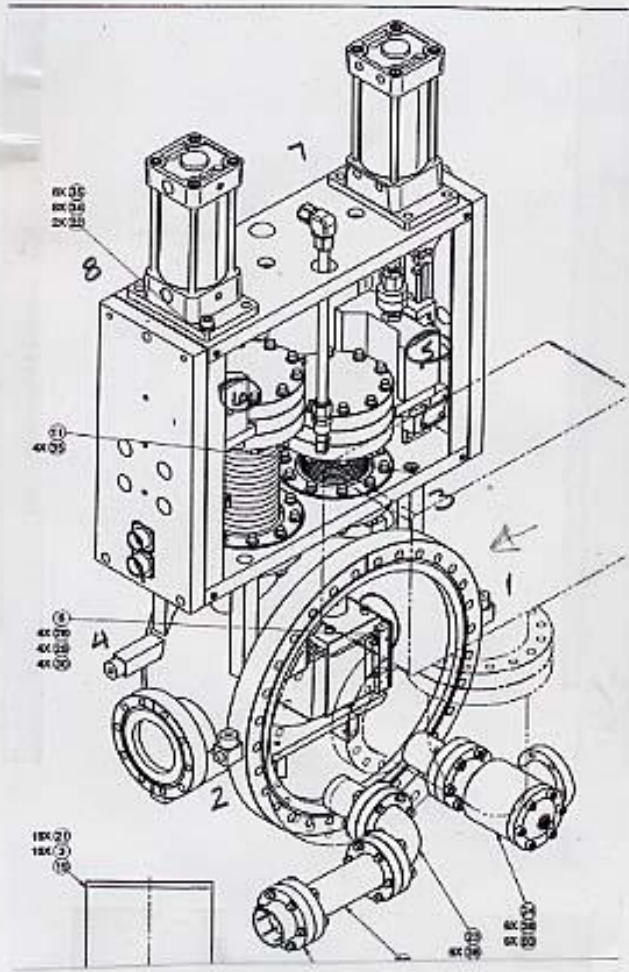


SSRL B/L 7-2
 HUTCH STOPPER

DATE 6/15/05
 CREW FGJME



✓ JME
 6/17/05

$X + Y - Z = \text{C OF ENTRANCE + EXIT FLANGE}$

	X	Y	Z (TAPED)
1	+3.839	+3.355	-7.080
2	+3.854	+3.367	+7.000
3	-2.124	+2.845	-8.875
4	-2.076	+2.820	+8.830
5	+2.960	+13.666	—
6	+3.069	+13.673	—
7	-3.050	+13.655	—
8	-2.941	+13.692	—

5-8 VALUES ARE DOWN
 POSITION

SSRL 7-2
Hutch Stopper

6/15/05
JM FG

(Y)

Flanges R. 2.313

X & Y
Φ @ ENTRANCE & EXIT
FLANGE

$$\begin{array}{r} \text{U/S} \\ 1.051 \\ 2.313 \\ \hline 3.364 \end{array}$$

$$\begin{array}{r} \text{D/S} \\ 1.052 \\ 2.313 \\ \hline 3.365 \end{array}$$

$$\text{HI} = 3.365$$

$$\begin{array}{r} \text{REF BLADE} \\ 12.181 \\ 3.365 \\ \hline 8.816 \end{array}$$

$$\begin{array}{r} \text{2ND SET UP BLADE} \\ 13.298 \\ 8.816 \\ \hline \text{HI} = 4.482 \end{array}$$

TANK

1

2

3

4

SET STOPPER

$$\begin{array}{r} 0.127 \\ 1 \\ \hline 1.127 \\ 4.482 \\ \hline 3.355 \end{array}$$

$$\begin{array}{r} 0.115 \\ 1 \\ \hline 1.115 \\ 4.482 \\ \hline 3.367 \end{array}$$

$$\begin{array}{r} 0.637 \\ 1 \\ \hline 1.637 \\ 4.482 \\ \hline 2.845 \end{array}$$

$$\begin{array}{r} 0.662 \\ 1 \\ \hline 1.662 \\ 4.482 \\ \hline 2.820 \end{array}$$

$$\begin{array}{r} \Phi 8.816 \\ \frac{1}{2} \text{ Block } 1.625 \\ \text{S/R } 7.191 \\ \text{BOT.} \end{array}$$

$$\begin{array}{r} \text{REF. BLADE} \\ 27.954 \\ 8.816 \\ \hline 19.138 \end{array}$$

HI

OUT OF BEAM

$$\begin{array}{r} \text{5} \\ 1.458 \\ \text{change } 3.014 \end{array}$$

$$\begin{array}{r} \text{6} \\ 1.451 \end{array}$$

STOPPERS

$$\begin{array}{r} 1.458 \\ \text{5} \\ 4.472 \\ 1 \\ \hline 5.472 \\ 19.138 \\ \hline 13.666 \end{array}$$

$$\begin{array}{r} 1.451 \\ \text{6} \\ 4.465 \\ 1 \\ \hline 5.465 \\ 19.138 \\ \hline 13.673 \end{array}$$

$$\begin{array}{r} \text{7} \\ 4.483 \\ 1 \\ \hline 5.483 \\ 19.138 \\ \hline 13.655 \end{array}$$

$$\begin{array}{r} \text{8} \\ 4.446 \\ 1 \\ \hline 5.446 \\ 19.138 \\ \hline 13.692 \end{array}$$

SSRL $\frac{1}{2}$ 7-2
Hutch Stopper

6/15/05
JM FG

(X) Buck-In

F.V. = 2.313 u/s Flange
N.V. = 2.313 DIS FL.

1ST F = 7.462 + 19.194 = 26.656

1ST N = 7.475 + 19.194 = 26.669

2ND F = 7.518 + 19.194 = 26.712

2ND N = 7.512 + 19.194 = 26.706

S/R F = 26.694 - 19.194 = 7.500

S/R N = 19.194 = 7.500

7.518 7.462

7.512 7.475

LOS = 29.007

Took Roll out with top $\frac{1}{2}$ bottom of big flange
.001" of Roll

TANK

STOPPERS

1

2

3

4

5

6

24.168

24.153

30.131

30.083

25.047

24.938

1

1

1

1

1

1

25.168

25.153

31.131

31.083

26.047

25.938

29.007

29.007

29.007

29.007

29.007

29.007

3.839

3.854

-2.124

-2.076

2.960

3.069

Mc'D 6-8

6.510

.5

6.010

3.069

-2.941

Mc'D 5-7

6.510

.500

6.010

2.960

-3.050

8

7

-2.941

-3.050

SSRL # 7-2
Hutch Stoppers

6/15/05

(X)

ROLL

+ 29,007 LOS
1.625 1/2 BLOCK

U/S BLOCK

27.382 S/R

D/S BLOCK

TOP

BOT

TOP

BOT

27.363

27.358

27.464

27.470

26.376

26.372

26.377

26.377

YAW

U/S BLOCK

D/S BLOCK

U/S

D/S

U/S

D/S

27.356

27.362

27.450

27.464

27.377 +5

27.379 +3

27.375 +7

27.583 -1

(Z)

TANK

1

2

3

4

- 7.080

7.000

- 8.875

8.830