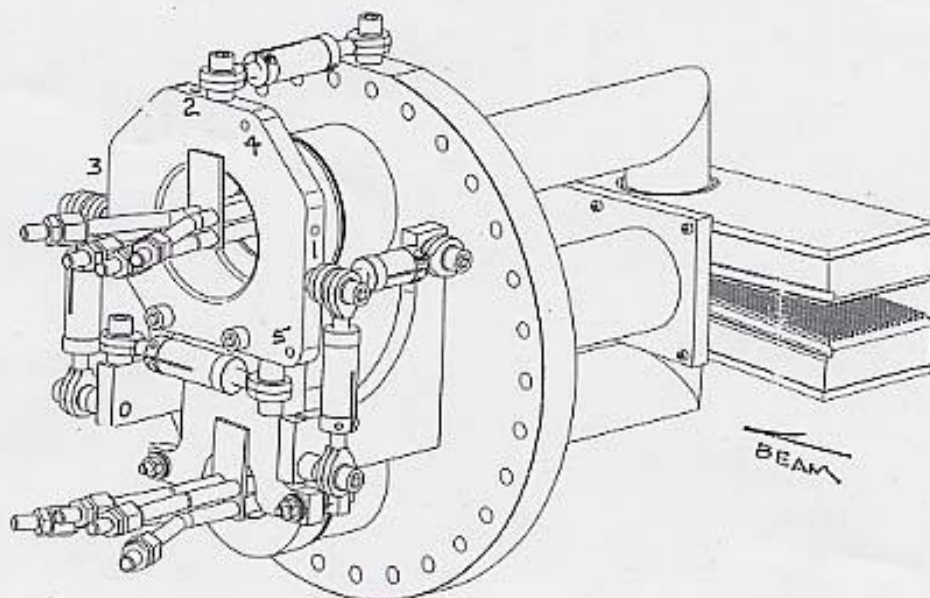


SSRL BL7-1 COMB MASK

9/05



	X	Y	Z
1	+13.148	+4.078	-4.263
2	+13.098	+7.572	+0.811
3	+13.128	+4.046	+4.246
4	+14.447	+6.202	-1.139
5	+14.495	+0.967	-2.899

SSRL
BL 7-1 COMB MASK
LAB DATA

9-6-05
J.M., L.G.

(X) 11.580 FLANGE FACE TO (-) SIDE OF MASK
 -4.081 X VALUE (-) SIDE OF MASK

 +7.499 X VALUE FL. FACE

D/S GAP (APERTURE)
 .597

7.499
 7.499
 -25.000
 -24.955
 -23.000
 -23.145
 24.571
 24.571
 -17.072 cos

SET YAW
 u/s) 17.072 o/s) 17.072
 4.081 4.081

 12.9915/R 12.9915/R
 12.992 12.991

 +0.01 0

(-) SIDE OF GAP TO
 (-) SIDE OF MASK
 1.891

Roll on FL.
 T. 24.575
 9s B. 24.574

4510
 1) 12.601
 17.619

 30.220
 -17.072

 +13.148

4490
 2) 12.551
 17.619

 30.170
 -17.072

 +13.098

17.619
 3) 12.581
 17.619

 30.200
 -17.072

 +13.128

4) 13.900
 17.619

 31.519
 -17.072

 +14.447

9-7-05
 5) 14.381
 1.000

 15.381
 29.876

 +14.495

SSRL
BL 7-1 COMB MASK
LAB DATA

9-6-05
J.M., L.G.

(Z) 16.696
6.625 R

23.321 LOS

check
pm

1) 9.965
17.619

27.584
23.321

-4.263

2) 21.510
1.000

22.510
23.321

+1.811

3) 18.075
1.000

19.075
23.321

+4.246

4) 23.460
1.000

24.460
23.321

-1.139

5) 25.220
1.000

26.220
23.321

-2.899

SSRL
BL7-1 COMB MASK
LAB DATA
SETUP

9-6-05
J.M., L.G.
415 GAP, .758

(Y) 5.770
 $\frac{6.625 \text{ RAD}}{12.395 \text{ HI}}$
 $\frac{4.320 \text{ REF}}{16.715} = \text{€}$
 .138 1/2 APERTURE
 16.715
 16.853 to Top of APER.

4.825
 $\frac{6.625}{11.450 \text{ HI}}$
 $\frac{5.415 \text{ REF.}}{16.865} = \text{€}$
 D/S
 16.865
 .138 1/2 APER.
 17.003 To Top of APER.

u/s
 $\frac{16.865}{16.486} \text{ To BOTTOM}$
 1.379 1/2 GAP

$\frac{27.547}{16.865} \text{ €}$
 + 10.682 HI

1) $\frac{5.604}{1.000}$
 $\frac{6.604}{10.682}$

$\boxed{+4.078}$

2) $\frac{2.110}{1.000}$
 $\frac{3.116}{10.682}$

$\boxed{+7.572}$

3) $\frac{5.636}{1.000}$
 $\frac{6.636}{10.682}$

$\boxed{+4.046}$

4) $\frac{3.480}{1.000}$
 $\frac{4.480}{10.682}$

$\boxed{+6.202}$

5) $\frac{8.715}{1.000}$
 $\frac{9.715}{10.682}$

$\boxed{+9.67}$