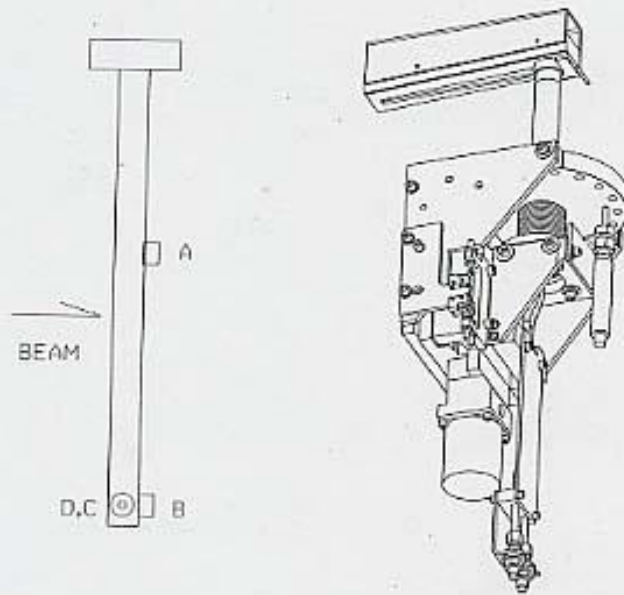


SSRL  
BL 7-1 BOTTOM SUT

9-05



	X	Y	Z
A	-1.863	-18.578	+1.570
B	-1.835	-25.076	+1.656
C	+0.246	-25.094	-.334
D	-3.812	-25.121	-.395

check  
SM

CHANGE X & Y SIGNS  
9-8-05

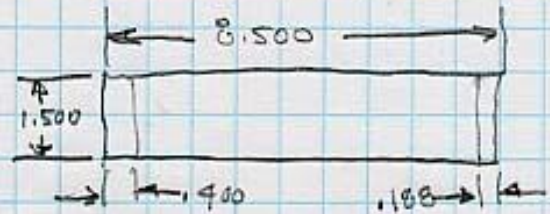
SSRL BOTTOM

BL 7-1 TOP SLIT  
LAB DATA

J.M., L.G.

(1)

D/S	u/s	Δ
+1.027	+1.410	,383



8.980 REF.

1.027 HI

9.007 B/L

30.405

-21.398 HI

8.500

-1.400

8.100

-1.188

7.912

$$\Delta Y = \sin 2.75^\circ \times 7.912 = .380''$$

A) 1.820

1.000

-2.820

21.398

-18.578

B) 2.678

1.000

+3.678

21.398

-25.076

C) 2.696

1.000

+3.696

21.398

-25.094

D) 2.723

1.000

+3.723

21.398

-25.121

CHANGED TO BOTTOM SLIT  
Y's (-)

check JM

SSRL BOTTOM CHANGE X & Y SIGNS  
BL7-1 TOP SLIT  
LAB DATA

9-8-05  
J.M., L.G.

(X)

1.750 1/2 Body  
1.750  
17.700  
17.626  
15.000  
15.186  
16.932  
16.932  
- 17.682 COS

CHANGED TO BOTTOM  
SEE NEW "X" SHEET

A)	B)	C)	D)	C-D
16.595	16.567	14.486	4.558	
1.000	1.000	1.000	1.500	
17.595	17.567	15.486	4.058	
17.682	17.682	17.682	2.196	
-1.087	-1.115	-2.196	+1.862	
-1.950	1.950	-1.950	-1.950	
<b>-2.037</b>	<b>-2.065</b>	<b>-4.146</b>	<b>-.088</b>	

(Z) 17.905 DIS EDGE  
(-) 1.400 to APER.  
+18.305 COS

A)	B)	C)	D)
15.735	15.649	17.639	17.700
1.000	1.000	1.000	1.000
16.735	16.649	18.639	18.700
18.305	18.305	18.305	18.305
<b>+1.570</b>	<b>+1.656</b>	<b>-.334</b>	<b>-.395</b>

SSRL  
BL7-1 BOTTOM SLIT

9-12-05  
J.M., L.G.

$$\begin{array}{r} \textcircled{X} - 1.200 \text{ (H) SIDE OF BODY} \\ - 1.200 \\ + 16.932 \text{ READ} \\ + 15.732 \text{ LOS} \end{array}$$

$$\begin{array}{r} \text{(H) } .750 \times 2 \text{ (H) SIDE} \\ - 1.950 \text{ OFFSET} \\ \hline - 1.200 \text{ VAL (H) SIDE} \end{array}$$

$$\begin{array}{r} \text{A) } 16.595 \\ \quad 1.000 \\ \hline \backslash 17.595 \\ \quad 15.732 \\ \hline \backslash \boxed{-1.863} \end{array}$$

$$\begin{array}{r} \text{B) } 16.567 \\ \quad 1.000 \\ \hline \backslash 17.567 \\ \quad 15.732 \\ \hline \backslash \boxed{-1.835} \end{array}$$

$$\begin{array}{r} \text{C) } 14.486 \\ \quad 1.000 \\ \hline \backslash 15.486 \\ \quad 15.732 \\ \hline \backslash \boxed{+.246} \end{array}$$

$$\begin{array}{r} \text{D) } 4.558 \text{ (C-O)} \\ \quad 1.500 \\ \hline \backslash 4.058 \\ \quad 1.246 \\ \hline \backslash \boxed{-3.812} \end{array}$$