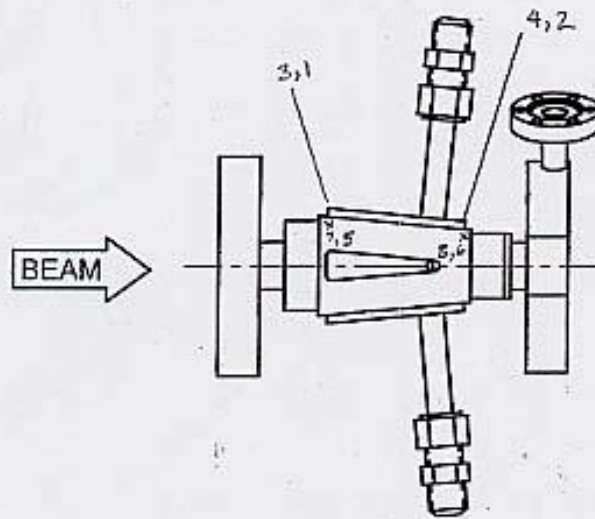


SSRL BE WINDOW

5/05

BEAMLINE 7-1 SN 002



BODY

	X
5	+1.372
6	+1.372
7	-1.354
8	-1.354

	Y
1	+0.889
2	+0.713
3	+0.888
4	+0.713

FLANGES

	(+) X	(-) X	Y
4/S	+1.697	-1.673	+1.680
DIS	+1.627	-1.623	+1.622

SSRL BL7-1
Be WINDOW SN# 002

5-26-05
J.M., L.G.

(X)

check
Jan

O/S) 1.363 1/2 BODY

U/S) 1.363

1.532

1.541

2.400

2.371

(6) 1.738 5/8

(5) 1.738 1/2

+ 3.110 LOS

8.701 REF

5.600 = ϕ

APERTURE

(+) 5.600

.689

6.289

- .010

(-) 5.600

.689 1/2 BODY

4.911 BULK IN

- .007

$\bar{m} = -.009$

LOS = +.009

5.600 REF. ϕ

5.591 = ϕ OF APERTURE

8.701 = BULK IN FOR BODY & FLANGES

+ 3.110 LOS

FLANGES

N/S) UP SIDE

1.413

3.110

+1.697

O/S)

1.483

3.110

+1.627

(-) SIDE

U/S) 3.370 DIA

1.697

-1.673

N/S) 3.250

1.627

-1.623

BODY

5) 3.110

1.738

+1.372

6) 3.110

1.738

+1.372

7) 2.726

1.372

-1.354

8) 2.726

1.372

-1.354

SSRL BL7-1
BR WINDOW SN002

5-26-05
J.M., L.G.

(Y)

NO ROLL @ APERTURE

+1.079

-1.079 HI = \emptyset

9.168 = ϕ ON REF.

13.548

+4.380 HI

check
4m

FLANGES

u/s) 2.700
4.380

+1.680

d/s) 2.758
4.380

+1.622

BOOY

1) 3.491
4.380

+0.889

2) 3.667
4.380

+0.713

3) 3.492
4.380

+0.888

4) 3.667
4.380

+0.713