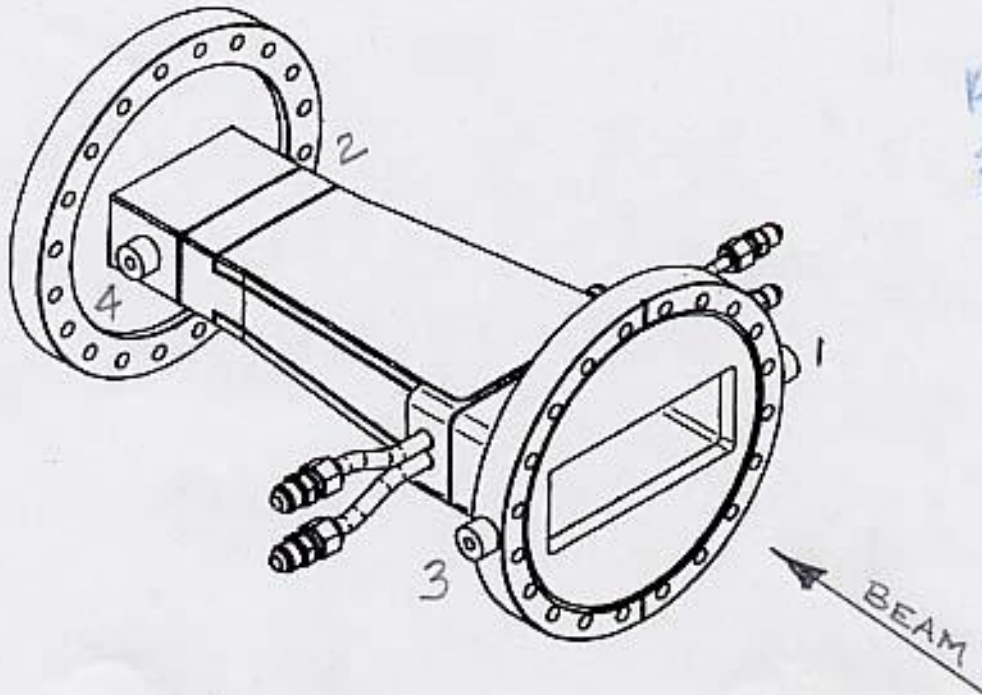


SSRL  
B/L 6-2 SECOND MASK

3/20/03  
F.B., L.G.

KM  
3/21/03



	X	Y	Z
1	-5.484	-.001	-6.554
2	-3.263	-.013	+5.284
3	+5.471	-.004	-6.556
4	+3.243	-.023	+5.330

LAB DATA  
SSRL B/L 6-2 SECOND  
MASK

3/4/03

F.G., L.G.

(X) 7.980¢

2.644  
3.990 1/2 FLANG

- 6.634 LOS

52.000

45.366¢

1.020 1/2 u/s - (2.040 MEASURED GAP)

46.386 - SIDE FOUND - 004

2.040

44.346 + SIDE - 006

$\bar{m} = -004$

45.366

45.370 = ¢

52.000

- 6.630 LOS

DIS

45.366¢

.354 1/2 DIS - (.708)

45.720 - SIDE - 002

.708

45.012 + SIDE - 005

1) 0.146

1

1.146

6.630

-5.484 ✓

2) 2.367

1

3.367

6.630

-3.263 ✓

3) mic'd 1-2

= 11.455

5.484

5.971

.5

+5.471 ✓

4) mic'd 3-4

= 7.006

3.263

3.743

.5

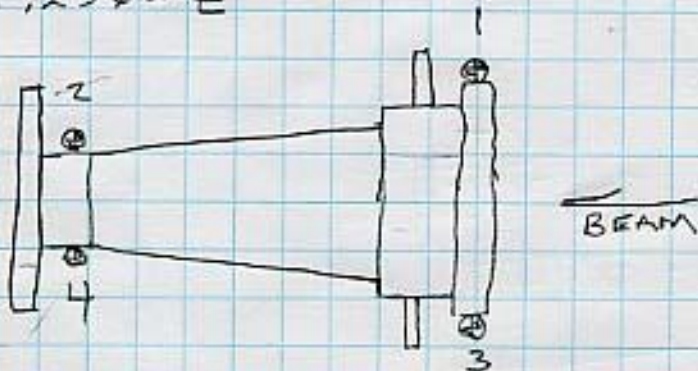
+3.243 ✓

29  
3/03

Y

u/s

$$\begin{array}{r}
 \text{Bot No Roll} \\
 4.844 \text{ REF.} \\
 .824 \text{ u/s GAP} \\
 \hline
 5.668 \text{ to TOP } +2 \quad =2 \\
 .412 \text{ } \frac{1}{2} \text{ GAP} \\
 \hline
 5.256 = \phi
 \end{array}$$



D/S

$$\begin{array}{r}
 5.256 = \phi \\
 .138 \text{ } \frac{1}{2} \text{ D/S SMALL APER.} \\
 \hline
 5.394 \text{ to TOP No Roll } +.008 \\
 .276 \text{ GAP} \\
 \hline
 5.118 \text{ to Bottom No Roll } +.006
 \end{array}$$

GAP .278

$$\begin{array}{r}
 5.256 = \phi \\
 .139 \text{ } \frac{1}{2} \text{ GAP} \\
 \hline
 5.117 \text{ to Bot set to zero}
 \end{array}$$

u/s & D/S  $\phi = 5.256$

9.947 READ

$$5.256 = \phi$$

$$+4.691 \text{ HI } \checkmark$$

1) 
$$\begin{array}{r}
 3.692 \\
 1 \\
 \hline
 4.692 \\
 4.691
 \end{array}$$

$$\boxed{-0.001} \checkmark$$

2) 
$$\begin{array}{r}
 3.704 \\
 1 \\
 \hline
 4.704 \\
 4.691
 \end{array}$$

$$\boxed{-0.013} \checkmark$$

3) 
$$\begin{array}{r}
 3.695 \\
 1 \\
 \hline
 4.695 \\
 4.691
 \end{array}$$

$$\boxed{-0.004} \checkmark$$

4) 
$$\begin{array}{r}
 3.714 \\
 1 \\
 \hline
 4.714 \\
 4.691
 \end{array}$$

$$\boxed{-0.023} \checkmark$$

# LAB DATA

②

SSRL # 6-2 SECOND MARK

3/4/03  
F.G., L.G

BUCK-IN ON U/S FLANGE

Values 7.024

$$\begin{aligned} \text{Length} &= 14.047 \div 2 \\ &= 7.024 \checkmark \end{aligned}$$

- 1ST FAR = 17.000
- 1ST NEAR = 17.080
- 2ND FAR = 18.000
- 2ND NEAR = 17.911
- S/R FAR = 17.473
- S/R NEAR = 17.473
- LOS = 24.497 ✓

1)

$$\begin{array}{r} 16.943 \\ \underline{1} \\ 17.943 \\ 24.497 \\ \hline -6.554 \checkmark \end{array}$$

2)

$$\begin{array}{r} 10.410 \\ \underline{19.371} \\ 29.781 \\ 24.497 \\ \hline +5.284 \checkmark \end{array}$$

3)

$$\begin{array}{r} 16.941 \\ \underline{1} \\ 17.941 \\ 24.497 \\ \hline -6.556 \checkmark \end{array}$$

4)

$$\begin{array}{r} 10.456 \\ \underline{19.371} \\ 29.827 \\ 24.497 \\ \hline +5.330 \checkmark \end{array}$$

28  
3/03