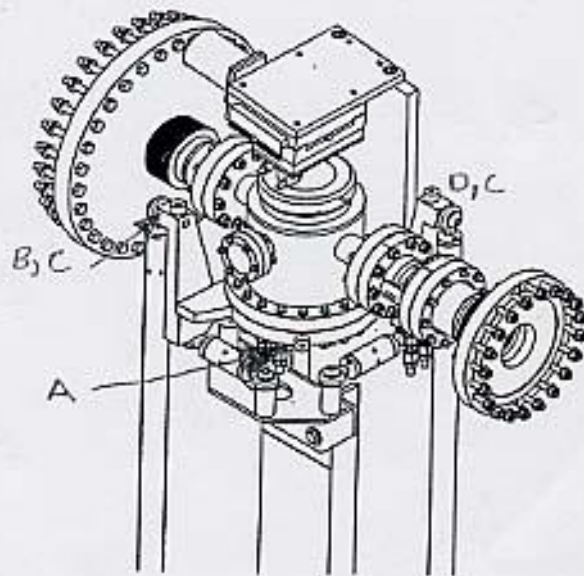


B/L 6-2 PHOTON BPM



	X	Y	Z
A	+3.898 ✓	-4.647 ✓	-3.901 ✓
B	+4.920 ✓	+2.662 ✓	+4.006 ✓
C	-5.048 ✓	+2.527 ✓	-3.990 ✓
D	-5.043 ✓	+2.527 ✓	+4.024 ✓

SSRL SPEAR 3
B/L 6-2 PHOTON BPM

9-2-03
M.R., L.G.

(X)

u/s) +.315
 D/s) +.318
~~+ .010~~
~~X~~
 -.035
 -.040
 -.053 s/r
 -.056 s/r - .052
 -.041
 -.044
 .274 LOS (B, C, D)

c) -5.048
 D) -5.043 ✓ 9/4/03
~~32,000 + 1~~
~~31,510 + 1~~ MR
~~30,000 + 1~~
~~29,265 + 1~~
 30,268 - 1
 30,263 - 1 29,142 + 1
 29,360 - 1
 29,355 - 1 28,351
 29,329 - 1 24,281 LOS
 29,324 - 1 FOR "A"

A) 19.383
 1.000
 20.383 ✓
 24.281 LOS
 +3.898 ✓

B) +3.694
 1.000
 4.694 ✓
 .274
 +4.920 ✓

C) -4.324
 1.000
 5.324 ✓
 .276
 -5.048 ✓

D) 4.317
 1.000
 5.317 ✓
 .274
 -5.043 ✓

SSRL SPEAR3
B/L 6-2 PHOTON BPM

9-2-03
M.R., L.G.

(7)

u/s END OF BLADE
11.855 READ
1.969 1/2 BLADE 50MM
-13.824 LOS

✓ 9/2/03
MR

A) 8.923
1.000

9.923 ✓
-13.824

-3.901 ✓

B) 16.830
1.000

17.830 ✓
-13.824

+4.006 ✓

C) 8.834
1.000

9.834 ✓
-13.824

-3.990 ✓

D) 16.848
1.000

17.848 ✓
-13.824

+4.024 ✓

SSRL - SPEAR 3

9-2-03
M.R., L.G.

B/L 6-2 PHOTON BPM

Y) GUN 1 $\Delta = .394''$ GUN 2 GUN 3

9.170	9.564	19.721
+ .029 to u/s END	+ .029 to o/s END	9.396
<u>9.199</u> ✓	<u>9.593</u> ✓	<u>10.325 HI</u> ✓
	9.199 ✓	
	<u>18.792</u> / 2 = 9.396 ✓	

A) 13.972
1.000
14.972 ✓
10.325
-4.647 ✓

B) 6.663
1.000
7.663 ✓
10.325
+2.662 ✓

C) 6.798
1.000
7.798 ✓
10.325
+2.527 ✓

D) 6.798
1.000
7.798 ✓
10.325
+2.527 ✓

u/s) 14.525 o/s) 14.518 (+) 14.571 (-) 14.476