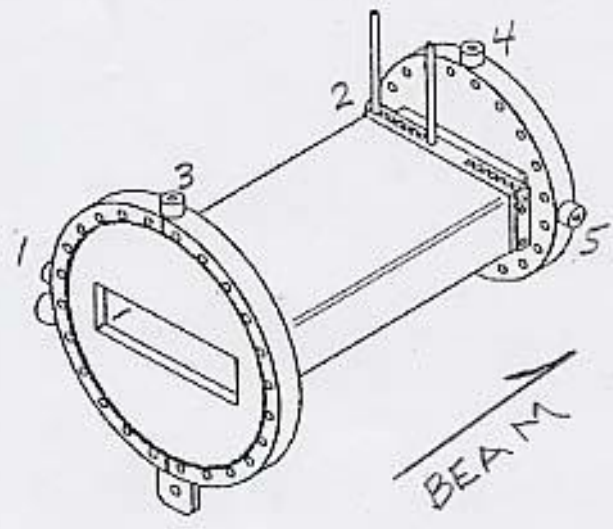


SSRL SPEAR 3  
B/L 5 PRE-MASK

8/26/03  
M.R., L.G.



	X	Y	Z
1	+6.480	+0.022	+1.473
2	+5.473	-0.012	+13.848
3	-0.003	+6.478	+1.475
4	+0.022	+6.475	+13.889
5	-5.475	+0.063	+13.859

(X)

d/s FL) 3.983  
 u/s FL) 4.985  
 20.000  
 18.722  
 16.000  
 15.425  
  
 18.430 ✓  
 17.428 ✓  
 + 22.413 LOS  
 45.000 REF.  
 -----  
 22.587 = C ✓

APERTURES  
 u/s  
 6.185/2 = 3.093 ✓  
 (+) SIDE  
 - .788 LOS  
 3.093  
 -----  
 3.8815/R ✓  
 3.880  
 -----  
 - .001 ✓

1.575  
 d/s  
 1.575/2 = .788 ✓  
 22.587  
 .788  
 -----  
 21.799 s/R to (-) SIDE ✓  
 0 ✓

1) 14.933  
 1.000  
 -----  
 15.933  
 22.413  
 -----  
 +6.480 ✓

2) 15.940  
 1.000  
 -----  
 16.940  
 22.413  
 -----  
 +5.473 ✓

3) 21.416  
 1.000  
 -----  
 22.416  
 22.413  
 -----  
 -.003 ✓

4) 21.391  
 1.000  
 -----  
 22.391  
 22.413  
 -----  
 +.022 ✓

2-5) 11.448  
 .500 t/o's  
 -----  
 10.948  
 5.473  
 -----  
 -5.475 ✓

HLI  
 8-6-03

LAB DATA

SSRL B/L 5  
PRE - MASK

8/6/03  
MR LG KC

Y)  
APERTURE D/S  $1.175/2 = .588$  ✓ w/s  $1.846/2 = .923$  ✓

- 0.088 TO BOTTOM

.588 1/2 APER

- .500 H.I. ✓

.923

.423 TO BOTTOM W/S APERTURE ✓

GUN 1

6.792 REF

-.500

7.292 = ♀ ✓

GUN 2

16.395

7.292

9.103 H.I. ✓

$9.970/2 = 4.985$  ✓

U/S FLANGE

$7.966/2 = 3.983$  ✓

D/S FLANGE

9.103

4.985

4.118 ✓

4.120 -002 ✓

9.103

3.983

5.120 ✓

5.118 +002 ✓

- |                 |                 |                 |                 |               |
|-----------------|-----------------|-----------------|-----------------|---------------|
| 1) $8.081$      | 2) $8.115$      | 3) $1.625$      | 4) $1.628$      | 5) $8.040$    |
| <u>1. —</u>     | <u>1. —</u>     | <u>1. —</u>     | <u>1. —</u>     | <u>1. —</u>   |
| 9.081           | 9.115           | 2.625           | 2.628           | 9.040         |
| 9.103           | 9.103           | 9.103           | 9.103           | 9.103 ✓       |
| <b>+0.022</b> ✓ | <b>-0.012</b> ✓ | <b>+6.478</b> ✓ | <b>+6.475</b> ✓ | <b>+0.063</b> |

2H  
8/03

LAB DATA

SSRL B/L 5  
PRE-MASK

8/6/03  
L.G., L.J., H.I.

+ 19.871 LBS FROM U/S FLANGE

$$\begin{array}{r} 1) \ 18.398 \\ \ 1.000 \\ \hline 19.398 \\ 19.871 \end{array}$$

+1.473

$$\begin{array}{r} 2) \ 5.031 \\ \ 1.000 \\ \hline 6.031 \\ 19.871 \end{array}$$

+13.840

$$\begin{array}{r} 3) \ 18.396 \\ \ 1.000 \\ \hline 19.396 \\ 19.871 \end{array}$$

+1.475

$$\begin{array}{r} 4) \ 4.982 \\ \ 1.000 \\ \hline 5.982 \\ 19.871 \end{array}$$

+13.889

$$\begin{array}{r} 5) \ 5.012 \\ \ 1.000 \\ \hline 6.012 \\ 19.871 \end{array}$$

+13.859

H.I.  
8-6-03