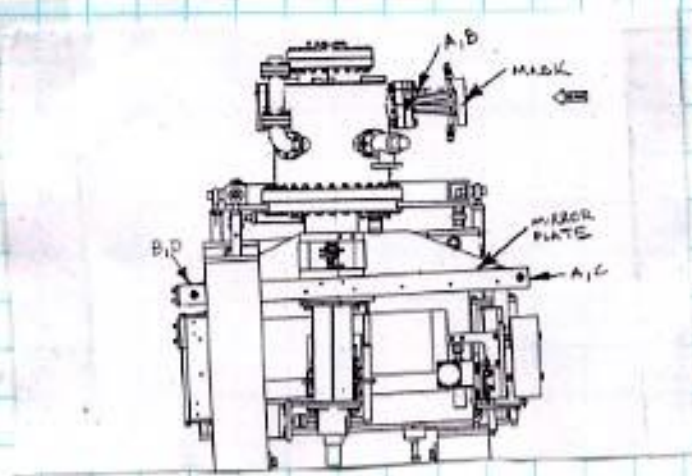


SSRL BIL'S  
5-1/5-2 MØ MIRROR

5/4/04  
J.Mc., L.G.



MIRROR PLATE

	X	Y	Z
A	+4.028	-17.777	-17.308
B	+3.960	-17.773	+13.461
C	-3.972	-17.777	-17.331
D	-4.040	-17.772	+13.443

MASK

	X	Y
A	+3.275	+0.054
B	-3.225	-0.051

(Y)

SSRL  
B/L 5  
5-1/5-2 M~~Y~~ MIRROR

4-26-04  
J.M., L.G.

$$\begin{array}{r} 14.212 \\ 11.260 \text{ \& } \\ \hline + 2.952 \text{ HF} \end{array}$$

TILT PLATE

A) 
$$\begin{array}{r} 19.729 \\ 1.000 \\ \hline 20.729 \\ 2.952 \\ \hline -17.777 \end{array}$$

B) 
$$\begin{array}{r} 19.725 \\ 1.000 \\ \hline 20.725 \\ 2.952 \\ \hline -17.773 \end{array}$$

C) 
$$\begin{array}{r} 19.729 \\ 1.000 \\ \hline 20.729 \\ 2.952 \\ \hline -17.777 \end{array}$$

D) 
$$\begin{array}{r} 19.724 \\ 1.000 \\ \hline 20.724 \\ 2.952 \\ \hline -17.772 \end{array}$$

(X)

SSRL  
B/L 5  
5-1/5-2 MØ MIRROR

30 mm

check  
4-27-4  
Jm

TILT PLATE

.591  
.591  
22.000  
22.243  
28.000  
27.790  
25.219 S/R  
25.219 ✓

A) 20.782	B) 20.850
1.000	1.000
21.782	21.850
25.810	25.810
<b>+4.028</b>	<b>+3.960</b>

+25.810 LOS

C) 6.000 PLATE	D) 6.000
3.028	2.960
2.972	3.040
1.000	1.000 r/B
<b>-3.972</b>	<b>-4.040</b>

(Z)

DISFACE OF MIRROR

26.100  
4.488 1/2 MR.  
+30.588 LOS

A) 7.646	B) 16.127	C) 7.669	D) 16.145
40.250	1.000	40.250	1.000
47.896	17.127	47.919	17.145
30.588	30.588	30.588	30.588
<b>-17.308</b>	<b>+13.461</b>	<b>-17.331</b>	<b>+13.443</b>

(Y)

# SSRL B/L S 5-1/5-2 MØ MIRROR

4-26-04

7.033  
~~40. - 100~~  


---

~~47.033~~  
~~41.000 to B/L~~  


---

~~6.033 HI~~

22.817 to TILT PLATE  
 -16.765 BELOW B/L  


---

 6.052  
 17.307 REF. BLADE  


---

 11.255 =  $\phi$

MIRROR  
 230mm = 9.055"  
 9.055 - .079 = 8.976"  
 $\phi = 2^\circ$   
 $\sin 2^\circ \cdot 4.488 = \pm .157$ "

O/S EDGE OF MIRROR  
 11.255  
 (+) .157  


---

 11.412 S/R

U/S EDGE  
 11.255  
 (-) .157  


---

 11.098 S/R

13.250 FLANGE

$\phi$  INZ - 9.070"  
 HI - .004  
 $\sin 9^\circ \times 6.625 = \pm .231$   
 O/S = -8.839 S/R  
 U/S = -9.297 S/R  
 $\phi \pm$   
 9.066 S/R 9.066 S/R

u/s)

(+) (-)  
 +.005 +.004

d/s  
 (+) (-)  
 +.005 +.004  
 RI = +.005  
 -.005 HI  
 11.255 REF.  


---

 11.260 =  $\phi$

-.161 HI  
 u/s) 9.140 S/R + 55  
 - 8.916 S/R 8.866  
 + 8.916 S/R 8.907  
 + 153 HI  
 O/S 8.992 S/R  
 8.956

CHIN GUARD  
 S/B +.015  
 GUW (+).005  


---

 +.020 S/R

+ (-)  
 +.001

DIS FLAT  
+1.25

SSRL  
BIS  
5-11 5-2 MØ MR. TANK

checked  
4-29-04 JM

4-29-04  
J.M., L.G.

10.710  
5.356  
1.244  
6.605

A) 31.502  
1. —  
32.502  
17.777  
14.725

TILT PLATE  
B) 31.504  
1  
32.504  
17.777  
14.727

B) 31.499  
1  
32.499  
17.773  
14.726

D) 31.498  
1  
32.498  
17.772  
14.726

M = 14.726 HI

A) 14.726  
47.054  
14.672-1  
13.672 1/2

B) 14.726 910  
(-) 0.051  
14.777  
-1  
13.777 1/2

FLANGES  
14.726  
2.310 R  
12.416

DIS 12.416  
462  
11.954 1/2

X

B) + 3.960  
A) + 4.028  
11.000 + 1  
12.745 + 1  
16.000 + 1  
16.202 + 1  
17.875 - 1 = 16.875 1/2

TANK FLANGES

4.620 DIA  
2.310 RAD

w/s) 21.721  
2.310

ds) 19.411 1/2

19.411 1/2

+ 21.835 LOS  
MOUSE WHEEL

16.868 + 1  
16.767 + 1  
16.000 + 1  
16.166 + 1

17.761 - 1

17.693 - 1

+ 21.721 LOS

A) 21.721  
3.275

18.446

17.446 1/2

17.452

345-  
446

SSRL  
B/L S  
5-1/5-2 MO MIRROR MASK

4-28-04  
J.M., L.G

GUN 1

1.789 REF  
(+) .029 MICAD UP to Bot of SWH (.197")  
GAP  
1.818  
.098  
1.916 = Q

GUN 2  
16.670 REF.  
1.916 = Q  
14.754 HI

13.5  
+  
A) 13.700  
1.000  
14.700  
14.754  
+ .054

13.854  
-  
B) 13.805  
1.000  
14.805  
14.754  
- .051

FLANGE  
14.754  
2.305 RAD  
12.4495/R 4.610  
12.446  
+ .003

(X) GUN 1  
1.790  
(+) .042 MIC UP  
1.832 to Bot  
.098 1/2 GAP  
1.930 = Q

(TOP)  
A) 10.462  
1.000  
11.462  
14.737  
+ 3.275

B) 7.000 A-B  
-.500  
6.500  
3.275  
- 3.225

GUN 2  
16.653  
1.916 Q  
14.737 = HI