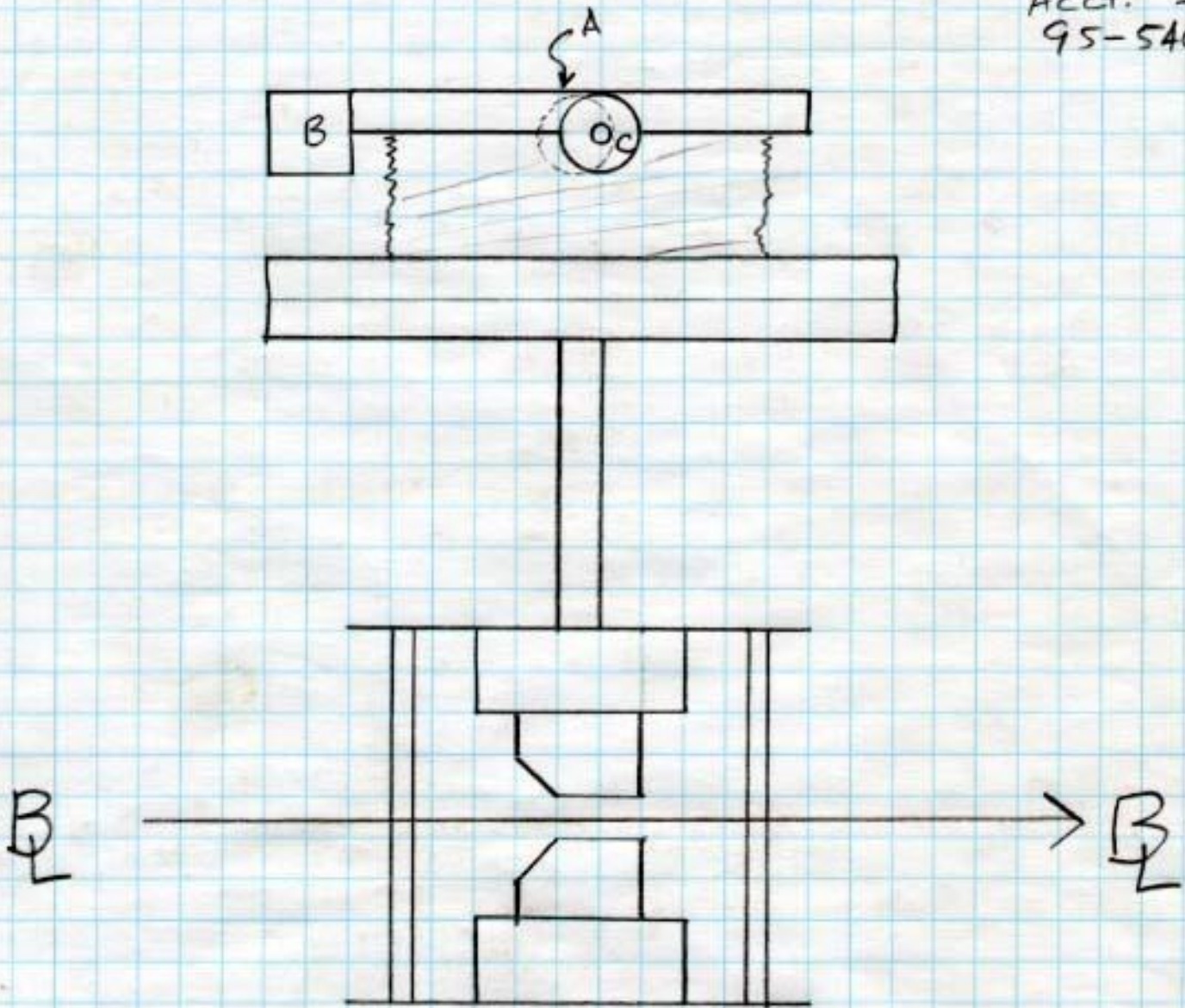


Beam Line 5 BPM

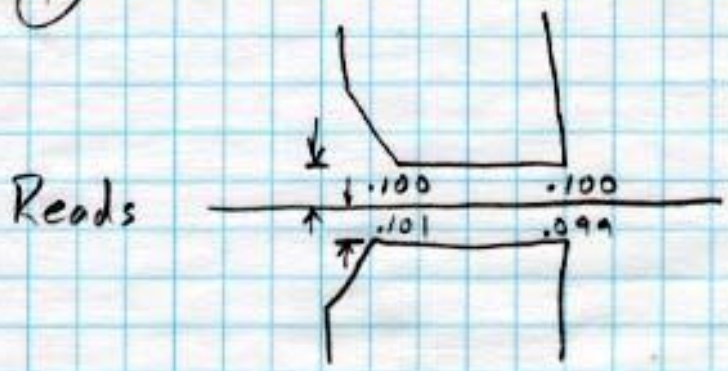
26 JUL 2004
C. Banuelos
H. Imfeld

Acct. #
95-5402-2



	Y	X
A	11.077	4.303
B	11.073	-0.106
C	10.991	-4.415

(9)



HI = 0.000 no pitch

	<u>C</u>
HI	0.000
READ	<u>-9.991</u>
S/T	9.991
FT	<u>-1.000</u>
VAL	-10.991

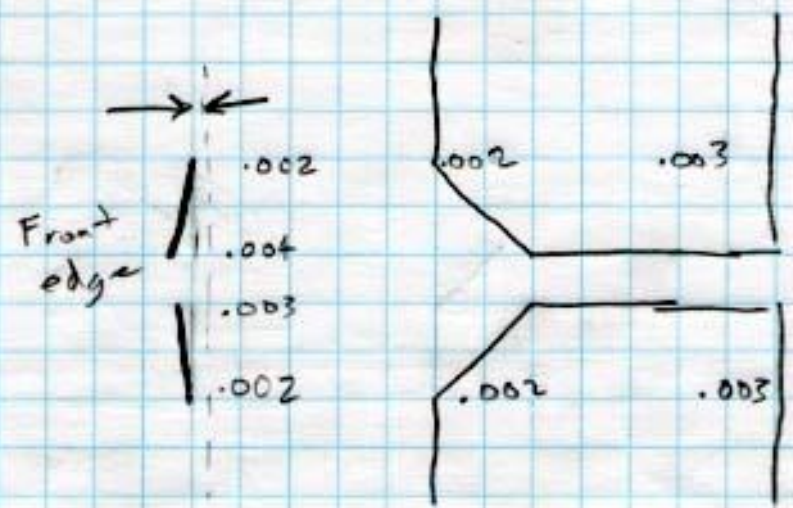
New Gun

	<u>C</u>
READ	8.432
VAL	<u>10.991</u>
S/T	19.423
FT	<u>1</u>
HI	20.423

	<u>A</u>
HI	20.423
READ	<u>8.346</u>
S/T	12.077
FT	<u>1</u>
VAL	11.077

	<u>B</u>
	20.423
	<u>8.350</u>
	12.073
	<u>1</u>
	11.073

⊗



Gun $B = -0.003$

no yaw
.001" roll

	<u>B</u>
LOS	-0.003
READ	.100
VAL	<u>-0.103</u>

New Gun Set Blades @ 10.000 Los @ 9.997
 Move to 16.510
 LOS = -(16.510 - 9.997) = -6.513

	<u>B</u>	<u>C</u>
LOS	-6.513	-6.513
READ	5.407	1.098
SIT	1.106	-5.415
FT	<u>1</u>	<u>1</u>
VAL	-0.106 ✓	-4.415

New Gun @ 2.880
 LOS = 9.997 - 2.880 = 7.117

	<u>B</u>	<u>A</u>
LOS	7.117	7.117
READ	6.225	1.814
SIT	0.892	5.303
FT	<u>1</u>	<u>1</u>
VAL	-0.108	4.303