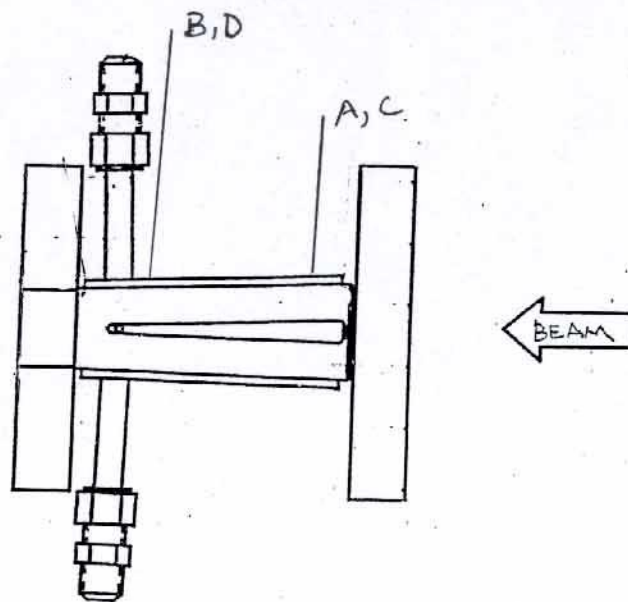


BL 4-3 MONO APERTURE MASK

BODY

	X
u/s(+)	+1.361
d/s(+)	+1.361
u/s(-)	-1.365
d/s(-)	-1.365

	Y
A	+ .811
B	+ .747
C	+ .807
D	+ .740

FLANGES

	(+) X	(-) X	Y
u/s	+2.305	-2.305	+2.303
d/s	+2.245	-2.255	+2.254

X IS TO THE SIDE OF THE BODY

Y IS TO THE TOP SURFACE OF BODY (AT
 SCRIBE LINES A-C .5" DIS OF FLANGE
 B, D .9" U/S OF FLANGE

SSRL
BL 4-3 MONO APERTURE

5-16-07
J.M., L.L.

(X)

u/s) 1.363
D(s) 1.363
5.000
5.027
8.000
7.937
5.900 s/r
7.2630 S

FLANGES

u/s FLANGE
4.610 DIA
2.305 R
FLAT
4.500/2 = 2.250
BODY
2.725/2 = 1.363

(+) u/s) 4.956
7.263
+ 2.307
+ 1.002
+ 2.305
A) 1.361

(+) D(s) 5.016
7.263
+ 2.247
+ 1.002
+ 2.245
B) 1.361

u/s (-) 2.305
4.610
- 2.305

D(s) (-) 2.245
4.500
- 2.255

C) -1.365

D) -1.365

1/2 BODY = 1.363

± 1.002

APERTURE

7.2630 S
20.000
12.737 = ±

(+) 12.737
+ 1.669
13.406 s/r

(-) 12.737
+ 1.669
12.068 s/r

+ 1.002

+ 1.002

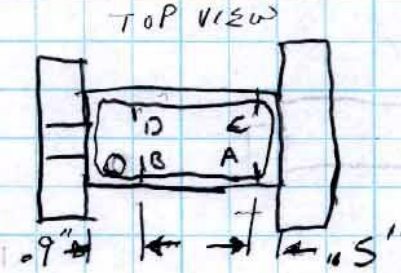
± 1.002

SSRL
 BL 4-3 MONO APERTURE
 LAB DATA

5-16-07
 J.M., L.G.

④

+6.460 HI



"X" READ ON SIDE
 OF BODY @ Y LOCATIONS
 "Y" READ ON ELEVATED TIP
 SURFACE @ SCRIBE
 LINES

FLANGES

uls) 4.157
 6.460

+2.303

ds) 4.206
 6.460

+2.254

A) 5.649
 6.460

+1.811

B) 5.713
 6.460

+1.747

C) 5.653
 6.460

+1.807

D) 5.720
 6.460

+1.740