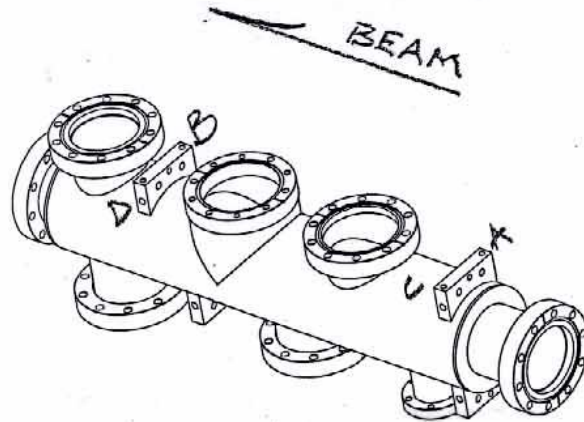


SSRL
VERT. SLIT TANK B/L 9-3

8-31-64

SCANNED



BL 9-3 ASSEMBLY INSTALLED ON BL 4-3

TB	X	Y	Z
A	-1.248	+4.161	-9.165
B	-1.229	+4.120	+6.569
C	+1.247	+4.154	-9.166
D	+1.264	+4.110	+6.568

THIS IS NOW 4-3

SSRL B/L 9-3
VERT. SLIT TANK

8-31-04
J.M., L.G.

Y

$$\begin{array}{r} 8.916 \\ 1.800 \text{ RAD} \\ \hline 10.716 \text{ HI} \end{array}$$

Check
or

SCANNED

A) 5.555
1.000

6.555
10.716

B) 5.596
1.000

6.596
10.716

C) 5.562
1.000

6.562
10.716

D) 5.606
1.000

6.606
10.716

+4.161

+4.120

+4.154

+4.110

X

$$\begin{array}{r} 20.350 \\ 1.800 \\ \hline -22.150 \text{ LOS} \end{array}$$

$$\begin{array}{r} 19.921 \\ 19.932 \\ 20.000 \\ \hline 19.996 \end{array}$$

A) 19.902
1.000

20.902
22.150

B) 19.921
1.000

20.921
22.150

C) 22.397
1.000

23.397
22.150

D) 22.414
1.000

23.414
22.150

-1.248

-1.229

+1.247

+1.264

Z

$$\begin{array}{r} 3.480 \\ 29.780 \\ \hline 33260/2 = 16.630 \text{ LOS} \end{array}$$

A) 16.234 A-B
1.500

15.734
6.569

B) 8.811
1.250

10.061
16.630

C) 16.234 C-D
1.500

15.734
6.568

D) 8.812
1.250 FLAT FT.

10.062
16.630

-9.165

+6.569

-9.166

+6.568