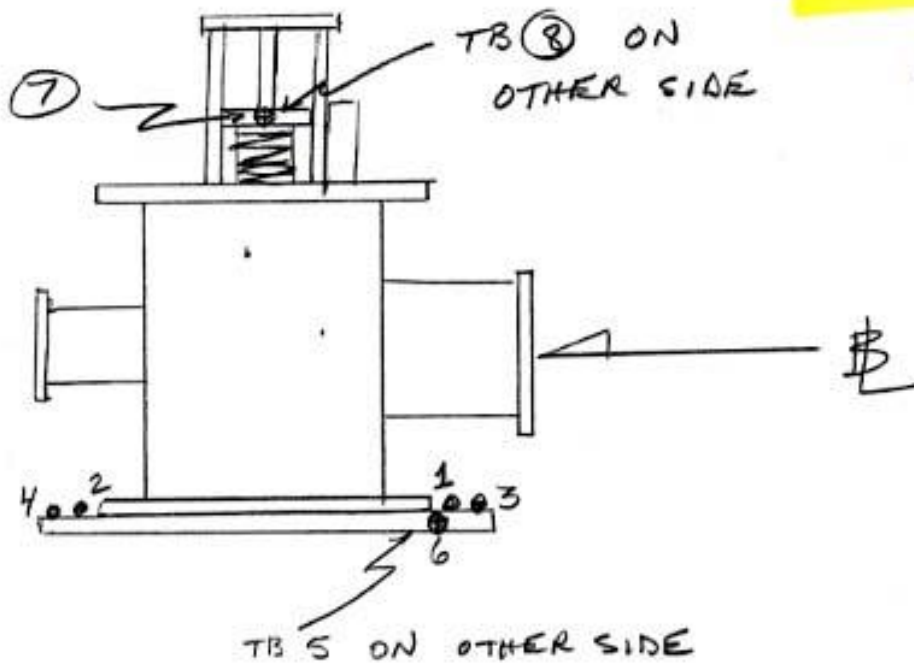


SSRL MOVEABLE MASK  $\Phi$  1



KM  
3-17-03

TB	X	Y	Z
1	-4.903	-5.720	-6.065
2	-4.946	-5.727	+3.922
3	+5.086	-5.723	-6.010
4	+5.043	-5.732	+3.976
5	-6.415	-7.231	-5.079
6	—	-7.214	—
7	+3.648	+17.415	-0.052
8	-3.557	+17.440	-0.027

MASK FIDUCIALIZED IN UP POSITION.  
CENTER OF DIS FLANGE USED AS  
‡ REFERENCE.



# SSRL MOVEABLE MASK #1

① of 3

3/14/03  
M.R., F.G.

	BACK-IN VALUES $\phi$	D/S	FLANGE		
(-) 1ST	F. = 13 + 1 + 1	16.745	= 14	✓ 3/17/03 me	2
(+) 1ST	N. = 12.982 + 1		= 13.982		
2ND	F. = 12 + 1		= 13		4
2ND	N. = 12.095 + 1		= 13.095		<del>16.277</del>
SIR	F. = 13.841 - 1		= 12.841 ✓		12.845
SIR	N. = 12.841 - 1		= 11.841 ✓		12.845
					1.795 + 0.048 1.543

## PITCH

## YAW

TOP	BOT	(+)	(-)
19.320	19.316	19.347	19.347
19.395	19.398	19.386	19.400
19.401	19.405	19.400	19.404

1	2	3	4	D/S SIDE MASK
26.263	16.276	26.208	16.222	19.693
<u>1</u>	<u>1</u>	<u>1</u>	<u>1</u>	<u>1</u>
27.263 ✓	17.276 ✓	27.208 ✓	17.222 ✓	20.693 ✓
21.198	21.198	21.198	21.198	+ 21.198 = 42.396
<u>-6.065</u> ✓	<u>+3.922</u> ✓	<u>-6.010</u> ✓	<u>+3.976</u> ✓	
5	6	7	8	
25.277		20.250	20.225	
<u>1</u>		<u>1</u>	<u>1</u>	
26.277 ✓		21.250 ✓	21.225 ✓	
21.198		21.198	21.198	
<u>-5.079</u> ✓		<u>-0.052</u> ✓	<u>-0.027</u> ✓	

SSRL

② of 3

3/14/03

M.R., FG

Y)

1 Max. MASK

Top Flange

<u>U/S</u>	<u>D/S</u>	<u>(+)</u>	<u>(-)</u>
3.545	3.538	3.533	3.545

✓ 3/17/03  
MR



D/S Flange  
 12.265  
 3.370  
 15.635 = H.J

Top Slot  
ROLL

<u>(+)</u>	<u>(-)</u>
+0.037	+0.054
+0.040	+0.053
+0.047	+0.047
+0.047	+0.048
∅	∅
+0.005	+0.008
-0.003	+0.007
<del>+0.000</del> ∅	+0.004
+2	+5

TURTLE  
 1.727  
 57  
 58.727 ✓  
 15.635  
 -43.092 ✓  
 1.472  
 Top of Slot 43.564 ✓

Below  
FE

<u>1</u>	<u>2</u>	<u>3</u>	<u>4</u>	<u>5</u>
20.355	20.362	1.987	20.367	21.866
<u>1</u>	<u>1</u>	<u>19.371</u>	<u>1</u>	<u>1</u>
20.355 ✓	21.362 ✓	21.358 ✓	21.367 ✓	22.866 ✓
15.635	15.635	15.635	15.635	15.635
<u>-5.720</u> ✓	<u>-5.727</u> ✓	<u>-5.723</u> ✓	<u>-5.732</u> ✓	<u>-7.231</u> ✓

<u>6</u>	<u>7</u>	<u>8</u>
3.478	1.530	1.555
<u>9.371</u>	<u>.250</u>	<u>.250</u>
22.849 ✓	1.780 ✓	1.905 ✓
15.635	15.635	15.635
<u>-7.214</u> ✓	<u>17.415</u> ✓	<u>17.440</u> ✓

55KL  
# 1 Mol Mask

③ of 3  
3/14/03  
M.R., F.G.

X)

D/S Flange

$$\text{LOS} = - \frac{17.864}{3.370} - 21.234 \checkmark$$

Ref @ 70"  
blades

✓ 3/17/03  
ma

⊕

$$\frac{70.}{48.766 \checkmark} - 2.520$$

$$51.286 \checkmark \quad (-) \text{ side of slot}$$

MIC'D 7-8  
7.705

(-)

$$+0.043 \\ +0.013$$

1

2

3

4

5

$$\begin{array}{r} 15.331 \\ \hline 16.331 \checkmark \\ 21.234 \\ \hline -4.903 \end{array}$$

$$\begin{array}{r} 15.288 \\ \hline 16.288 \checkmark \\ 21.234 \\ \hline -4.946 \end{array}$$

$$\begin{array}{r} 6.949 \\ 19.371 \\ \hline 26.320 \checkmark \\ 21.234 \\ \hline +5.086 \checkmark \end{array}$$

$$\begin{array}{r} 6.906 \\ 19.371 \\ \hline 26.277 \checkmark \\ 21.234 \\ \hline +5.043 \checkmark \end{array}$$

$$\begin{array}{r} 13.819 \\ \hline 14.819 \checkmark \\ 21.234 \\ \hline -6.415 \checkmark \end{array}$$

6

7

8

U/S FL.

$$\begin{array}{r} 7.705 \\ 3.557 \\ \hline 4.148 \checkmark \\ .5 \\ \hline +3.648 \checkmark \end{array}$$

$$\begin{array}{r} 16.677 \\ \hline 17.677 \checkmark \\ 21.234 \\ \hline -3.557 \checkmark \end{array}$$

15.502 FND