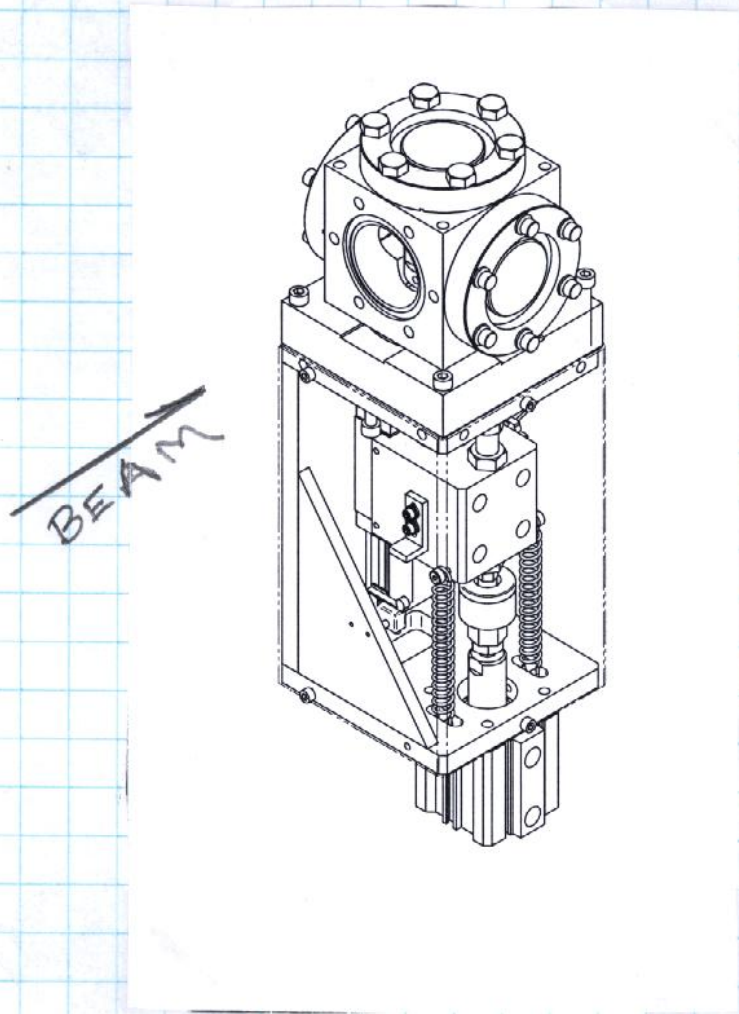


LCLS  
SXR BEAMLINE  
SPECTROMETER ASSY.

3-17-10  
JM, LG



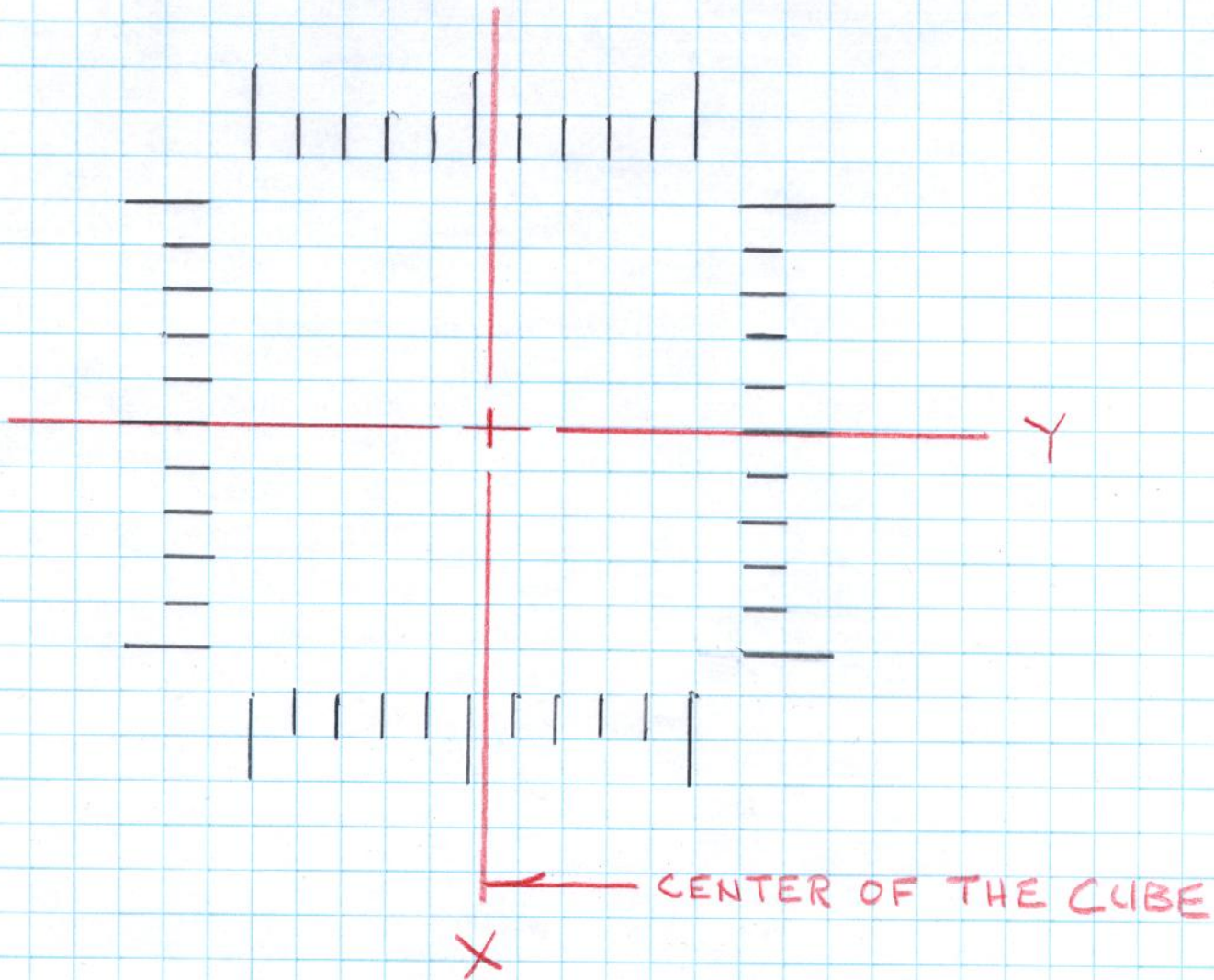
LCLS

3-11-10

SPECT. ASS'Y

J.M., L.G.

YAG CRYSTAL



$X = \pm 0.005$

\* CRYSTAL WAS REPLACED

~~SOME TEST RESULTS~~

LCLS  
SPECT. ASS'Y

3-11-10  
JM, LGL

(Y)

TOP OF CUBE

+ <u>u/s</u>			D/S
4.009	-	4.010	
		+	-
		4.008	4.009

$\bar{m} = 4.009$   
 $1.374 \frac{1}{2}$  CUBE  
 $\backslash$  5.383 HI  
 $\backslash$  5.715 REF.  
 $\backslash$  .332 =  $\phi$

NO ROLL!  
 $\equiv$   
 $\equiv$   
 $\equiv$

(X)

1.374  
 1.374  
 8.000 +1  
 7.930 +1  
 5.000 +1  
 4.998 +1  
 5.912 -1  
 5.912 -1  
 -7.286 LOS  
 2.000 REF  
 $\backslash$  9.286 =  $\phi$

TARGET 4.005