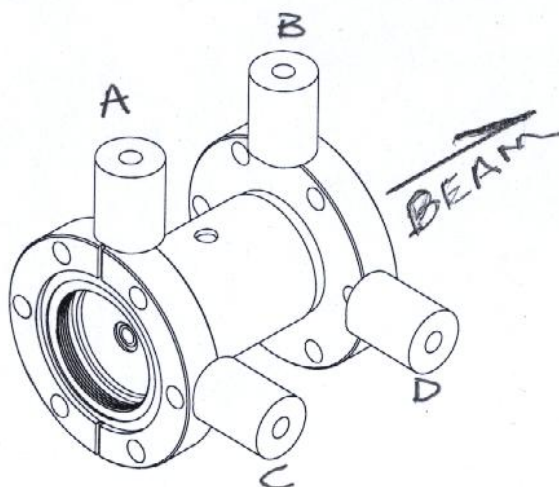


LCLS  
XRAY OPTICS  
SXR COLLIMATOR  
SN12

10-19-09



	X	Y	Z
A	+1.005	3.344	+1.422
B	-1.009	3.341	+2.782
C	-3.341	-.034	+1.412
D	-3.346	-.007	+2.784

LCLS  
XRAY OPTICS  
SXR COLLIMATOR  
SN 2

10-19-89

LAB DATA

JM, LG

(X)

D/S). 090  
U/S). 069

REF BLADE 11.000  
17.973 COS  
28.973 = C

11.009  
17.973  
28.982

~~18.715~~  
~~18.712~~  
18.000  
18.016

YAG  
+1.075  
-.082 -.004

17.812  
17.836  
17.883  
17.904

- 17.973 COS

A) 16.978  
1. —  
17.978  
17.973  
+.005

B) 16.964  
1. —  
17.964  
17.973  
-.009

C) 13.632  
1. —  
14.632  
17.973  
-3.341

D) 13.627  
1. —  
14.627  
17.973  
-3.346

A) 16.978

B)

C)

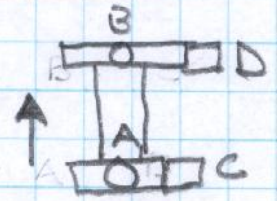
D)

LAB DATA

Y

LCLS  
X RAY OPTICS  
SXR COLLIMATOR  
SN 2

10-19-09  
JM, LG



CENTER FLANGE PINS .264"  $\phi$

u/s

P/S

$$\begin{array}{r} +) 7.167 \\ \quad .132 \\ \hline 7.299 \end{array} \quad \begin{array}{r} -) 7.170 \\ \quad .132 \\ \hline 7.302 \end{array}$$

$$\begin{array}{r} +) 7.167 \\ \quad .132 \\ \hline 7.299 \end{array} \quad \begin{array}{r} -) 7.167 \\ \quad .132 \\ \hline 7.299 \end{array}$$

u/s APERTURE .138  $\phi$

D/S HOLE .180  $\phi$

$$\begin{array}{r} 7.232 \\ \quad .069 \\ \hline 7.301 \text{ HI} \end{array}$$

$$\begin{array}{r} 7.212 \\ \quad .090 \\ \hline 7.302 \end{array}$$

$$\begin{array}{r} \backslash 7.301 \text{ HI} \end{array}$$

$$\begin{array}{r} 19.467 \text{ REF.} \\ \quad 7.301 \\ \hline 12.166 = \phi \end{array}$$

$$\begin{array}{r} \text{YAG} \\ +.082 \\ -.080 \\ \hline \boxed{+1.001} \end{array}$$

$$\begin{array}{r} A) 2.957 \\ \quad 1. \text{---} \\ \hline 3.957 \\ \quad 7.301 \\ \hline \boxed{+3.344} \end{array}$$

$$\begin{array}{r} B) 2.960 \\ \quad 1. \text{---} \\ \hline 3.960 \\ \quad 7.301 \\ \hline \boxed{+3.341} \end{array}$$

$$\begin{array}{r} C) 6.335 \\ \quad 1. \text{---} \\ \hline 7.335 \\ \quad 7.301 \\ \hline \boxed{-.034} \end{array}$$

$$\begin{array}{r} D) 6.308 \\ \quad 1. \text{---} \\ \hline 7.308 \\ \quad 7.301 \\ \hline \boxed{-.007} \end{array}$$

(Z)

LAB DATA

LCLS  
X RAY OPTICS  
SXR COLLIMATOR

10-19-09  
JM, LG

15.420 READ ON U/S FLANGE FACE

-15.420 LOS

A) 14.842

$$\begin{array}{r} 1 \text{ ---} \\ \hline 15.842 \\ 15.420 \end{array}$$

+4.422

B) 17.262

$$\begin{array}{r} 1 \text{ ---} \\ \hline 18.202 \\ 15.420 \end{array}$$

+2.782

C) 14.832

$$\begin{array}{r} 1 \text{ ---} \\ \hline 15.832 \\ 15.420 \end{array}$$

+4.412

D) 17.204

$$\begin{array}{r} 1 \text{ ---} \\ \hline 18.204 \\ 15.420 \end{array}$$

+2.784